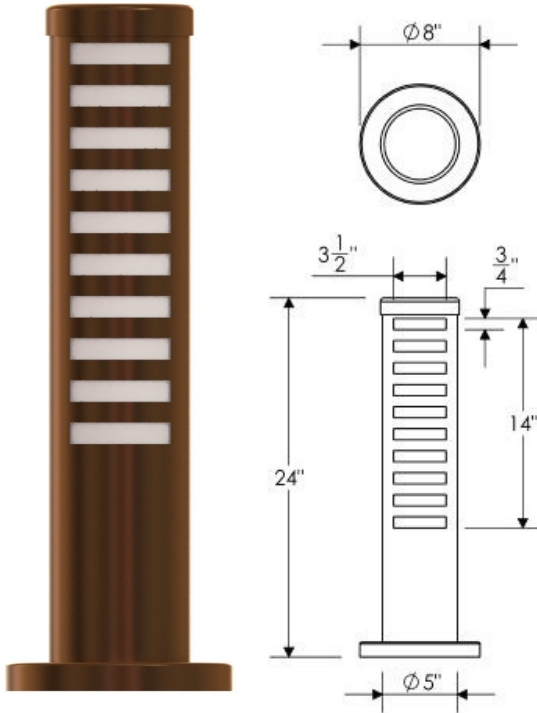




AVALON BOLLARD SERIES



DIMENSIONS: 24"H X 5"W

Catalog #		Type
Project		LED BOLLARD
Comments		
Prepared By		Date

SPECIFICATIONS

Material

All parts are Durable .063 Aluminum along with Aluminum Tube Construction with Overlay Aluminum Roof with supports fabricated for maximum strength.

Lens

Standard White Frosted Premium Acrylic or Clear Frosted Premium Acrylic behind of slots on 1 side of Aluminum Tube

LED

ALTA Long Life, high-efficiency, surface mount LEDs mounted on MPCB Aluminum Boards

Lifespan:

100,000 hour LED lifespan based on IES LM-80 results and TM-21 calculations

Driver

0-10V Dimming Driver for 120/277 volt, Constant Current, Metal Case, 5 year warranty

Label

ETL Listed for US and Canada for Wet Location

ORDERING INFORMATION

Sample Number: AVA-B-24-22W-AB-WF

Series	Style	Size	Lamp	Finish	Standard Lens	Options
AVA	Bollard	24" 36"	24" 12W 22W 36" 12W 22W 36W	Architectural Bronze (AB) Textured Bronze (TBR) Matte Black (MBK) Semi Gloss Black (GBK) Textured Black (TBK) Textured Rust (TR) Matte White (MW) Textured White (TW) Gloss White (GW) Metallic Grey (MG) Brushed Aluminum (BA) adder Metallic Nickel (MN) Textured Verde Patina (TVP) Satin Brass (SB) Copper Vein (CV) Gold Vein (GV) Silver Vein (SV) Chrome (CH)	White Frosted (WF) Clear Frosted (CFA) Optional Lens White Alabaster (WA) Honey Onyx (HO) Natural Horn (NH) Beige Alabaster (BA) Honey Swirl (HS)	LED EMR - Up to 24W OCC Sensors Photo Cell Control
DELIVERED LUMENS PER WATT						
2700K = 80						
3000K = 90						
3500K = 100						
4100K = 110						
5000K = 120						

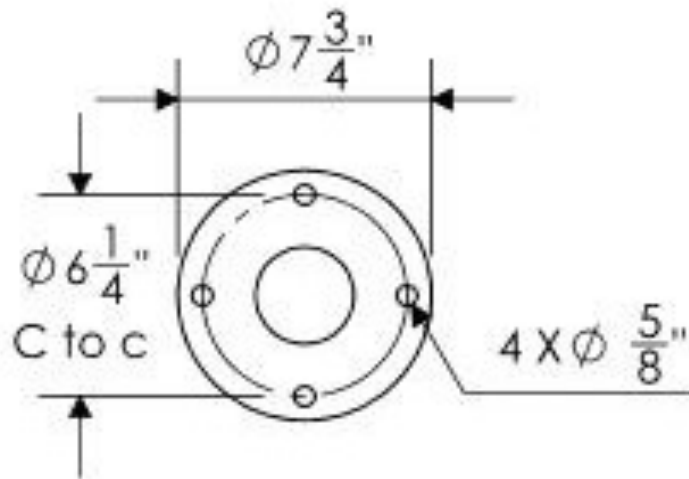
Evergreen Lighting
www.evergreenlighting.com



AVALON BOLLARD SERIES

Instruction Sheet

Mounting Template



Mounting

Anchor bolts are $\frac{3}{8}$ " X 12" X 3" . Bolts, nuts, and washers shall be hot dipped galvanized steel.

Warranty: Evergreen Lighting warrants Bollard LED products sold by Evergreen Lighting to be free from defects in material and workmanship for a period of One year for metal parts, a period of five 5 years for exterior housing powdercoat finish, a period of five 5 years for LED Light Engines and, a period of five 5 years for LED power components (driver), from the date of sale of such goods to the buyer as specified in Evergreen Lighting shipment documents for each product.



**EVERGREEN
LIGHTING**

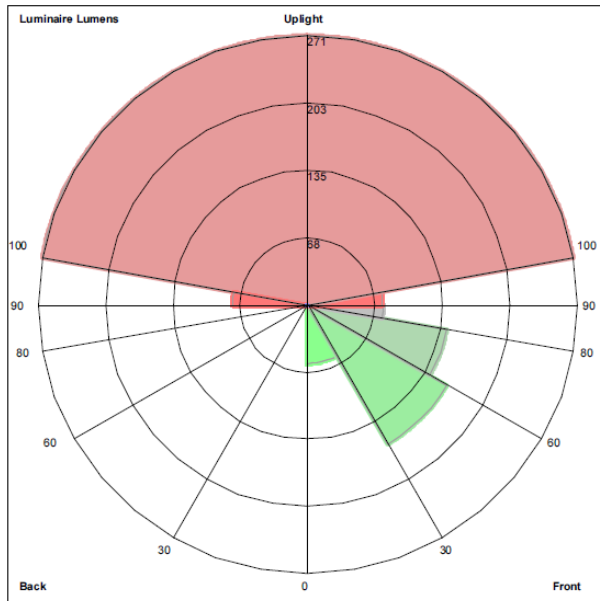
AVALON BOLLARD SERIES

Photometrics

AVA-B-24W

AVA-B-36W

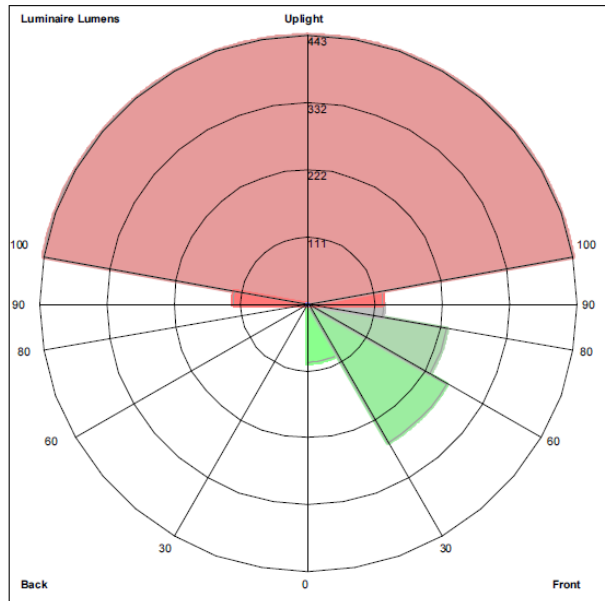
LUMINAIRE CLASSIFICATION SYSTEM (LCS) GRAPH



Luminaire Lumens:
Front: Low=59.2, Medium=161.7, High=141.9, Very High=75.9
Back: Low=0.1, Medium=0.0, High=0.0, Very High=0.0
Uplight: Low=75.3, High=270.9

BUG Rating : B0-U3-G1

LUMINAIRE CLASSIFICATION SYSTEM (LCS) GRAPH



Luminaire Lumens:
Front: Low=96.8, Medium=264.6, High=232.2, Very High=124.3
Back: Low=0.1, Medium=0.0, High=0.0, Very High=0.0
Uplight: Low=123.3, High=443.3

BUG Rating : B0-U3-G2

Evergreen Lighting
www.evergreenlighting.com

