



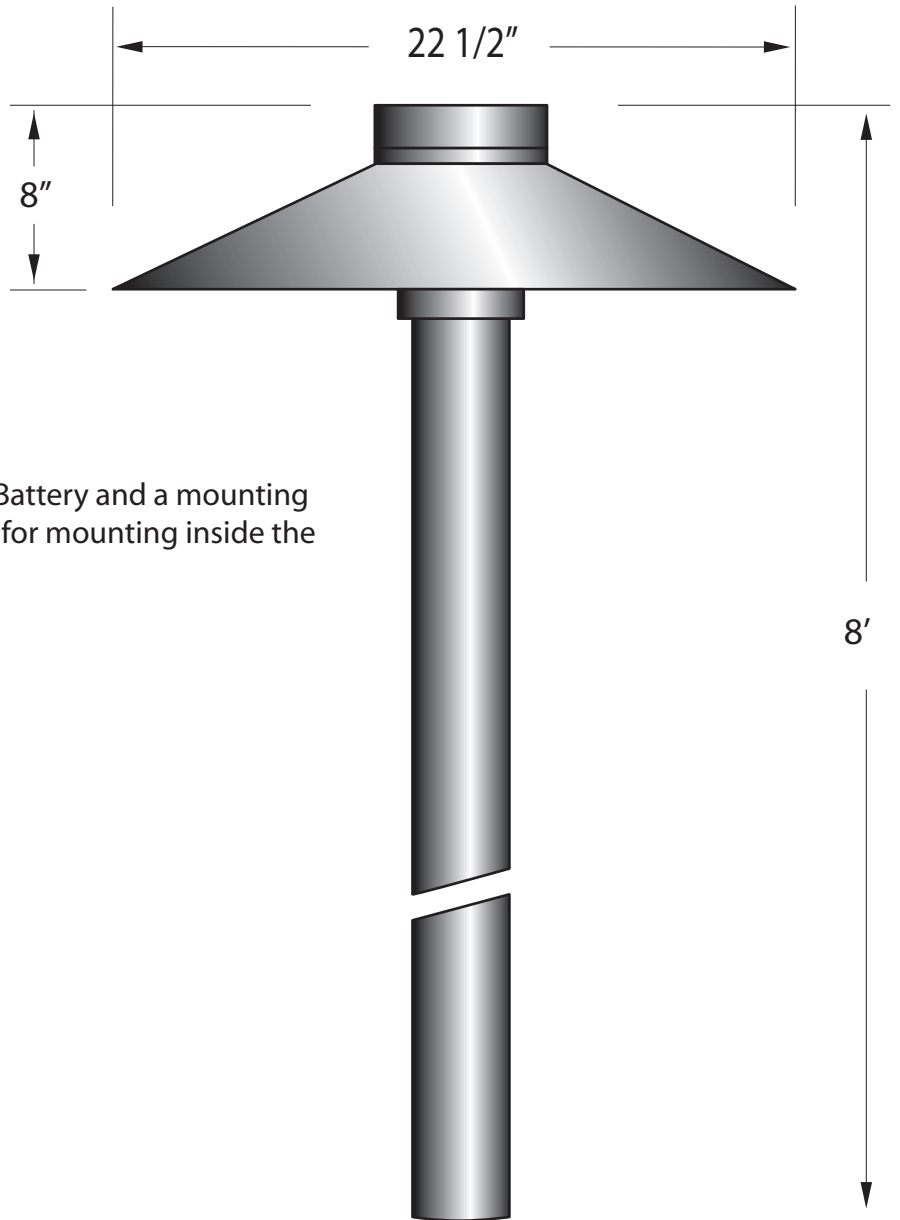
**EVERGREEN  
LIGHTING**

**POST LIGHT**  
**BRD-P-21LED-MN-9-8AB3"-AL-30K-EMR**

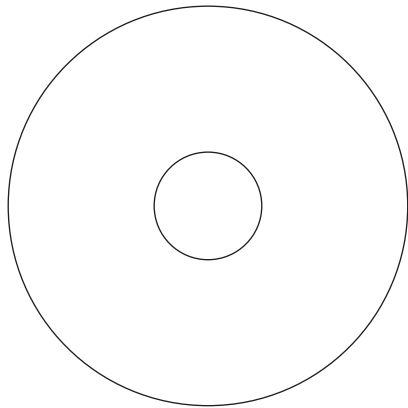
SPECIFICATION FEATURES		Date
Dimensions	8" H X 22 1/2" W X 12' OAH	
Lamps	21 Watt Alta LED - 3000K	
Material	Aluminum	
Finish	Metallic Nickel	
Lens	Clear Frosted Acrylic	
Label	Wet Location	
Voltage	120/277	
Type	SC	

PROJECT:

SPECIFIER:



**TOP VIEW**



EMR Battery and a mounting plate for mounting inside the pole.

**MADE IN USA**

EVERGREEN LIGHTING WWW.EVERGREENLIGHTING.COM  
1379 Ridgway St. Pomona, CA 91768 PHONE: (909) 865-5599 FAX: (909) 865-5539

MADE IN USA ● Information appearing hereon is proprietary and confidential and may not be used without the permission of Evergreen Lighting.