

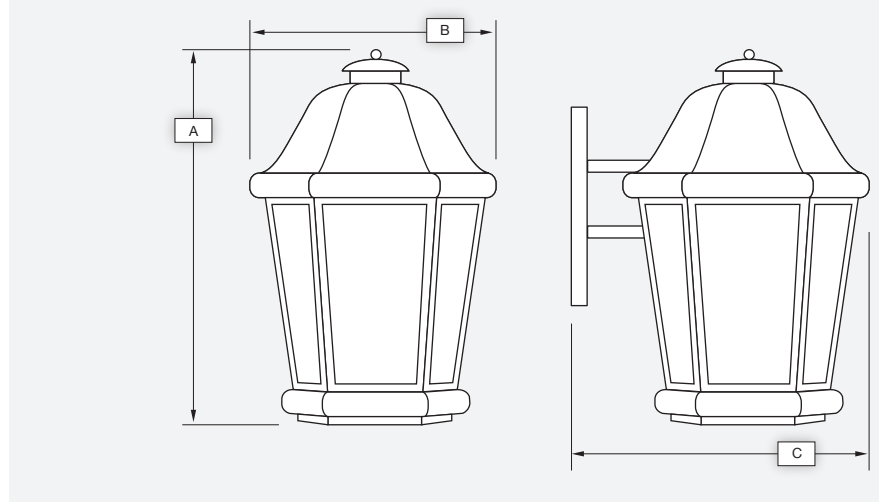


**EVERGREEN
LIGHTING**

BARCELONA

Catalog #		Type
Project		
Description		Date

ARM MOUNT



Standard Features

Material

Paintlok sheet; Standard Powdercoat Finish, White Acrylic Lens; .125 thickness, ETL Wet Location.

Installation

Mounting/wireway hole in center of backplate. Supplied with standard mounting hardware to mount to a 4" J-box or plaster ring.

Optics*

Contact Evergreen Lighting for complete photometrics.

LED Features

LED

Alta LED #AL-R-1W-30LED array to be mounted onto an Aluminum MPCB Board configured to the proper wattage. The LED arrays will be centered within the Lens area and mounted on a white aluminum reflective plate.

Driver

Specific Drivers will be matched with each different LED array configuration/wattage. Standard Driver Features:

- Constant Current
- 3 / 5 year warranty
- 120/277 multi-voltage power supplies
- Kelvin - 2700K, 3000K, 3500K, 4100K, 5000K

Fluorescent Features

Ballast

SC programmed electronic high power factor ballast, multivoltage 120V/277V. Lamps not included

Finishes

Ballast

Architectural Bronze (AB)	Textured Gold (TG)
Textured Bronze (TBR)	Metallic Nickel (MN)
Matte Black (MBK)	Textured Verde Patina (TVP)
Semi Gloss Black (GBK)	Satin Brass (SB)
Textured Black (TBK)	Copper Vein (CV)
Textured Rust (TR)	Gold Vein (GV)
Matte White (MW)	Silver Vein (SV)
Textured White (TW)	Chrome (CH)
Gloss White (GW)	Oil Rubbed Bronze (ORB)
Metallic Grey (MG)	

Options*

Emergency (EMR)	Special Lens
Photocell (PC)	Incandescent
Lamp Sources	
Size Modifications	
Vandal Proof Enclosure (VPE)	

Sample Spec Number: BAR2103Q-AB-A

Part #	Lamp/Watts	Lumens	A	B	C
BAR2103Q	13Q	800	16	11	12
BAR2105T	26T	1800	16	11	12
BAR2104Q	2-13Q	1600	16	11	12
BAR2105	26Q	1800	16	11	12
BAR2211	32T	2200	19	14	15
BAR2204Q	2-13Q	1600	19	14	15
BAR2206	2-26Q	3600	19	14	15
BAR2222	42T	3200	19	14	15
BAR2106L	6LED	600	16	11	12
BAR2110L	10LED	1000	16	11	12
BAR2112L	12LED	1200	16	11	12
BAR2220L	20LED	2000	19	14	15
BAR2224L	24LED	2400	19	14	15
BAR2240L	40LED	4000	19	14	15
DARK SKY					
BAR2109LS	9LED	900	16	11	12
BAR2115LS	15LED	1500	16	11	12
BAR2220LS	20LED	2000	19	14	15

Evergreen Lighting

1379 Ridgeway Street, Pomona, CA 91768

Ph: 909-865-5599 Fax: 909-865-5539

www.evergreenlighting.com

*Consult Factory

MADE IN CALIFORNIA

