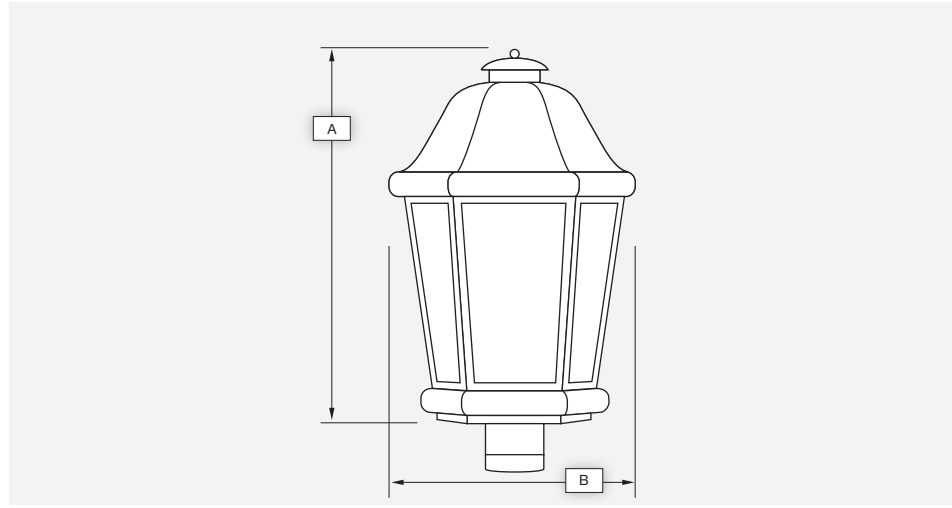




BARCELONA

Catalog #		Type
Project		
Description		Date

POST MOUNT



Standard Features

Material

Paintlok sheet; Standard Powdercoat Finish, White Acrylic Lens; .125 thickness, ETL Wet Location.

Installation

N/A

Optics*

Contact Evergreen Lighting for complete photometrics.

LED Features

LED

Alta LED #AL-R-1W-30LED array to be mounted onto an Aluminum MPCB Board configured to the proper wattage. The LED arrays will be centered within the Lens area and mounted on a white aluminum reflective plate.

Driver

Specific Drivers will be matched with each different LED array configuration/wattage.

Standard Driver Features:

- Constant Current
- 3 / 5 year warranty
- 120/277 multi-voltage power supplies
- Kelvin - 2700K, 3000K, 3500K, 4100K, 5000K

Fluorescent Features

Ballast

SC programmed electronic high power factor ballast, multivoltage 120V/277V. Lamps not included

Finishes

Ballast

Architectural Bronze (AB)	Textured Gold (TG)
Textured Bronze (TBR)	Metallic Nickel (MN)
Matte Black (MBK)	Textured Verde Patina (TVP)
Semi Gloss Black (GBK)	Satin Brass (SB)
Textured Black (TBK)	Copper Vein (CV)
Textured Rust (TR)	Gold Vein (GV)
Matte White (MW)	Silver Vein (SV)
Textured White (TW)	Chrome (CH)
Gloss White (GW)	Oil Rubbed Bronze (ORB)
Metallic Grey (MG)	

Options*

Emergency (EMR)	Special Lens
Photocell (PC)	Incandescent
Lamp Sources	
Size Modifications	
Vandal Proof Enclosure (VPE)	

Sample Spec Number: BAR4203Q-AB-A

Part #	Lamp/Watts	Lumens	A	B	C
BAR4203Q	13Q	800	19	11	
BAR4205T	26T	1800	19	11	
BAR4204Q	2-13Q	1600	19	11	
BAR4205	26Q	1800	19	11	
BAR4311	32T	2200	22	14	
BAR4304Q	2-13Q	1600	22	14	
BAR4306	2-26Q	3600	22	14	
BAR4322	42T	3200	22	14	
BAR4206L	6LED	600	19	11	
BAR4210L	10LED	1000	19	11	
BAR4212L	12LED	1200	19	11	
BAR4320L	20LED	2000	22	14	
BAR4324L	24LED	2400	22	14	
BAR4340L	40LED	4000	22	14	
DARK SKY					
BAR4209LS	9LED	900	19	11	
BAR4215LS	15LED	1500	19	11	
BAR4320LS	20LED	2000	22	14	

