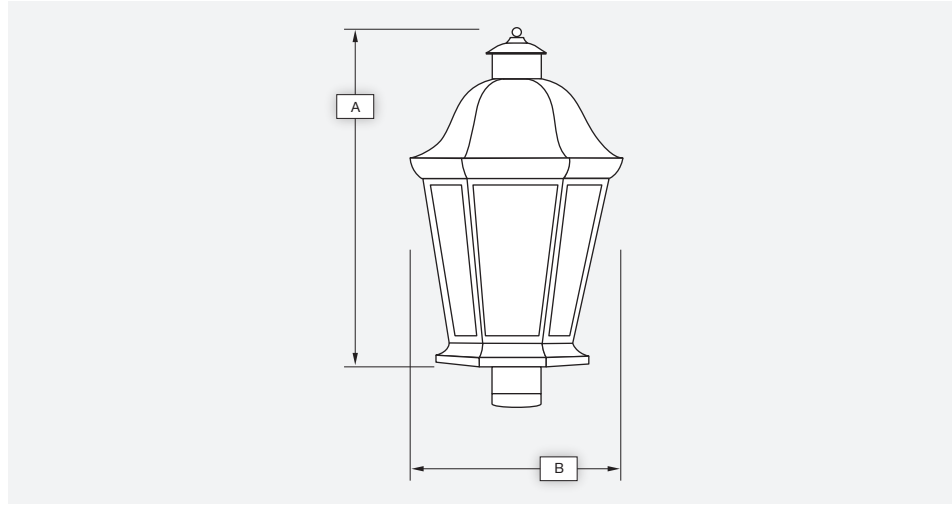




# COZUMEL

Catalog #		Type
Project		
Description		Date

## POST MOUNT



### Standard Features

#### Material

Paintlok sheet; Standard Powdercoat Finish, White Acrylic Lens; .125 thickness, ETL Wet Location.

#### Installation

N/A

#### Optics\*

Contact Evergreen Lighting for complete photometrics.

### LED Features

#### LED

Alta LED #AL-R-1W-30LED array to be mounted onto an Aluminum MPCB Board configured to the proper wattage. The LED arrays will be centered within the Lens area and mounted on a white aluminum reflective plate.

#### Driver

Specific Drivers will be matched with each different LED array configuration/wattage. Standard Driver Features:

- Constant Current
- 3 / 5 year warranty
- 120/277 multi-voltage power supplies
- Kelvin - 2700K, 3000K, 3500K, 4100K, 5000K

### Fluorescent Features

#### Ballast

SC programmed electronic high power factor ballast, multivoltage 120V/277V. Lamps not included

### Finishes

#### Ballast

Architectural Bronze (AB)	Textured Gold (TG)
Textured Bronze (TBR)	Metallic Nickel (MN)
Matte Black (MBK)	Textured Verde Patina (TVP)
Semi Gloss Black (GBK)	Satin Brass (SB)
Textured Black (TBK)	Copper Vein (CV)
Textured Rust (TR)	Gold Vein (GV)
Matte White (MW)	Silver Vein (SV)
Textured White (TW)	Chrome (CH)
Gloss White (GW)	Oil Rubbed Bronze (ORB)
Metallic Grey (MG)	

#### Options\*

Emergency (EMR)	Special Lens
Photocell (PC)	Incandescent
Lamp Sources	
Size Modifications	
Vandal Proof Enclosure (VPE)	

Sample Spec Number: COZ4203Q-AB-A

Part #	Lamp/Watts	Lumens	A	B	C
COZ4203Q	13Q	800	20 3/4	9	
COZ4205T	26T	1800	20 3/4	9	
COZ4204Q	2-13Q	1600	20 3/4	9	
COZ4205	26Q	1800	20 3/4	9	
COZ4311	32T	2200	23	10	
COZ4304Q	2-13Q	1600	23	10	
COZ4306	2-26Q	3600	23	10	
COZ4322	42T	3200	23	10	
COZ4206L	6LED	600	20 3/4	9	
COZ4210L	10LED	1000	20 3/4	9	
COZ4212L	12LED	1200	20 3/4	9	
COZ4320L	20LED	2000	23	10	
COZ4324L	24LED	2400	23	10	
COZ4340L	40LED	4000	23	10	
<b>DARK SKY</b>					
COZ4209LS	9LED	900	20 3/4	9	
COZ4215LS	15LED	1500	20 3/4	9	
COZ4320LS	20LED	2000	23	10	

