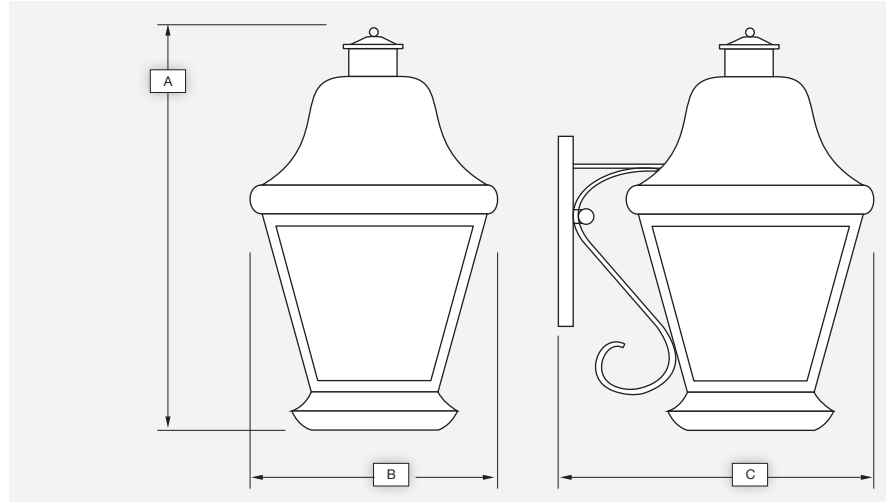




# PALERMO

Catalog #		Type
Project		
Description		Date

## ARM MOUNT



### Standard Features

#### Material

Paintlok sheet; Standard Powdercoat Finish, White Acrylic Lens; .125 thickness, ETL Wet Location.

#### Installation

Mounting/wireway hole in center of backplate. Supplied with standard mounting hardware to mount to a 4" J-box or plaster ring.

#### Optics\*

Contact Evergreen Lighting for complete photometrics.

### LED Features

#### LED

Alta LED #AL-R-1W-30LED array to be mounted onto an Aluminum MPCB Board configured to the proper wattage. The LED arrays will be centered within the Lens area and mounted on a white aluminum reflective plate.

#### Driver

Specific Drivers will be matched with each different LED array configuration/wattage. Standard Driver Features:

- Constant Current
- 3 / 5 year warranty
- 120/277 multi-voltage power supplies
- Kelvin - 2700K, 3000K, 3500K, 4100K, 5000K

### Fluorescent Features

#### Ballast

SC programmed electronic high power factor ballast, multivoltage 120V/277V. Lamps not included

### Finishes

#### Ballast

Architectural Bronze (AB)	Textured Gold (TG)
Textured Bronze (TBR)	Metallic Nickel (MN)
Matte Black (MBK)	Textured Verde Patina (TVP)
Semi Gloss Black (GBK)	Satin Brass (SB)
Textured Black (TBK)	Copper Vein (CV)
Textured Rust (TR)	Gold Vein (GV)
Matte White (MW)	Silver Vein (SV)
Textured White (TW)	Chrome (CH)
Gloss White (GW)	Oil Rubbed Bronze (ORB)
Metallic Grey (MG)	

### Options\*

- Emergency (EMR)
- Vandal Proof Enclosure (VPE)
- Photocell (PC)
- Lamp Sources
- Size Modifications
- Special Lens

Sample Spec Number: PAL2103Q-AB-A

Part #	Lamp/Watts	Lumens	A	B	C
PAL2103Q	13Q	800	17 3/4	9	11
PAL2105T	26T	1800	17 3/4	9	11
PAL2104Q	2-13Q	1600	17 3/4	9	11
PAL2105	26Q	1800	17 3/4	9	11
PAL2211	32T	2200	20	10	12
PAL2204Q	2-13Q	1600	20	10	12
PAL2206	2-26Q	3600	20	10	12
PAL2222	42T	3200	20	10	12
PAL2106L	6LED	600	17 3/4	9	11
PAL2110L	10LED	1000	17 3/4	9	11
PAL2112L	12LED	1200	17 3/4	9	11
PAL2220L	20LED	2000	20	10	12
PAL2224L	24LED	2400	20	10	12
PAL2240L	40LED	4000	20	10	12
<b>DARK SKY</b>					
PAL2109LS	9LED	900	17 3/4	9	11
PAL2115LS	15LED	1500	17 3/4	9	11
PAL2220LS	20LED	2000	20	10	12

### Evergreen Lighting

1379 Ridgeway Street, Pomona, CA 91768

Ph: 909-865-5599 Fax: 909-865-5539

www.evergreenlighting.com

\*Consult Factory

MADE IN CALIFORNIA

