



**EVERGREEN
LIGHTING**

Post fixture

RLSPN-GSNK-35L-MBK-CPTYP3

SPECIFICATION FEATURES		Date
		11-28-17
Dimensions	16" H x 20"	
Lamps	35 watts of LED- Specify Kelvin	
Material	Aluminum	
Finish	Matte Black	
Lens	Clear Polycarbonate	
Label	WET Location	
Voltage	120 / 277	
Description	Exterior	

PROJECT:

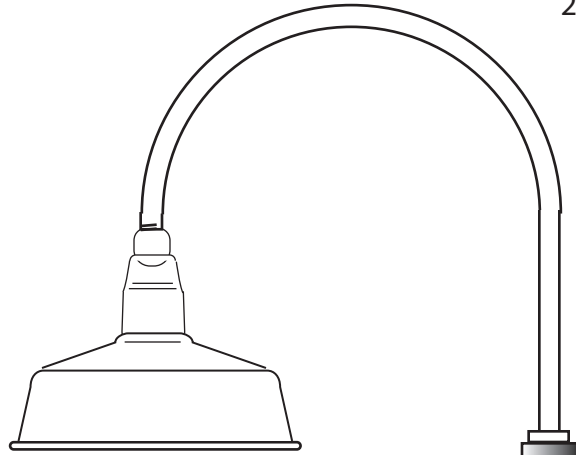
SPECIFIER:



2 1/2" diameter tube

Type 3 Light distribution

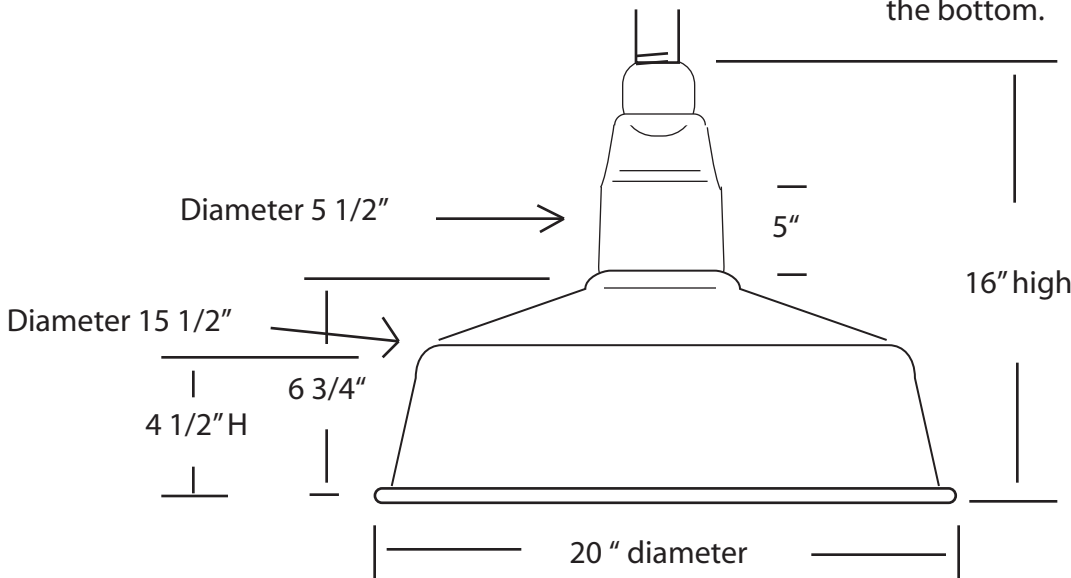
Resessed Flat lens



Slip fit for a 3" round pole - Slip fitter has 3 holes drilled at 120 degrees. 1" from the bottom.



Existing 3" OD round Pole



EVERGREEN LIGHTING WWW.EVERGREENLIGHTING.COM
1379 Ridgeway St. Pomona, CA 91768 PHONE: (909) 865-5599 FAX: (909) 865-5539



MADE IN USA ● Information appearing hereon is proprietary and confidential and may not be used without the permission of Evergreen Lighting.

MADE IN USA