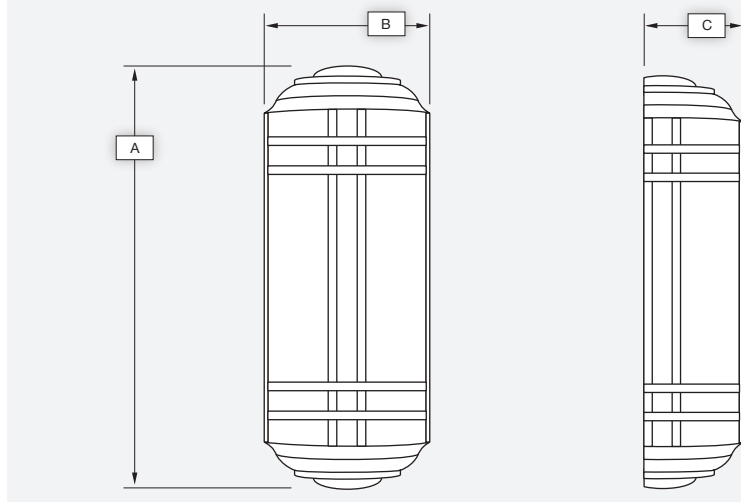




ROME

Catalog #		Type
Project		
Description		Date

WALL MOUNT



Standard Features

Material

Paintlok sheet; Standard Powdercoat Finish, White Acrylic Lens; .125 thickness, ETL Wet Location.

Installation

Mounting/wireway hole in center of backplate. Supplied with standard mounting hardware to mount to a 4" J-box or plaster ring.

Optics*

Contact Evergreen Lighting for complete photometrics.

LED Features

LED

Alta LED #AL-R-1W-30LED array to be mounted onto an Aluminum MPCB Board configured to the proper wattage. The LED arrays will be centered within the Lens area and mounted on a white aluminum reflective plate.

Driver

Specific Drivers will be matched with each different LED array configuration/wattage. Standard Driver Features:

- Constant Current
- 3 / 5 year warranty
- 120/277 multi-voltage power supplies
- Kelvin - 2700K, 3000K, 3500K, 4100K, 5000K

Fluorescent Features

Ballast

SC programmed electronic high power factor ballast, multivoltage 120V/277V. Lamps not included

Finishes

Ballast

Architectural Bronze (AB)	Textured Gold (TG)
Textured Bronze (TBR)	Metallic Nickel (MN)
Matte Black (MBK)	Textured Verde Patina (TVP)
Semi Gloss Black (GBK)	Satin Brass (SB)
Textured Black (TBK)	Copper Vein (CV)
Textured Rust (TR)	Gold Vein (GV)
Matte White (MW)	Silver Vein (SV)
Textured White (TW)	Chrome (CH)
Gloss White (GW)	Oil Rubbed Bronze (ORB)
Metallic Grey (MG)	

Options*

Emergency (EMR)	Special Lens
Photozell (PC)	Incandescent
Lamp Sources	
Size Modifications	
Vandal Proof Enclosure (VPE)	

Sample Spec Number: ROM1103Q-AB-A

Part #	Lamp/Watts	Lumens	A	B	C
ROM1103Q	13Q	800	17	8	4
ROM1105T	26T	1800	17	8	4
ROM1204Q	2-13Q	1600	21	9 1/4	4 1/2
ROM1205	26Q	1800	21	9 1/4	4 1/2
ROM1211	32T	2200	21	9 1/4	4 1/2
ROM1304Q	2-13Q	1600	25	11	5 1/2
ROM1306	2-26Q	3600	25	11	5 1/2
ROM1322	42T	3200	25	11	5 1/2
ROM1106L	6LED	600	17	8	4
ROM1110L	10LED	1000	17	8	4
ROM1212L	12LED	1200	21	9 1/4	4 1/2
ROM1220L	20LED	2000	21	9 1/4	4 1/2
ROM1324L	24LED	2400	25	11	5 1/2
ROM1340L	40LED	4000	25	11	5 1/2
DARK SKY					
ROM1109LS	9LED	900	17	8	4
ROM1215LS	15LED	1500	21	9 1/4	4 1/2
ROM1320LS	20LED	2000	25	11	5 1/2

MADE IN CALIFORNIA

*Consult Factory

Evergreen Lighting
1379 Ridgeway Street, Pomona, CA 91768
Ph: 909-865-5599 Fax: 909-865-5539
www.evergreenlighting.com

