



**EVERGREEN  
LIGHTING**

**TOSCANA**

**TO120LED-MBK-9-14AB4-AL-SQ**

|                        |      |
|------------------------|------|
| SPECIFICATION FEATURES | Date |
|------------------------|------|

|             |                             |
|-------------|-----------------------------|
| Dimensions  | 14" H X 13" W X 22" E       |
| Lamps       | 120 Watts LED - 3000 K      |
| Material    | Aluminum - Fixture 16 gauge |
| Finish      | Matte Black Powdercoat      |
| Lens        | White or clear frosted      |
| Label       | Wet Location                |
| Voltage     | 120                         |
| Description | Toscana Post Fixture        |

PROJECT:

SPECIFIER:

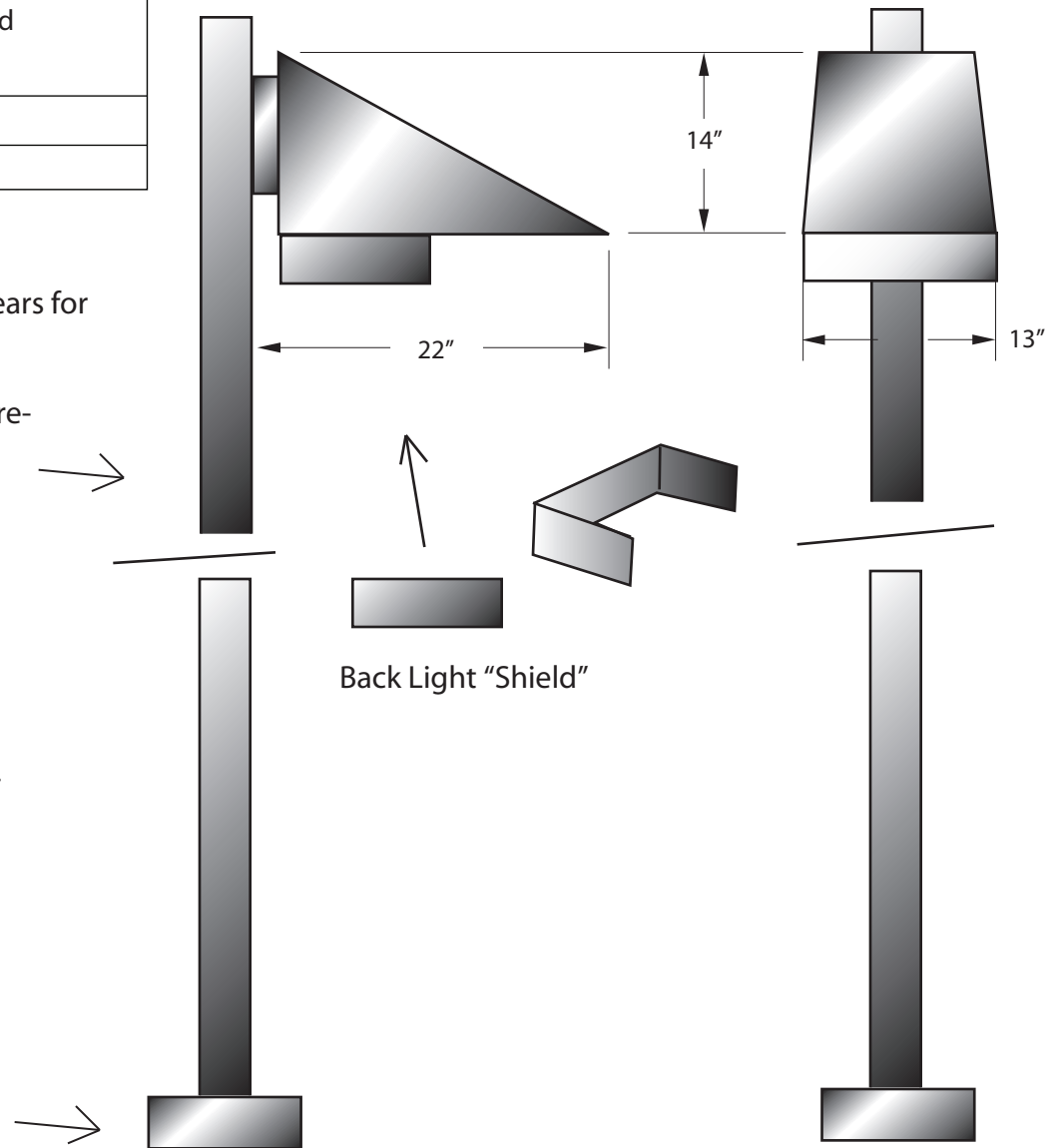
10,800 lumens

Warranty -  
1 year for Power supply, and 5 years for LED Chips.

14 foot high pole - 4" x 4" square -  
1/8" Wall thickness

Anchor base Kit includes:  
Bolts - 5/8" x 24" long, and nuts -  
11" x 11" base plate -  
Square cover -

11" x 11" x 3"



Drawings are not to scale

EVERGREEN LIGHTING WWW.EVERGREENLIGHTING.COM  
1379 Ridgeway St. Pomona, CA 91768 PHONE: (909) 865-5599 FAX: (909) 865-5539



MADE IN USA ● Information appearing hereon is proprietary and confidential and may not be used without the permission of Evergreen Lighting.

**MADE IN USA**