

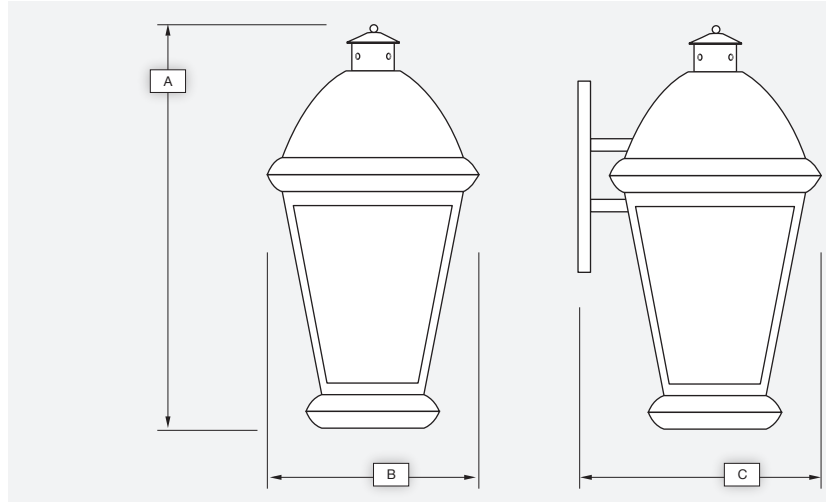


**EVERGREEN  
LIGHTING**

# TUSCANY

Catalog #		Type
Project		
Description		Date

## ARM MOUNT



### Standard Features

#### Material

Paintlok sheet; Standard Powdercoat Finish, White Acrylic Lens; .125 thickness, ETL Wet Location.

#### Installation

Mounting/wireway hole in center of backplate. Supplied with standard mounting hardware to mount to a 4" J-box or plaster ring.

#### Optics\*

Contact Evergreen Lighting for complete photometrics.

### LED Features

#### LED

Alta LED #AL-R-1W-30LED array to be mounted onto an Aluminum MPCB Board configured to the proper wattage. The LED arrays will be centered within the Lens area and mounted on a white aluminum reflective plate.

#### Driver

Specific Drivers will be matched with each different LED array configuration/wattage. Standard Driver Features:

- Constant Current
- 3 / 5 year warranty
- 120/277 multi-voltage power supplies
- Kelvin - 2700K, 3000K, 3500K, 4100K, 5000K

### Fluorescent Features

#### Ballast

SC programmed electronic high power factor ballast, multivoltage 120V/277V. Lamps not included

### Finishes

#### Ballast

Architectural Bronze (AB)	Textured Gold (TG)
Textured Bronze (TBR)	Metallic Nickel (MN)
Matte Black (MBK)	Textured Verde Patina (TVP)
Semi Gloss Black (GBK)	Satin Brass (SB)
Textured Black (TBK)	Copper Vein (CV)
Textured Rust (TR)	Gold Vein (GV)
Matte White (MW)	Silver Vein (SV)
Textured White (TW)	Chrome (CH)
Gloss White (GW)	Oil Rubbed Bronze (ORB)
Metallic Grey (MG)	

#### Options\*

Emergency (EMR)	Special Lens
Photocell (PC)	Incandescent
Lamp Sources	
Size Modifications	
Vandal Proof Enclosure (VPE)	

Sample Spec Number: TUS2103Q-AB-A

Part #	Lamp/Watts	Lumens	A	B	C
TUS2103Q	13Q	800	19	9	11
TUS2105T	26T	1800	19	9	11
TUS2104Q	2-13Q	1600	19	9	11
TUS2105	26Q	1800	19	9	11
TUS2211	32T	2200	21 1/2	10	12
TUS2204Q	2-13Q	1600	21 1/2	10	12
TUS2206	2-26Q	3600	21 1/2	10	12
TUS2222	42T	3200	21 1/2	10	12
TUS2106L	6LED	600	19	9	11
TUS2110L	10LED	1000	19	9	11
TUS2112L	12LED	1200	19	9	11
TUS2220L	20LED	2000	21 1/2	10	12
TUS2224L	24LED	2400	21 1/2	10	12
TUS2240L	40LED	4000	21 1/2	10	12
<b>DARK SKY</b>					
TUS2109LS	9LED	900	19	9	11
TUS2115LS	15LED	1500	19	9	11
TUS2220LS	20LED	2000	21 1/2	10	12

**Evergreen Lighting**  
1379 Ridgeway Street, Pomona, CA 91768  
Ph: 909-865-5599 Fax: 909-865-5539  
www.evergreenlighting.com

\*Consult Factory

**MADE IN CALIFORNIA**

