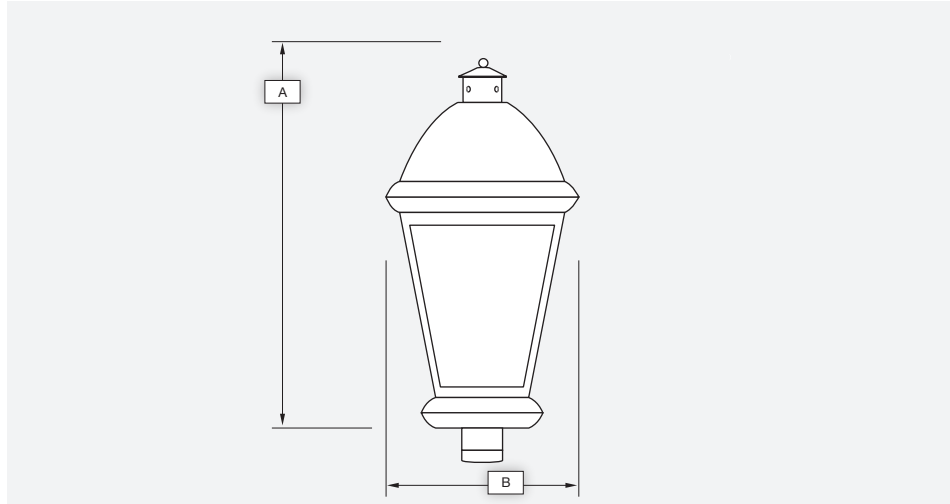




# TUSCANY

Catalog #		Type
Project		
Description		Date

## POST MOUNT



### Standard Features

#### Material

Paintlok sheet; Standard Powdercoat Finish, White Acrylic Lens; .125 thickness, ETL Wet Location.

#### Installation

N/A

#### Optics\*

Contact Evergreen Lighting for complete photometrics.

### LED Features

#### LED

Alta LED #AL-R-1W-30LED array to be mounted onto an Aluminum MPCB Board configured to the proper wattage. The LED arrays will be centered within the Lens area and mounted on a white aluminum reflective plate.

#### Driver

Specific Drivers will be matched with each different LED array configuration/wattage. Standard Driver Features:

- Constant Current
- 3 / 5 year warranty
- 120/277 multi-voltage power supplies
- Kelvin - 2700K, 3000K, 3500K, 4100K, 5000K

### Fluorescent Features

#### Ballast

SC programmed electronic high power factor ballast, multivoltage 120V/277V. Lamps not included

### Finishes

#### Ballast

Architectural Bronze (AB)	Textured Gold (TG)
Textured Bronze (TBR)	Metallic Nickel (MN)
Matte Black (MBK)	Textured Verde Patina (TVP)
Semi Gloss Black (GBK)	Satin Brass (SB)
Textured Black (TBK)	Copper Vein (CV)
Textured Rust (TR)	Gold Vein (GV)
Matte White (MW)	Silver Vein (SV)
Textured White (TW)	Chrome (CH)
Gloss White (GW)	Oil Rubbed Bronze (ORB)
Metallic Grey (MG)	

#### Options\*

Emergency (EMR)	Special Lens
Photocell (PC)	Incandescent
Lamp Sources	
Size Modifications	
Vandal Proof Enclosure (VPE)	

Sample Spec Number: TUS4203Q-AB-A

Part #	Lamp/Watts	Lumens	A	B	C
TUS4203Q	13Q	800	21	9	
TUS4205T	26T	1800	21	9	
TUS4204Q	2-13Q	1600	21	9	
TUS4205	26Q	1800	21	9	
TUS4311	32T	2200	23 1/2	10	
TUS4304Q	2-13Q	1600	23 1/2	10	
TUS4306	2-26Q	3600	23 1/2	10	
TUS4322	42T	3200	23 1/2	10	
TUS4206L	6LED	600	21	9	
TUS4210L	10LED	1000	21	9	
TUS4212L	12LED	1200	21	9	
TUS4320L	20LED	2000	23 1/2	10	
TUS4324L	24LED	2400	23 1/2	10	
TUS4340L	40LED	4000	23 1/2	10	
<b>DARK SKY</b>					
TUS4209LS	9LED	900	21	9	
TUS4215LS	15LED	1500	21	9	
TUS4320LS	20LED	2000	23 1/2	10	

### Evergreen Lighting

1379 Ridgeway Street, Pomona, CA 91768

Ph: 909-865-5599 Fax: 909-865-5539

www.evergreenlighting.com

\*Consult Factory

MADE IN CALIFORNIA

