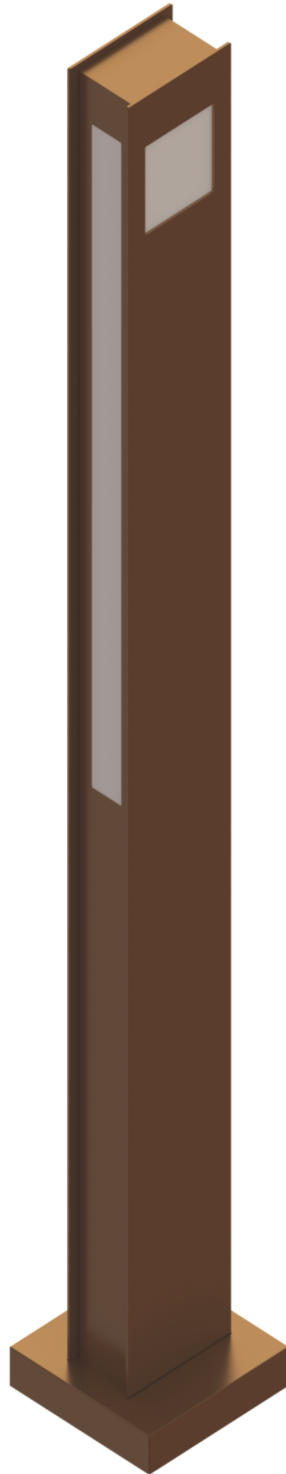


# ***BOULEVARD POST SERIES***

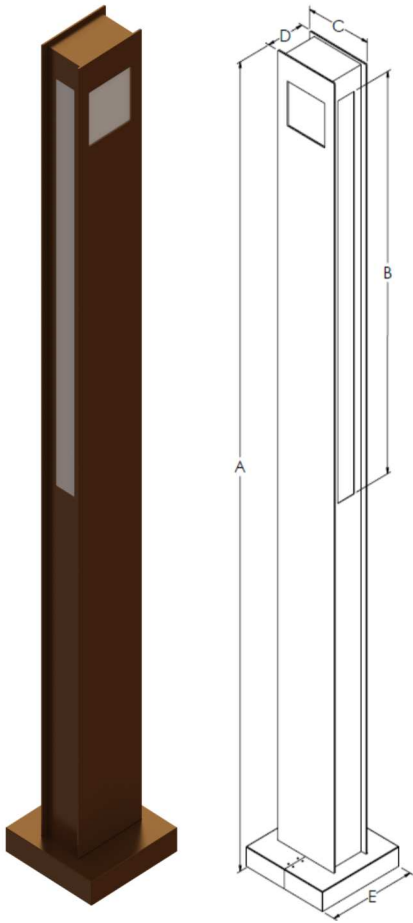




**BOULEVARD POST SERIES  
RECTANGULAR**

Catalog #		Type
Project		LED POST
Comments		
Prepared By		Date

**SPECIFICATIONS**



**Material**

All parts are durable Aluminum Plate along with Aluminum Overlay Top Accents laser cut and milled for maximum strength.

**Lens**

Standard White Frosted Premium Acrylic or Clear Frosted Premium Acrylic Side Lens.

**LED**

ALTA Long Life, high-efficiency, surface mount LEDs mounted on MPCB Aluminum Boards

**Lifespan:**

100,000 hour LED lifespan based on IES LM-80 results and TM-21 calculations

**Driver**

0-10V Dimming Driver for 120/277 volt, Constant Current, metal case, 5 year warranty

**Label**

ETL Listed for US and Canada for Wet Location

**DELIVERED LUMENS PER WATT**

- 2700K = 80
- 3000K = 90
- 3500K = 100
- 4100K = 110
- 5000K = 120

Sample Number: BLV-P7-10'-70LED-AB-WF-30K

CATALOG NUMBER	WATTS	A	B	C	D	E
BLV-P7-10'-50LED-FINISH-LENS-KELVIN	50	120"	60"	12"	7"	16"
BLV-P7-10'-70LED-FINISH-LENS-KELVIN	70	120"	60"	12"	7"	16"
BLV-P7-10'-90LED-FINISH-LENS-KELVIN	90	120"	60"	12"	7"	16"
BLV-P7-12'-70LED-FINISH-LENS-KELVIN	70	144"	72"	12"	7"	16"
BLV-P7-12'-100LED-FINISH-LENS-KELVIN	100	144"	72"	12"	7"	16"
BLV-P7-12'-130LED-FINISH-LENS-KELVIN	130	144"	72"	12"	7"	16"
BLV-P7-14'-90LED-FINISH-LENS-KELVIN	90	168"	84"	12"	7"	16"
BLV-P7-14'-120LED-FINISH-LENS-KELVIN	120	168"	84"	12"	7"	16"
BLV-P7-14'-160LED-FINISH-LENS-KELVIN	160	168"	84"	12"	7"	16"



**BOULEVARD POST SERIES  
RECTANGULAR  
AVAILABLE OPTIONS**

**POWDERCOAT FINISHES**

Architectural Bronze (AB)  
Textured Bronze (TBR)  
Matte Black (MBK)  
Semi Gloss Black (GBK)  
Textured Black (TBK)  
Textured Rust (TR)  
Matte White (MW)  
Textured White (TW)  
Gloss White (GW)  
Metallic Grey (MG)  
Brushed Aluminum (BA) adder  
Metallic Nickel (MN)

**STANDARD ACRYLIC LENS**

White Frosted (WF)  
Clear Frosted (CFA)  
Clear (CA)

**OPTIONS**

LED EMR - Up to 24W  
OCC Sensors  
Photo Cell Control  
TRIAC PHASE DIMMING  
0-10V DIMMING  
347 VOLT FOR CANADA

**SPECIAL OPTIONS**

- GFCI Receptacle (GFCI) - GFCI duplex receptacle attached to pole with gasket, provided with weather proof, self closing cover: located roughly 18" from base of pole. Receptacle is intended only for portable tools or other portable equipment to be connected to outlet only when attended by operating personnel. Please specify voltage if different from luminaire voltage. For use with 120V applications only. For other voltages, please consult factory for special requirements.
- Dual Switching (DS) - LED's are divided into two (2) circuits with individual drivers, two (2) separated power feeds within the fixture.

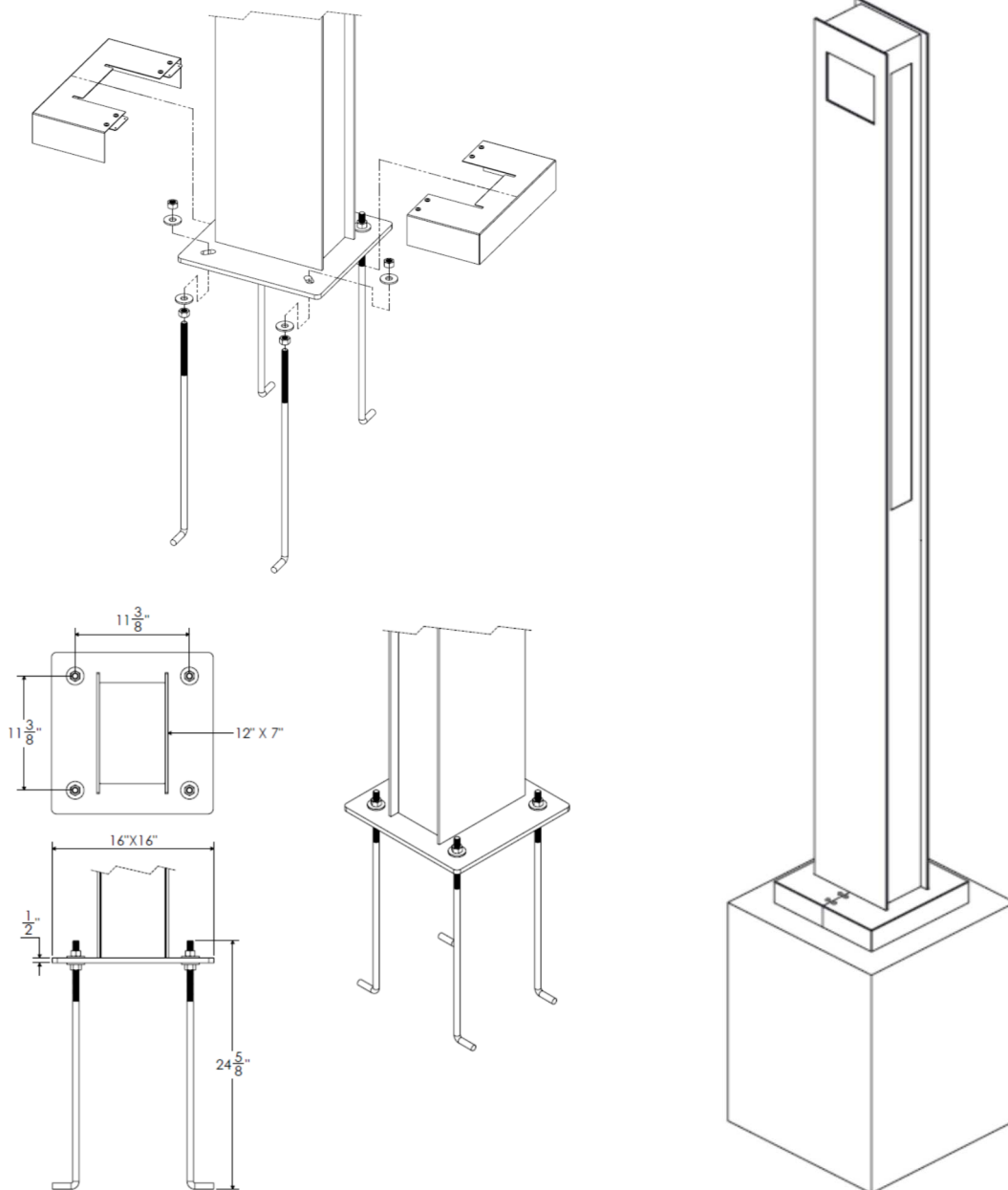
**MOUNTING**

Standard anchor bolts are 5/8" X 24" X 3". Bolts, nuts, and washers shall be hot dipped galvanized steel.

**WARRANTY:** Evergreen Lighting warrants POST LED products sold by Evergreen Lighting to be free from defects in material and workmanship for a period of One year for metal parts, a period of five 5 years for exterior housing powdercoat finish, a period of five 5 years for LED Light Engines and, a period of five 5 years for LED power components (driver), from the date of sale of such goods to the buyer as specified in Evergreen Lighting shipment documents for each product.



## Boulevard Mounting Template



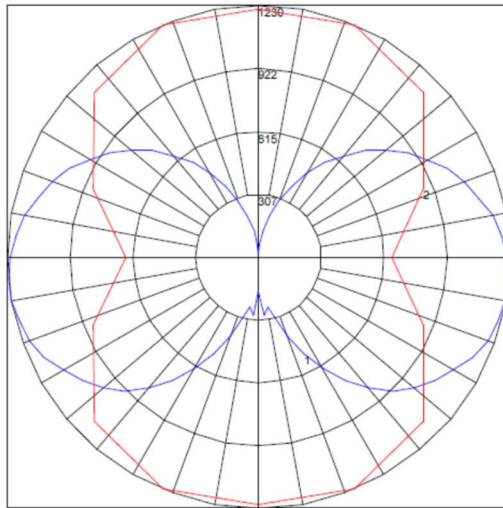


## BOULEVARD POST SERIES PHOTOMETRICS

### BLV-P7-14'-160LED-35K

PHOTOMETRIC FILENAME : BLV-P7-14FT-160LEDJES

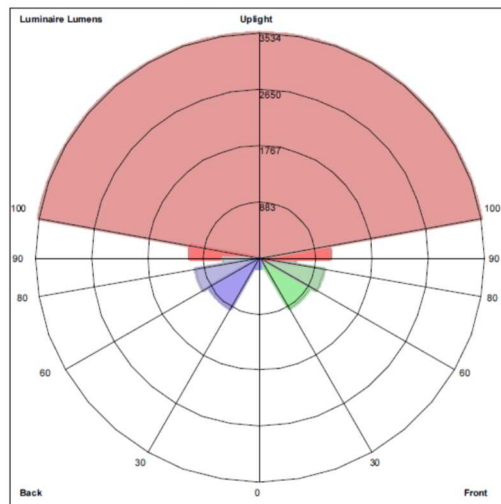
POLAR GRAPH



Maximum Candela = 1229.833 Located At Horizontal Angle = 67.5, Vertical Angle = 85  
 # 1 - Vertical Plane Through Horizontal Angles (67.5 - 247.5) (Through Max. Cd.)  
 # 2 - Horizontal Cone Through Vertical Angle (85) (Through Max. Cd.)

PHOTOMETRIC FILENAME : BLV-P7-14FT-160LEDJES

LUMINAIRE CLASSIFICATION SYSTEM (LCS) GRAPH



Luminaire Lumens:  
 Front: Low=158.3, Medium=923.4, High=1023.8, Very High=567.4  
 Back: Low=158.3, Medium=923.4, High=1023.8, Very High=567.4  
 Uplight: Low=1103.8, High=3533.6

BUG Rating : B3-U5-G4