



**EVERGREEN
LIGHTING**

CEILING PENDANT MOUNT

DRM-P30X9-60W-TR-WF-DIM-35K

| SPECIFICATION FEATURES | | Date 02-16-17 |
|------------------------|---------------------------|------------------|
| Dimensions | 30" Diam x 9" H x OAH 30" | |
| Lamps | 60 watts of LED- 3500K | |
| Material | Aluminum | |
| Finish | Textured Rust Powdercoat | |
| Lens | White Frosted acrylic | |
| Label | Damp Location | |
| Voltage | 120 / 277 | |
| Description | Ceiling Pendant | |

PROJECT:

SPECIFIER:

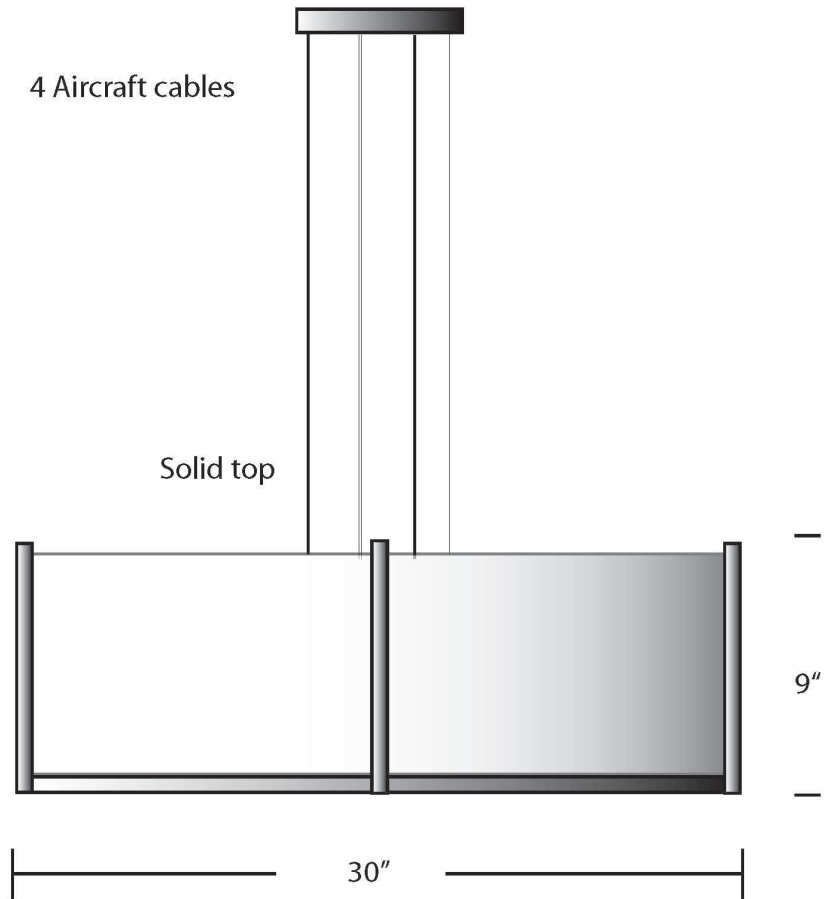
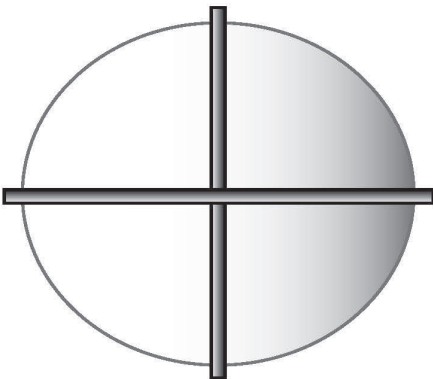
0 to 10 volt dimming

6,000 Lumens

4 Aircraft cables

Solid top

Bottom View



EVERGREEN LIGHTING WWW.EVERGREENLIGHTING.COM
1379 Ridgeway St. Pomona, CA 91768 PHONE: (909) 865-5599 FAX: (909) 865-5539



MADE IN USA ● Information appearing hereon is proprietary and confidential and may not be used without the permission of Evergreen Lighting.

MADE IN USA