



**EVERGREEN
LIGHTING**

CEILING PENDANT MOUNT

PYR-DN-P-30L-9-WF-DIM-22X16

SPECIFICATION FEATURES

Date
01-07-19

PROJECT: USM LS Library

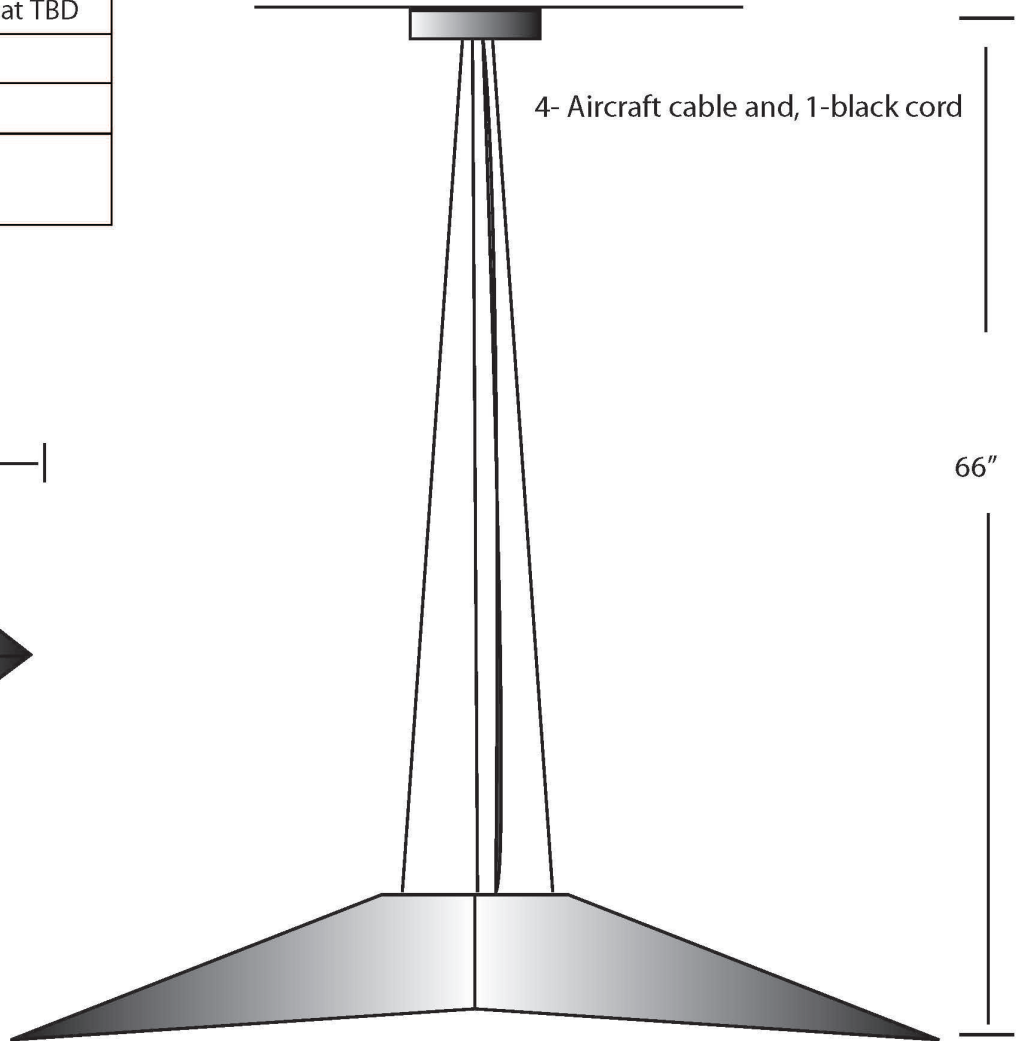
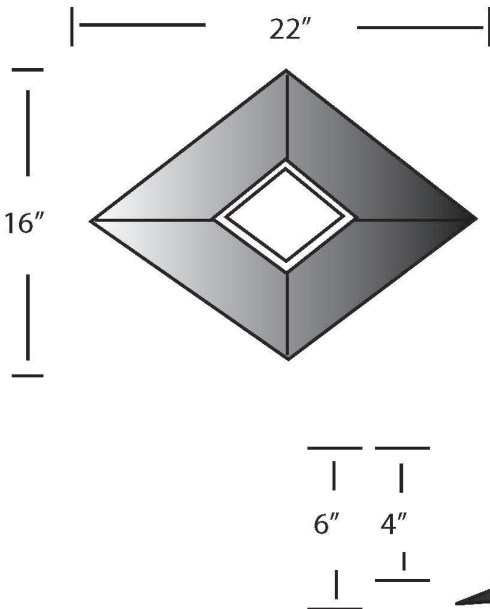
SPECIFIER:

Dimensions	22" Long x 16" W x OAH 66"
Lamps	30 watts of LED -3000 K
Material	Aluminum
Finish	9 = Standard Powdercoat TBD
Lens	White Frosted acrylic
Label	Damp Location
Voltage	120 / 277
Description	Pendant

3000K- 2,700 Lumens - 95 CRI
with 0 to 10 volt dimming

4- Aircraft cable and, 1-black cord

Bottom View



Down light only

EVERGREEN LIGHTING WWW.EVERGREENLIGHTING.COM
1379 Ridgeway St. Pomona, CA 91768 PHONE: (909) 865-5599 FAX: (909) 865-5539



MADE IN USA ● Information appearing hereon is proprietary and confidential and may not be used without the permission of Evergreen Lighting.

MADE IN USA