



**EVERGREEN
LIGHTING**

CEILING PENDANT MOUNT

PYR-P42-234U54D-BA-WF

SPECIFICATION FEATURES

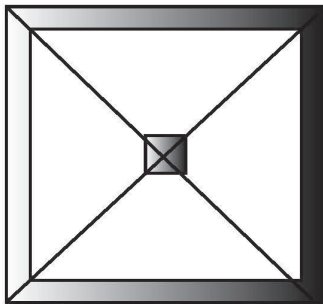
Date
06-26-18

PROJECT:

SPECIFIER:

| | |
|-------------|-----------------------------|
| Dimensions | 42" x 42" x 13" x OAH 32" |
| Lamps | See note : Biax lamp set up |
| Material | Aluminum |
| Finish | Brushed Aluminum |
| Lens | White Frosted acrylic |
| Label | Damp Location |
| Voltage | 120 / 277 |
| Description | Ceiling Pendant |

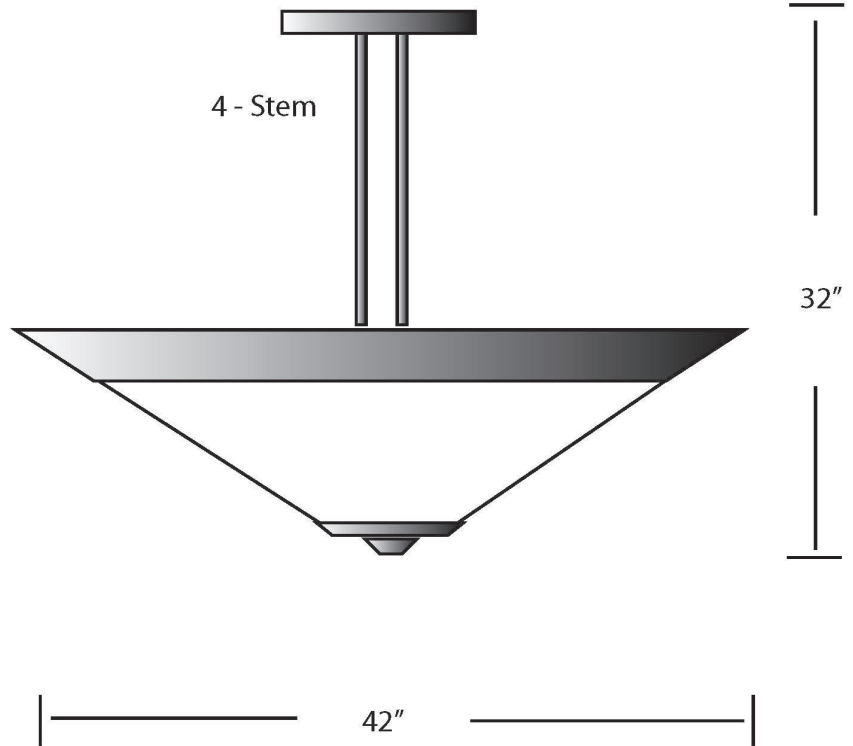
(6) 39 watt up light (234 watts)
(2) 27 watt down light (54 watts)



Bottom View



13"



4 - Stem

32"

42"

EVERGREEN LIGHTING WWW.EVERGREENLIGHTING.COM
1379 Ridgeway St. Pomona, CA 91768 PHONE: (909) 865-5599 FAX: (909) 865-5539



MADE IN USA ● Information appearing hereon is proprietary and confidential and may not be used without the permission of Evergreen Lighting.

MADE IN USA