



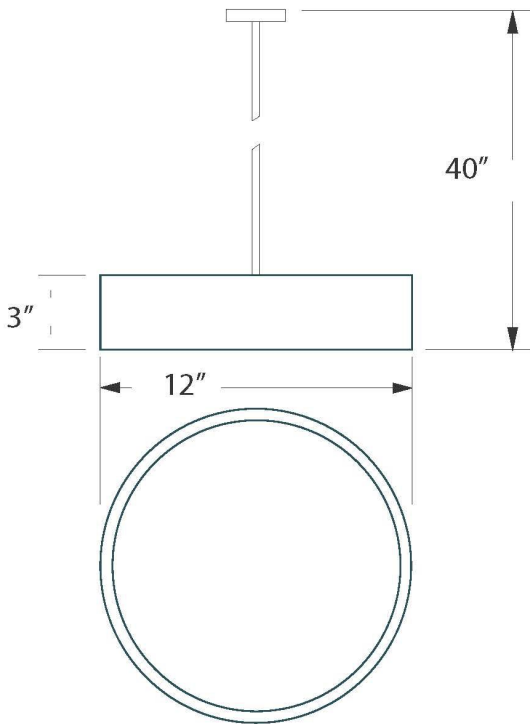
**EVERGREEN
LIGHTING**

SATURN PENDANT
STN-P12X3-20LED-MW-WF-DIM

SPECIFICATION FEATURES		Date 08-31-18
Dimensions	12" Dia. x 3" D OAH 40"	
Lamps	20 watts of LED - 4100K 2,200 lumens	
Material	Aluminum	
Finish	Matte White Powdercoat	
Lens	White Frosted Acrylic	
Label	Damp Location	
Weight	15 lbs	
Voltage	120 / 277	
Description	Saturn Ceiling Pendant	
Type		

PROJECT:

SPECIFIER:



With 0 to 10 volt dimming

down light only

Drawings are not to scale

MADE IN USA

EVERGREEN LIGHTING WWW.EVERGREENLIGHTING.COM
1379 Ridgeway St. Pomona, CA 91768 PHONE: (909) 865-5599 FAX: (909) 865-5539

MADE IN USA ● Information appearing hereon is proprietary and confidential and may not be used without the permission of Evergreen Lighting.

