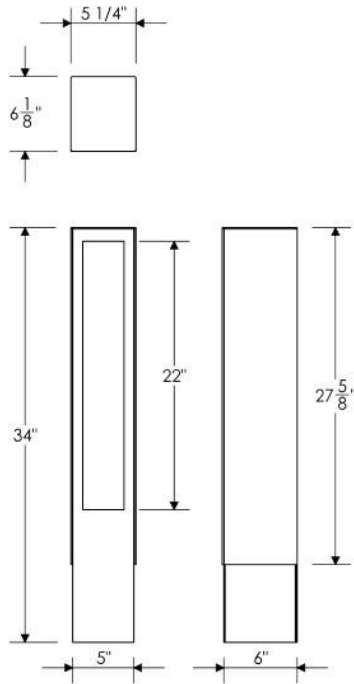




## SYLVAN BOLLARD SERIES

Catalog #		Type
Project		LED BOLLARD
Comments		
Prepared By		Date



DIMENSIONS: 48" H X 6 1/8" W

### SPECIFICATIONS

#### Material

All parts are Durable .063 Aluminum with Overlay Aluminum Roof with supports fabricated for maximum strength.

#### Lens

Standard White Frosted Premium Acrylic or Clear Frosted Premium Acrylic

#### LED

ALTA Long Life, high-efficiency, surface mount LEDs mounted on MPCB Aluminum Boards

#### Lifespan:

100,000 hour LED lifespan based on IES LM-80 results and TM-21 calculations

#### Driver

0-10V Dimming Driver for 120/277 volt, Constant Current, Metal Case, 5 year warranty

#### Label

ETL Listed for US and Canada for Wet Location

### ORDERING INFORMATION

Sample Number: SYL-B-48-22W-AB-WF

<b>Series</b> SYL	<b>Style</b> Bollard	<b>Size</b> 34" 48"	<b>Lamp</b> 34" 12W 22W 48" 12W 22W 45W	<b>Finish</b> Architectural Bronze (AB) Textured Bronze (TBR) Matte Black (MBK) Semi Gloss Black (GBK) Textured Black (TBK) Textured Rust (TR) Matte White (MW) Textured White (TW) Gloss White (GW) Metallic Grey (MG) Brushed Aluminum (BA) adder Metallic Nickel (MN) Textured Verde Patina (TVP) Satin Brass (SB) Copper Vein (CV) Gold Vein (GV) Silver Vein (SV) Chrome (CH)	<b>Standard Lens</b> White Frosted (WF) Clear Frosted (CFA)  <b>Optional Lens</b> White Alabaster (WA) Honey Onyx (HO) Natural Horn (NH) Beige Alabaster (BA) Honey Swirl (HS)	<b>Options</b> LED EMR - Up to 24W OCC Sensors Photo Cell Control
<b>DELIVERED LUMENS PER WATT</b>						
2700K = 80						
3000K = 90						
3500K = 100						
4100K = 110						
5000K = 120						

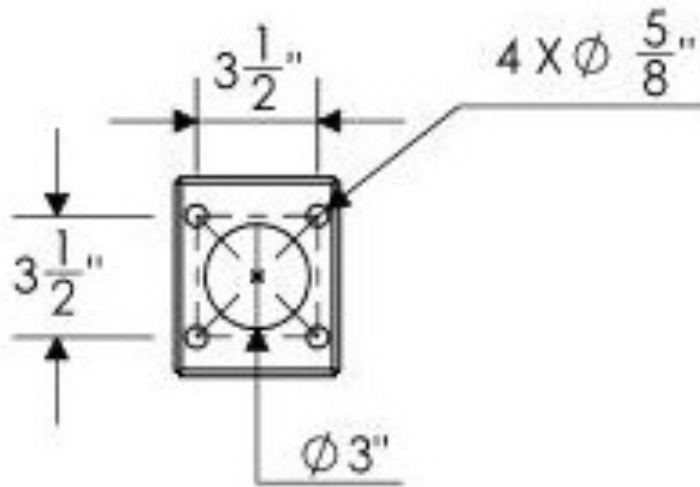
Evergreen Lighting  
www.evergreenlighting.com



## SYLVAN BOLLARD SERIES

### Instruction Sheet

#### Mounting Template



#### Mounting

Anchor bolts are 3/8" X 12" X 3" . Bolts, nuts, and washers shall be hot dipped galvanized steel.

**Warranty:** Evergreen Lighting warrants Bollard LED products sold by Evergreen Lighting to be free from defects in material and workmanship for a period of One year for metal parts, a period of five 5 years for exterior housing powdercoat finish, a period of five 5 years for LED Light Engines and, a period of five 5 years for LED power components (driver), from the date of sale of such goods to the buyer as specified in Evergreen Lighting shipment documents for each product.



**EVERGREEN  
LIGHTING**

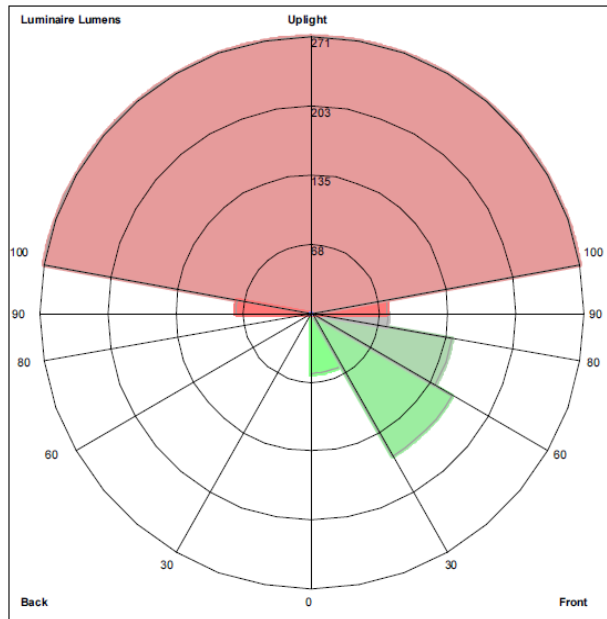
**SYLVAN BOLLARD SERIES**

**Photometrics**

**SYL-B-22W**

**SYL-B-45W**

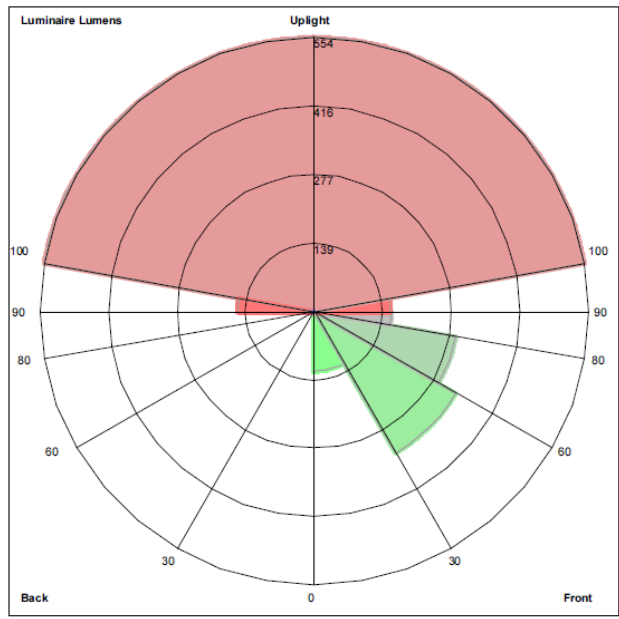
LUMINAIRE CLASSIFICATION SYSTEM (LCS) GRAPH



Luminaire Lumens:  
Front: Low=59.2, Medium=161.7, High=141.9, Very High=75.9  
Back: Low=0.1, Medium=0.0, High=0.0, Very High=0.0  
Uplight: Low=75.3, High=270.9

BUG Rating : B0-U3-G1

LUMINAIRE CLASSIFICATION SYSTEM (LCS) GRAPH



Luminaire Lumens:  
Front: Low=121.1, Medium=330.8, High=290.3, Very High=155.3  
Back: Low=0.2, Medium=0.0, High=0.0, Very High=0.0  
Uplight: Low=154.1, High=554.1

BUG Rating : B0-U4-G2

Evergreen Lighting  
[www.evergreenlighting.com](http://www.evergreenlighting.com)

