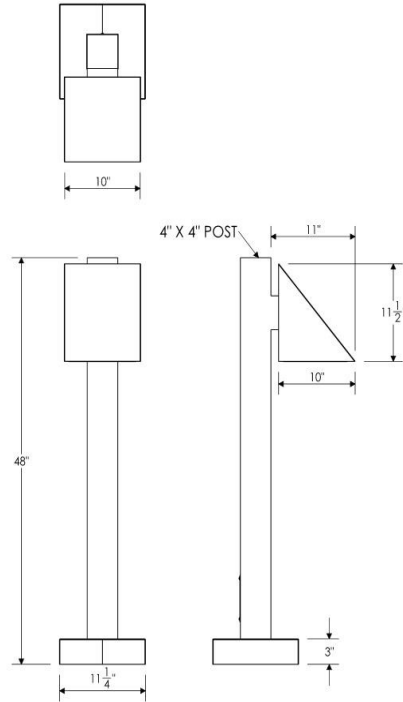




TOSCA BOLLARD SERIES

Catalog #		Type
Project		LED BOLLARD
Comments		
Prepared By		Date



DIMENSIONS: 48" H X 10" W

SPECIFICATIONS

Material

All parts are Durable Aluminum Extruded Tube with Aluminum Roof with supports fabricated for maximum strength.

Lens

Standard White Frosted Premium Acrylic or Clear Frosted Premium Acrylic

LED

ALTA Long Life, high-efficiency, surface mount LEDs mounted on MPCB Aluminum Boards

Lifespan:

100,000 hour LED lifespan based on IES LM-80 results and TM-21 calculations

Driver

0-10V Dimming Driver for 120/277 volt, Constant Current, Metal Case, 5 year warranty

Label

ETL Listed for US and Canada for Wet Location

ORDERING INFORMATION

Sample Number: TOS-B-48-36W-AB-WF

Series TOS	Style Bollard	Size 32" X 8" 48" X 10"	Lamp 32" 12W 22W 48" 12W 22W 36W	Finish Architectural Bronze (AB) Textured Bronze (TBR) Matte Black (MBK) Semi Gloss Black (GBK) Textured Black (TBK) Textured Rust (TR) Matte White (MW) Textured White (TW) Gloss White (GW) Metallic Grey (MG) Brushed Aluminum (BA) adder Metallic Nickel (MN) Textured Verde Patina (TVP) Satin Brass (SB) Copper Vein (CV) Gold Vein (GV) Silver Vein (SV) Chrome (CH)	Standard Lens White Frosted (WF) Clear Frosted (CFA) Optional Lens White Alabaster (WA) Honey Onyx (HO) Natural Horn (NH) Beige Alabaster (BA) Honey Swirl (HS)	Options LED EMR - Up to 24W OCC Sensors Photo Cell Control
DELIVERED LUMENS PER WATT						
2700K = 80						
3000K = 90						
3500K = 100						
4100K = 110						
5000K = 120						

Evergreen Lighting
www.evergreenlighting.com



EVERGREEN LIGHTING

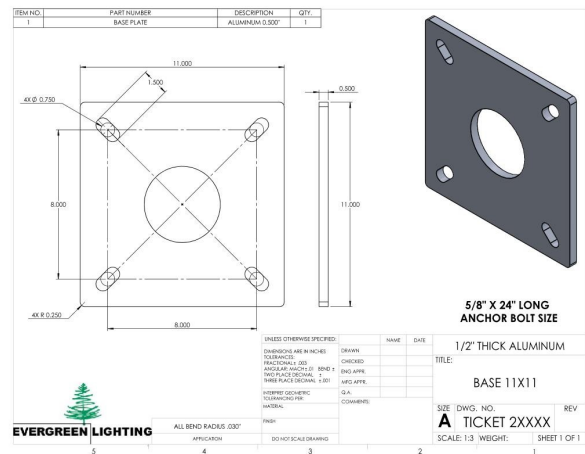
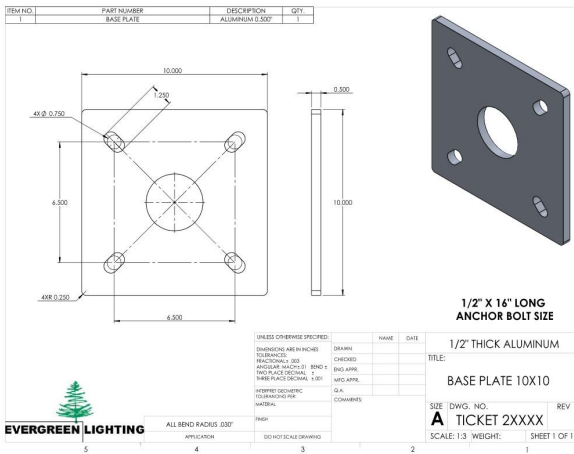
TOSCA BOLLARD SERIES

Instruction Sheet

Mounting Template

TOS-B-32-22W

TOS-B-48-36W



Mounting

Anchor bolts are 1/2" X 14" X 3" OR 5/8" X 24" X 4". Bolts, nuts, and washers shall be hot dipped galvanized steel.

Warranty: Evergreen Lighting warrants Bollard LED products sold by Evergreen Lighting to be free from defects in material and workmanship for a period of One year for metal parts, a period of five 5 years for exterior housing powdercoat finish, a period of five 5 years for LED Light Engines and, a period of five 5 years for LED power components (driver), from the date of sale of such goods to the buyer as specified in Evergreen Lighting shipment documents for each product.



**EVERGREEN
LIGHTING**

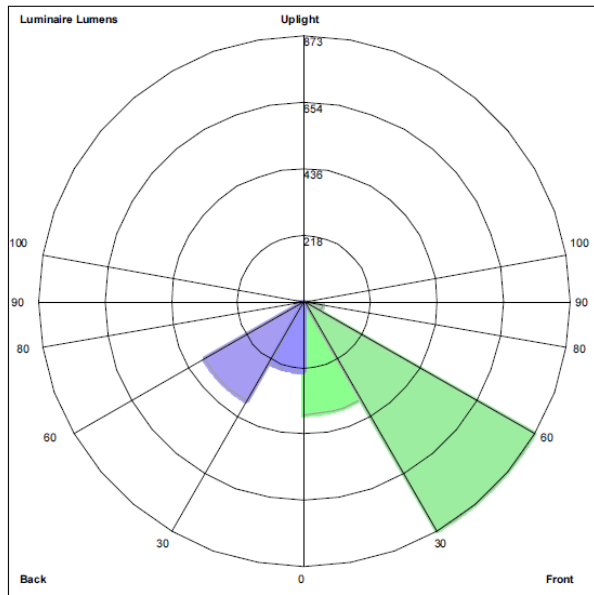
TOSCA BOLLARD SERIES

Photometrics

TOS-B-22W

TOS-B-36W

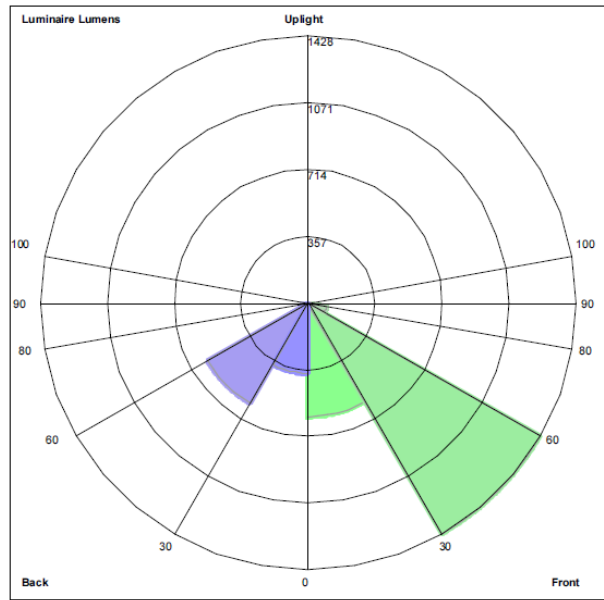
LUMINAIRE CLASSIFICATION SYSTEM (LCS) GRAPH



Luminaire Lumens:
Front: Low=371.8, Medium=672.5, High=80.8, Very High=1.8
Back: Low=230.5, Medium=379.2, High=22.2, Very High=1.2
Uplight: Low=0.0, High=0.0

BUG Rating : B1-U0-G0

LUMINAIRE CLASSIFICATION SYSTEM (LCS) GRAPH



Luminaire Lumens:
Front: Low=608.4, Medium=1427.8, High=99.5, Very High=3.0
Back: Low=377.3, Medium=620.4, High=36.3, Very High=2.0
Uplight: Low=0.0, High=0.0

BUG Rating : B1-U0-G0

Evergreen Lighting
www.evergreenlighting.com

