



**EVERGREEN
LIGHTING**

**EXTERIOR HALF CYLINDER SCONCE
WNWL-36W-9-WF-TLBL-WET-39"**

SPECIFICATION FEATURES		Date 06-28-16
Dimensions	39" H X 9" W X 6" D	
Lamps	36 watts of LED-	
Material	Aluminum	
Finish	STD Powdercoat TBD	
Lens	White Frosted Acrylic	
Label	ETL Wet Location	
Weight	23 lbs	
Type		
Description	Exterior Sconce	

PROJECT:

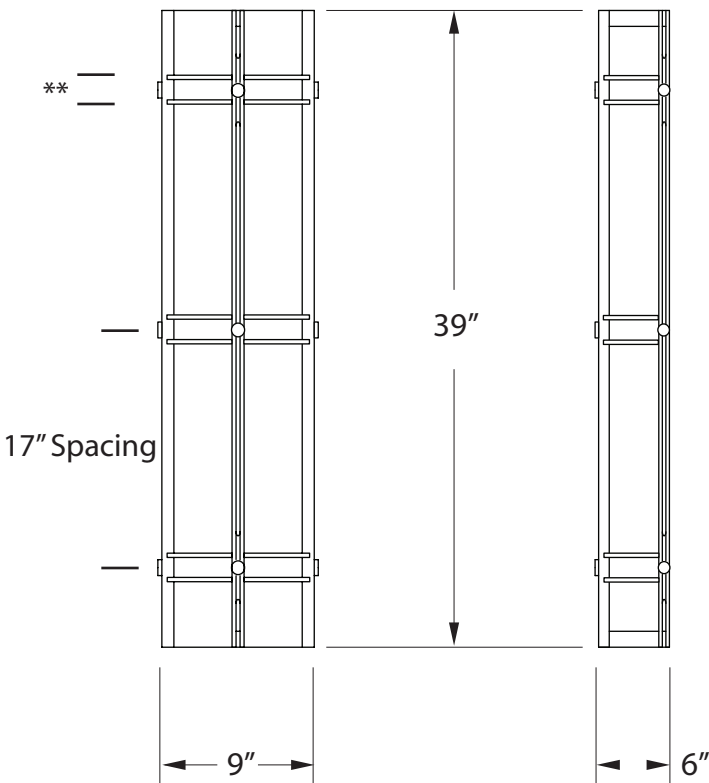
SPECIFIER:

Top and Bottom Lens



(6) 1/4" Aluminum plate

** 2" Spacing



Nut Buttons are 1" diameter x 3/8" high

Square bar is 1" x 1"

Lens is 6 13/16" W x 4 1/4" Deep

EVERGREEN LIGHTING WWW.EVERGREENLIGHTING.COM
1379 Ridgway St. Pomona, CA 91768 PHONE: (909) 865-5599 FAX: (909) 865-5539

MADE IN USA ● Information appearing hereon is proprietary and confidential and may not be used without the permission of Evergreen Lighting.