



**EVERGREEN
LIGHTING**

ARM MOUNT

GL-MODUP-60W-9-9-35K-15X18

SPECIFICATION FEATURES

Date
04-24-19

PROJECT:

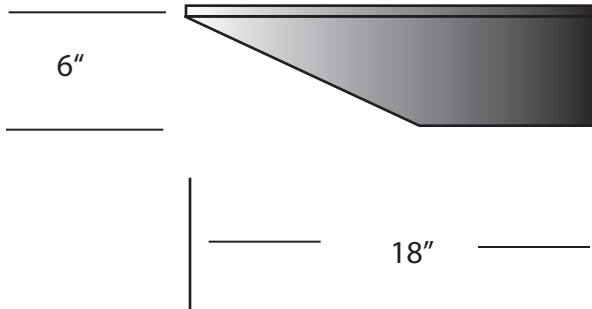
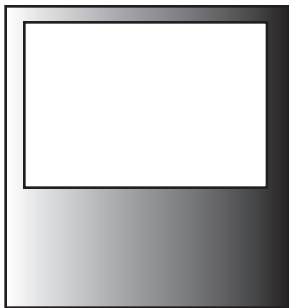
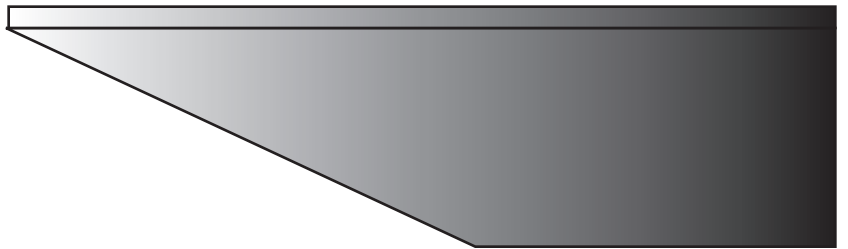
SPECIFIER:

Dimensions	15" W x 6"H x 18" deep
Lamps	60 watts of Alta LED- 3500K
Material	Paintlok 18 Gauge
Finish	STD Powdercoat TBD
Lens	Clear Glass
Label	WET Location
Voltage	120 / 277
Description	ARM Mount Exterior

6,000 Delivered Lumens

Up light only

Natatorium application



EVERGREEN LIGHTING WWW.EVERGREENLIGHTING.COM
1379 Ridgeway St. Pomona, CA 91768 PHONE: (909) 865-5599 FAX: (909) 865-5539



MADE IN USA ● Information appearing hereon is proprietary and confidential and may not be used without the permission of Evergreen Lighting.

MADE IN USA