



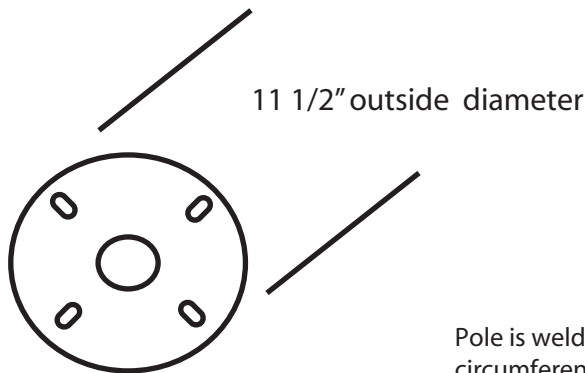
**EVERGREEN
LIGHTING**

Anchor base BOLT DOWN POLE
7.5AB3-AL-RD-RDBS

SPECIFICATION FEATURES		Date
		01-03-17
Dimensions	7.5 Foot H X 3" O.D.	
Lamps	N/A	
Material	Aluminum	
Finish	Bronze Powdercoat	
Lens	N/A	
Label	N/A	
Voltage	N/A	
Description	Bolt down pole	
Type		

PROJECT:

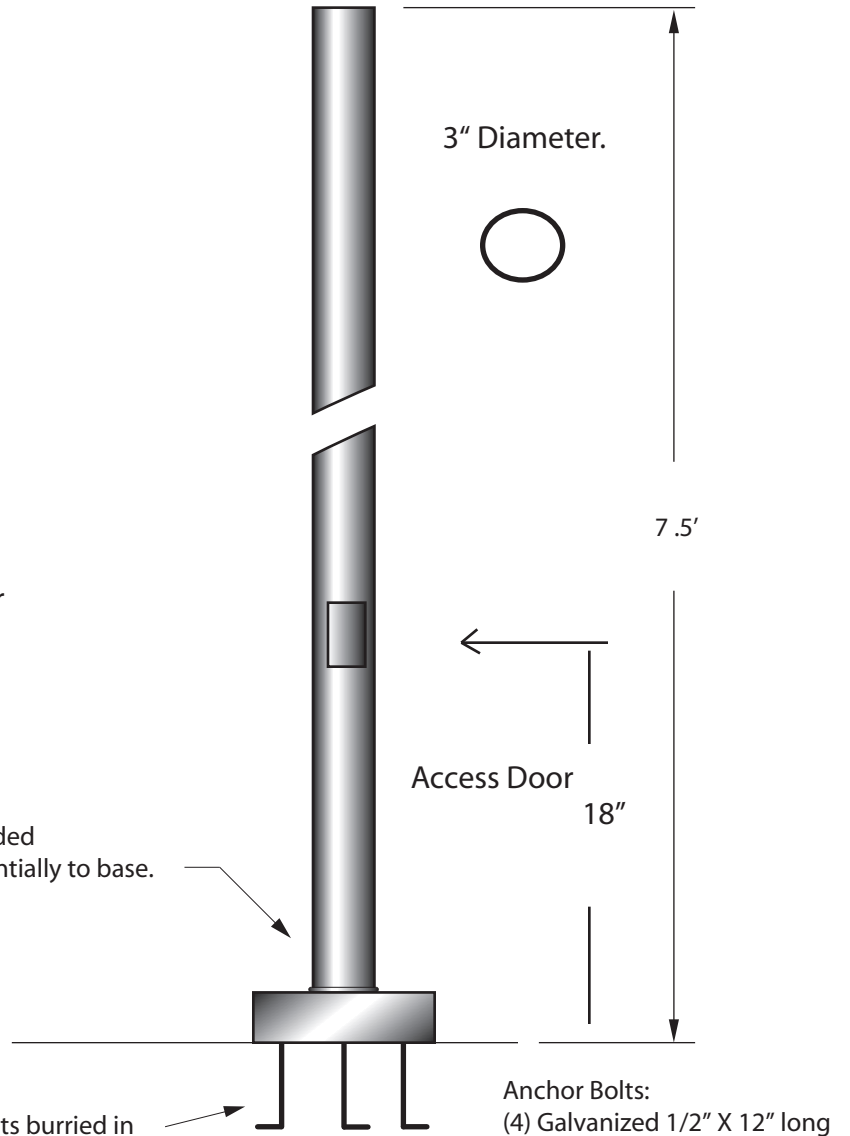
SPECIFIER:



Base is 11 1/2" X 1/2" thick

Pole is welded circumferentially to base.

Anchor bolts buried in cement footing (Footing designed and installed by others)



EVERGREEN LIGHTING WWW.EVERGREENLIGHTING.COM
1379 Ridgeway St. Pomona, CA 91768 PHONE: (909) 865-5599 FAX: (909) 865-5539



MADE IN USA ● Information appearing hereon is proprietary and confidential and may not be used without the permission of Evergreen Lighting.

MADE IN USA