



**EVERGREEN  
LIGHTING**

**PENDANT FIXTURE  
803309P-40LED-9-WF-RD-CSM**

REV: 0

**SPECIFICATION FEATURES**

Date  
01-11-16

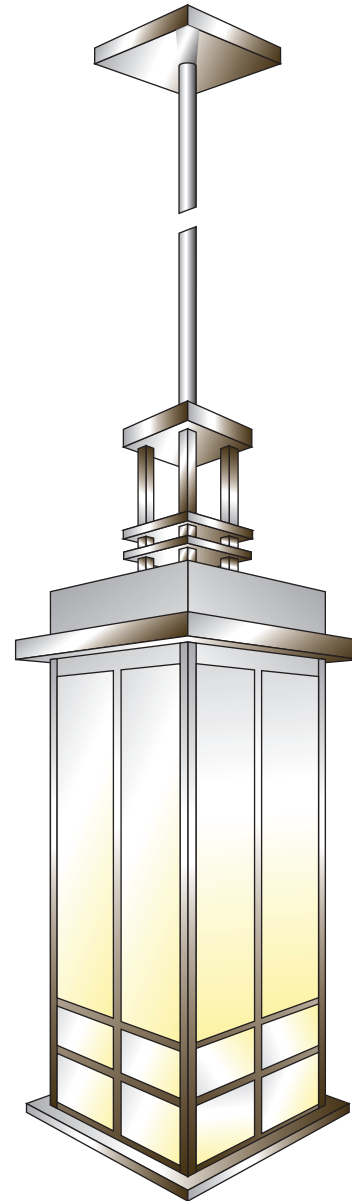
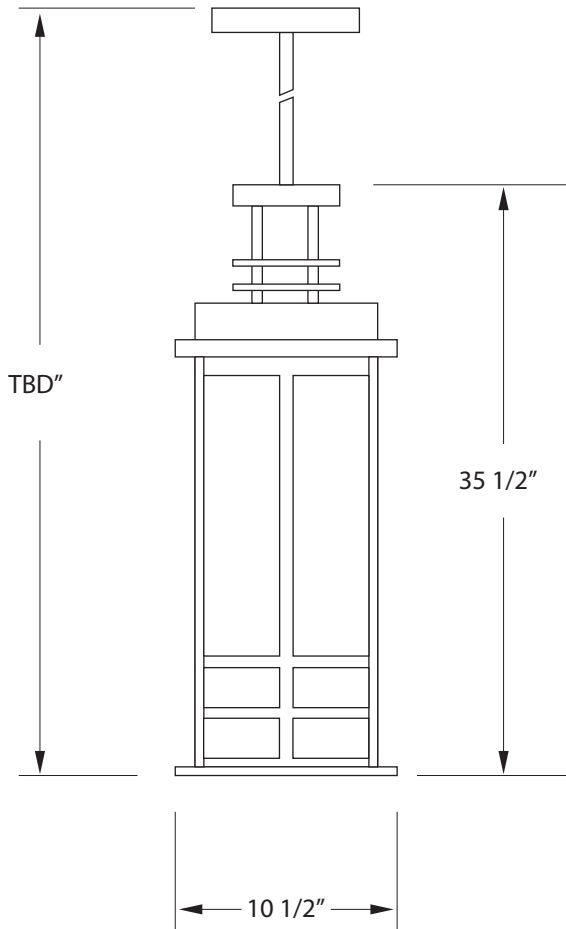
PROJECT:

Forest Outreach Berea College

SPECIFIER:

Lumenation

|             |                                  |
|-------------|----------------------------------|
| Dimensions  | 35 1/2" H X 10 1/2" W X TBD" OAH |
| Lamps       | 40 Watts Alta LED-3000K          |
| Material    | Aluminum                         |
| Finish      | Statuary Bronze Powdercoat       |
| Lens        | White Frosted Acrylic            |
| Label       | Damp Location                    |
| Voltage     | 120/277                          |
| Description | Pendant Fixture                  |



Bottom Lens

EVERGREEN LIGHTING WWW.EVERGREENLIGHTING.COM  
1379 Ridgeway St. Pomona, CA 91768 PHONE: (909) 865-5599 FAX: (909) 865-5539



MADE IN USA ● Information appearing hereon is proprietary and confidential and may not be used without the permission of Evergreen Lighting.