



**EVERGREEN  
LIGHTING**

**SQUARE CYLINDER ARM MOUNT  
CYLSQ-ARM-30W-UP-10X6-9-CFA-WET**

REV: 0

**SPECIFICATION FEATURES**

Date  
09-21-18

PROJECT:

SPECIFIER:

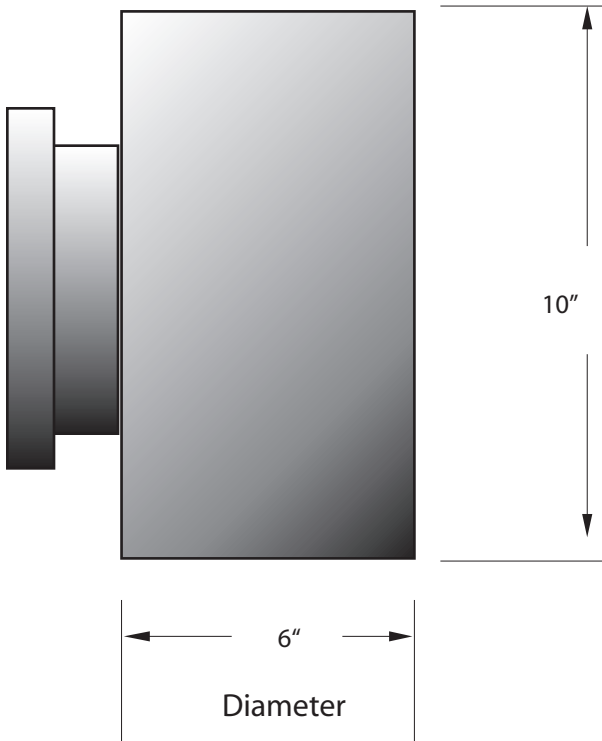
Dimensions	10" h x 6" x 6" x 8 1/2" E
Lamps	30 watts of LED- 3000K
Material	Aluminum
Finish	Standard Powder coat TBD
Lens	Clear Frosted Acrylic
Label	WET Location
Voltage	120 / 277
Description	Cylinder Arm - UP Light
Type	

Up Light ONLY

FRONT VIEW    Top Lens



2,700 lumens



Solid Bottom

EVERGREEN LIGHTING    WWW.EVERGREENLIGHTING.COM  
1379 Ridgeway St. Pomona, CA 91768    PHONE: (909) 865-5599    FAX: (909) 865-5539



MADE IN USA    ● Information appearing hereon is proprietary and confidential and may not be used without the permission of Evergreen Lighting.

**MADE IN USA**