



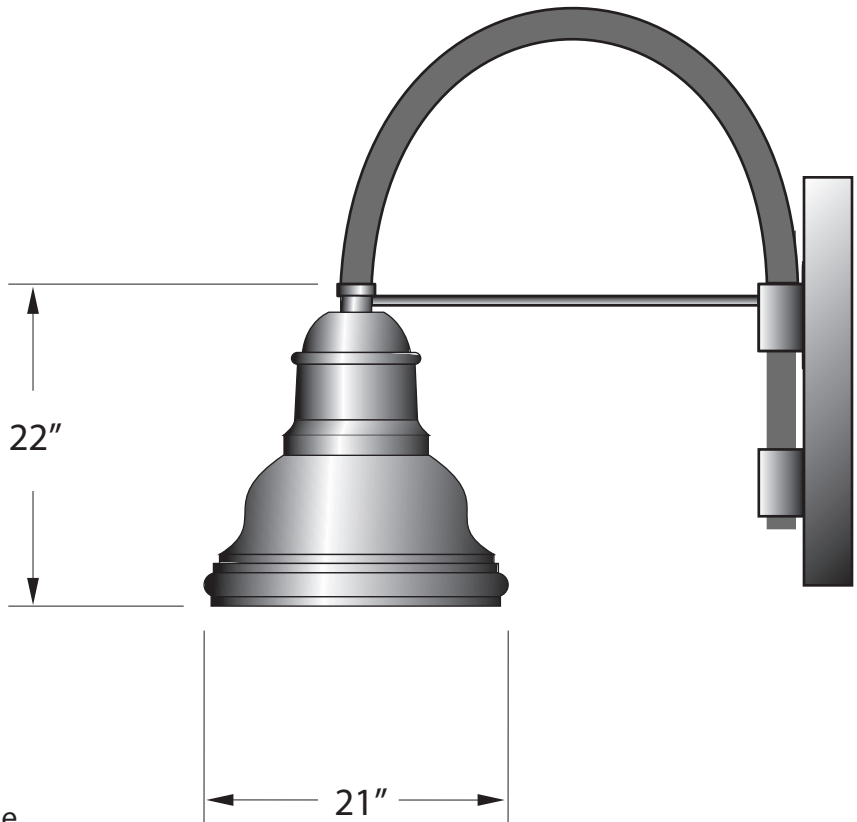
**EVERGREEN  
LIGHTING**

## Wall MOUNT LANTERN LHW-WL2-60L-MBK-CP-22"

SPECIFICATION FEATURES		Date
		12-05-18
Dimensions	22" H X 21" Dia.	
Lamps	60 Watts Alta LED - 5000K	
Material	Aluminum	
Finish	Matte Black Powdercoat	
Lens	Clear Polycarbonate	
Label	Wet Location	
Voltage	120/277	
Description	Wall Mount Lantern	

PROJECT: North Williams

SPECIFIER:



Concept drawings are not to scale.

EVERGREEN LIGHTING [WWW.EVERGREENLIGHTING.COM](http://WWW.EVERGREENLIGHTING.COM)  
1379 Ridgway St. Pomona, CA 91768 PHONE: (909) 865-5599 FAX: (909) 865-5539

MADE IN USA ● Information appearing hereon is proprietary and confidential and may not be used without the permission of Evergreen Lighting.