



**EVERGREEN
LIGHTING**

ARM MOUNT LANTERN

LTN21-ARM-2SCL-DP-20LED-1-HO-EMR700

REV: 0

SPECIFICATION FEATURES

Date
04-12-18

PROJECT:

Springville

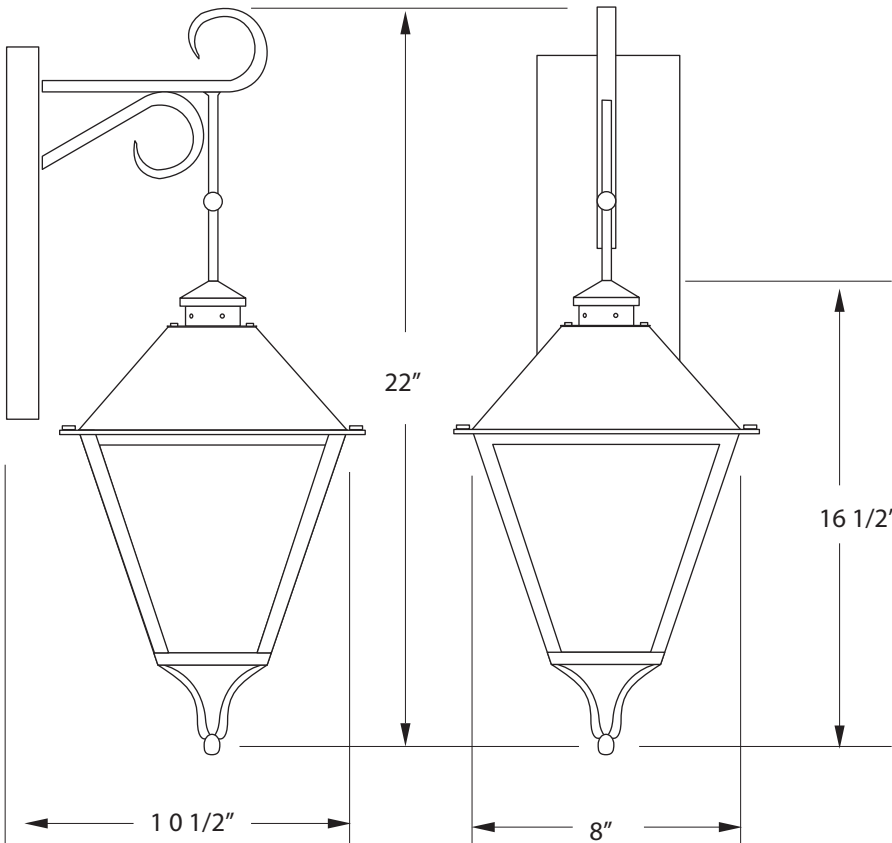
SPECIFIER:

Dimensions	see drawing
Lamps	20 watts of LED - 2700K
Material	Aluminum
Finish	Bronze Powdercoat
Lens	Honey Onyx Acrylic
Label	Wet Location
Voltage	120 / 277
Description	double scroll arm mount

Wall Canopy: 11" H x 4 1/2" W x 1 1/2" D



1" Wide x 1/2" Bar



Drawings are not to scale

TYPE : FX5

EVERGREEN LIGHTING WWW.EVERGREENLIGHTING.COM
1379 Ridgeway St. Pomona, CA 91768 PHONE: (909) 865-5599 FAX: (909) 865-5539



MADE IN USA ● Information appearing hereon is proprietary and confidential and may not be used without the permission of Evergreen Lighting.

MADE IN USA