



**EVERGREEN
LIGHTING**

**ARM MOUNT LANTERN
LTN21-ARM-2SCL-12LED-1-HO**

REV: 4

SPECIFICATION FEATURES

Date
10-04-14

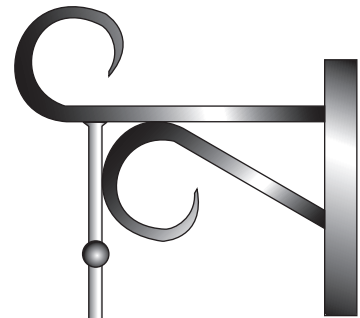
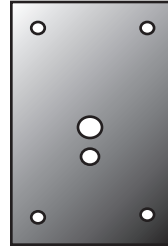
PROJECT:

Veterans Village

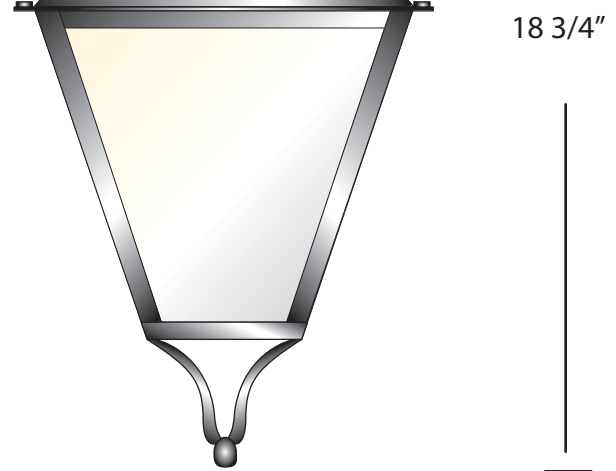
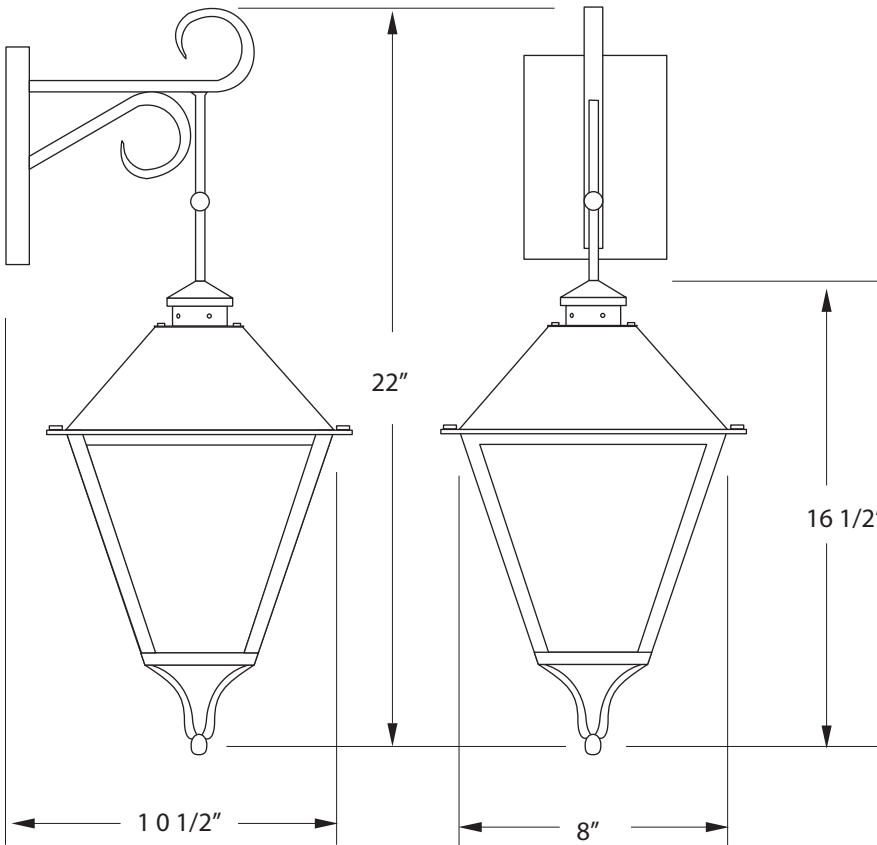
SPECIFIER:

Dimensions	see drawing
Lamps	12 watt Alta LED - 2700K
Material	Aluminum
Finish	Bronze Powdercoat
Lens	Honey Onyx Acrylic
Label	Wet Location
Voltage	120
Description	double scroll arm mount

Wall Canopy: 4 5/8" H x 4" W x 5/8" D



1" Wide x 1/2" Bar



Bottom of the fixture to the center of the canopy is 18 3/4"

Drawings are not to scale

EVERGREEN LIGHTING WWW.EVERGREENLIGHTING.COM
1379 Ridgeway St. Pomona, CA 91768 PHONE: (909) 865-5599 FAX: (909) 865-5539



MADE IN USA ● Information appearing hereon is proprietary and confidential and may not be used without the permission of Evergreen Lighting.

MADE IN USA