



**EVERGREEN
LIGHTING**

WALL SCONCE

AAWL-54L-AB-WF-4SQ-TLBL-WET

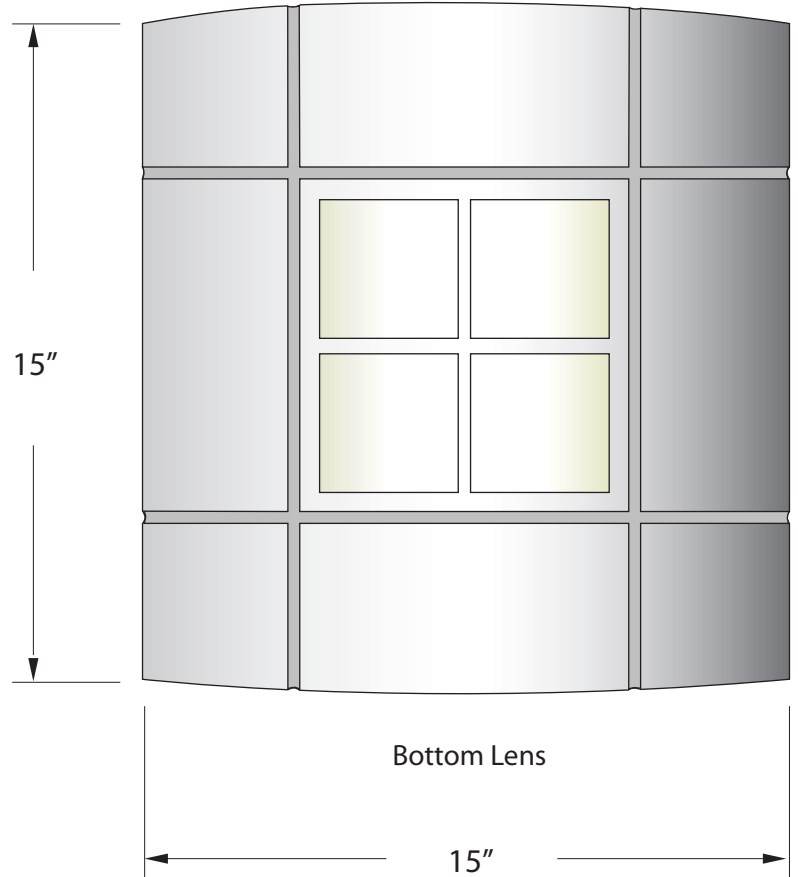
SPECIFICATION FEATURES		Date
		12-07-18
Dimensions	15" H X 15" W X 6" D	
Lamping	54 watts of LED - 4100K	
Material	Aluminum	
Finish	Architectural Bronze	
Lens	White Frosted acrylic	
Label	ETL Wet Location	
Weight	18 lbs	
Voltage	120/277	
Description	Exterior Wall Sconce	

PROJECT:

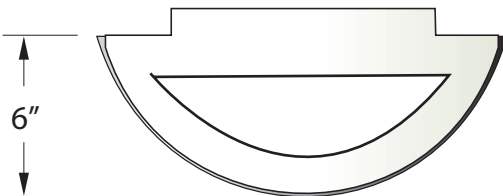
SPECIFIER:

5,940 total lumens

Top Lens



Top View



EVERGREEN LIGHTING WWW.EVERGREENLIGHTING.COM
1379 Ridgway St. Pomona, CA 91768 PHONE: (909) 865-5599 FAX: (909) 865-5539

MADE IN USA ● Information appearing hereon is proprietary and confidential and may not be used without the permission of Evergreen Lighting.