



**EVERGREEN
LIGHTING**

**EXTERIOR WALL
ANGDN-14"-12L-9-9-WET**

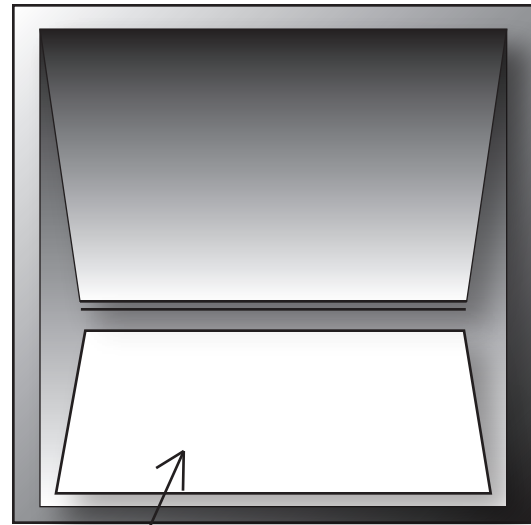
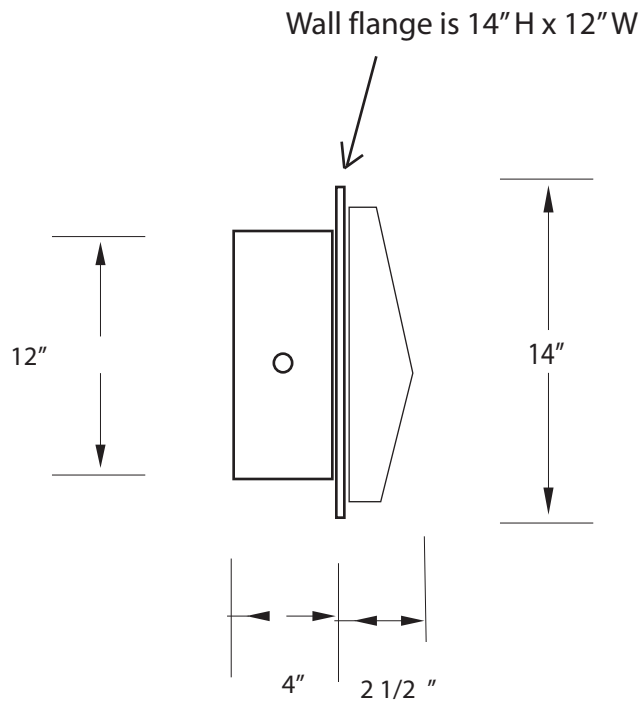
REV: 1

SPECIFICATION FEATURES	Date 11-06-17
------------------------	------------------

PROJECT:

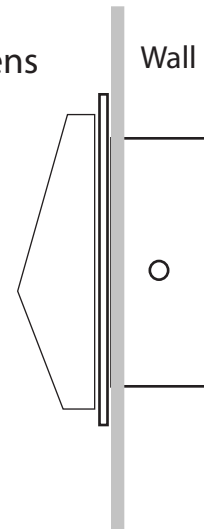
Dimensions	14" x 12"
Lamps	12 watts of LED - 3000 K
Material	Aluminum
Finish	Standard Powdercoat TBD
Lens	White Frosted acrylic
Label	Wet Location
Voltage	120 / 277
Description	Exterior Wall Fixture

SPECIFIER:



White Frosted acrylic lens

Wall



○ KO = Knock outs, sides, back, and bottom

Recessed box is 12"x 12"x 4" Deep

EVERGREEN LIGHTING WWW.EVERGREENLIGHTING.COM
1379 Ridgeway St. Pomona, CA 91768 PHONE: (909) 865-5599 FAX: (909) 865-5539



MADE IN USA ● Information appearing hereon is proprietary and confidential and may not be used without the permission of Evergreen Lighting.

MADE IN USA