



**EVERGREEN  
LIGHTING**

## Custom Bollard

ANGHD-BOL-12L-42"-MBK-WF

SPECIFICATION FEATURES		Date 02-21-19
Dimensions	42" H x 6" x 6"	
Lamps	12 watts of LED- 4100K	
Material	Aluminum	
Finish	Matte Black	
Lens	White Frosted Acrylic	
Label	WET Location	
Voltage	120 / 277	
Description	Anchor base bollard	

PROJECT:

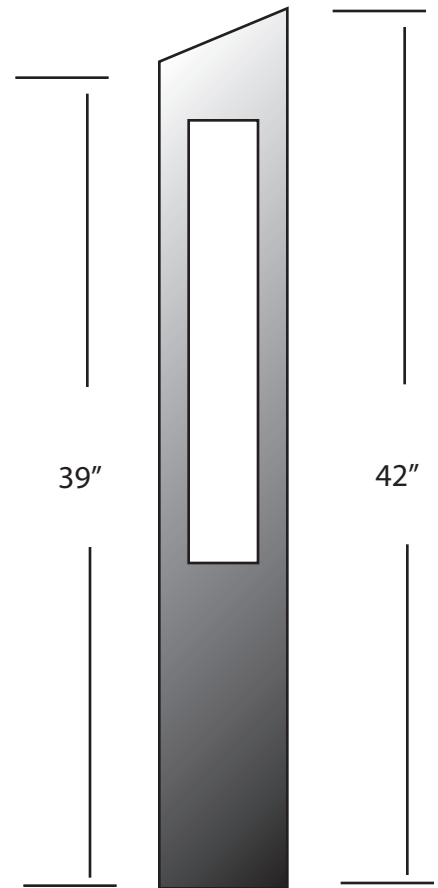
SPECIFIER:

Reference:

Front    Left    Back    Right



Lens area: 19" H x 4"



Internal base plate - Kit and anchor bolts included

Concept drawings are not to scale.

EVERGREEN LIGHTING WWW.EVERGREENLIGHTING.COM  
1379 Ridgeway St. Pomona, CA 91768 PHONE: (909) 865-5599 FAX: (909) 865-5539



MADE IN USA ● Information appearing hereon is proprietary and confidential and may not be used without the permission of Evergreen Lighting.

**MADE IN USA**