



**EVERGREEN
LIGHTING**

**30 SERIES Bollard Special
B30618L-SPL-42"-MBK-WF-41K**

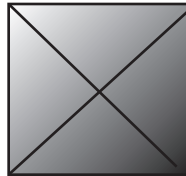
SPECIFICATION FEATURES	Date 05-14-19
-------------------------------	------------------

PROJECT:

SPECIFIER:

Dimensions	42" High - 6" x 6"
Lamps	18 watts of LED- 4100K
Material	Aluminum
Finish	Matte Black Powdercoat
Lens	1/8" white Frosted acrylic
Label	Wet Location
Voltage	120 / 277
Description	30 Series Special

Top View

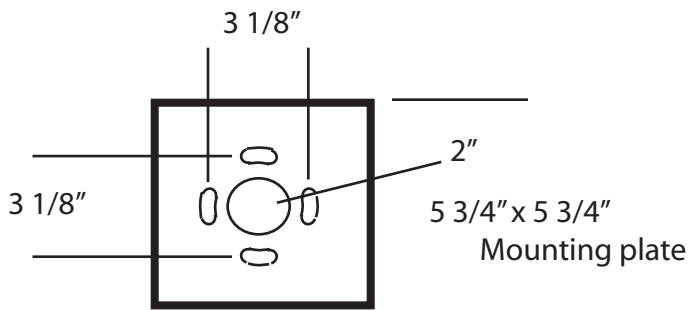


Decorative Exterior strap design on all 4 sides.

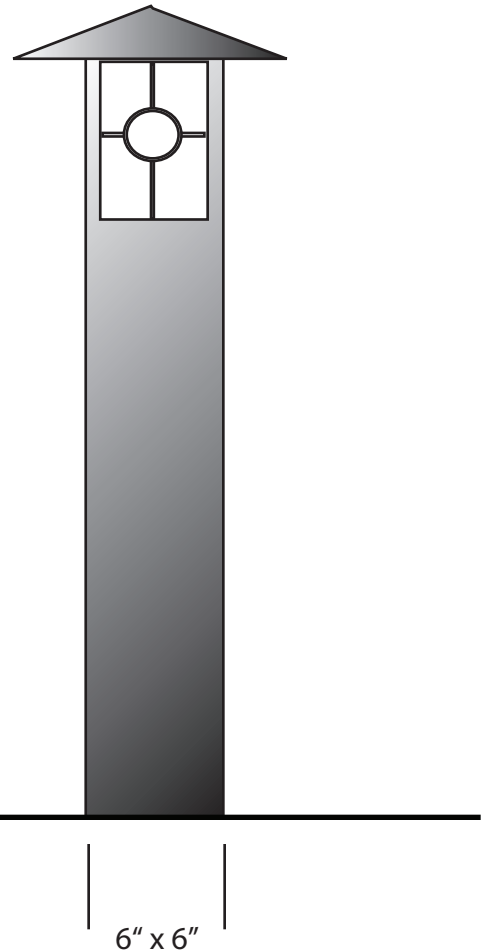
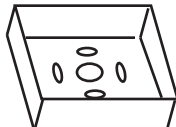
(4) Existing bolts are 3 1/8" center to center

Special Bolt Pattern

Existing (4) 3/8" Bolts - base plate kit included



Mounting plate 5 3/4" Square
With (4) Slots drilled for existing bolts



Concept drawing is not to scale.

EVERGREEN LIGHTING WWW.EVERGREENLIGHTING.COM
1379 Ridgeway St. Pomona, CA 91768 PHONE: (909) 865-5599 FAX: (909) 865-5539



MADE IN USA ● Information appearing hereon is proprietary and confidential and may not be used without the permission of Evergreen Lighting.

MADE IN USA