



**EVERGREEN
LIGHTING**

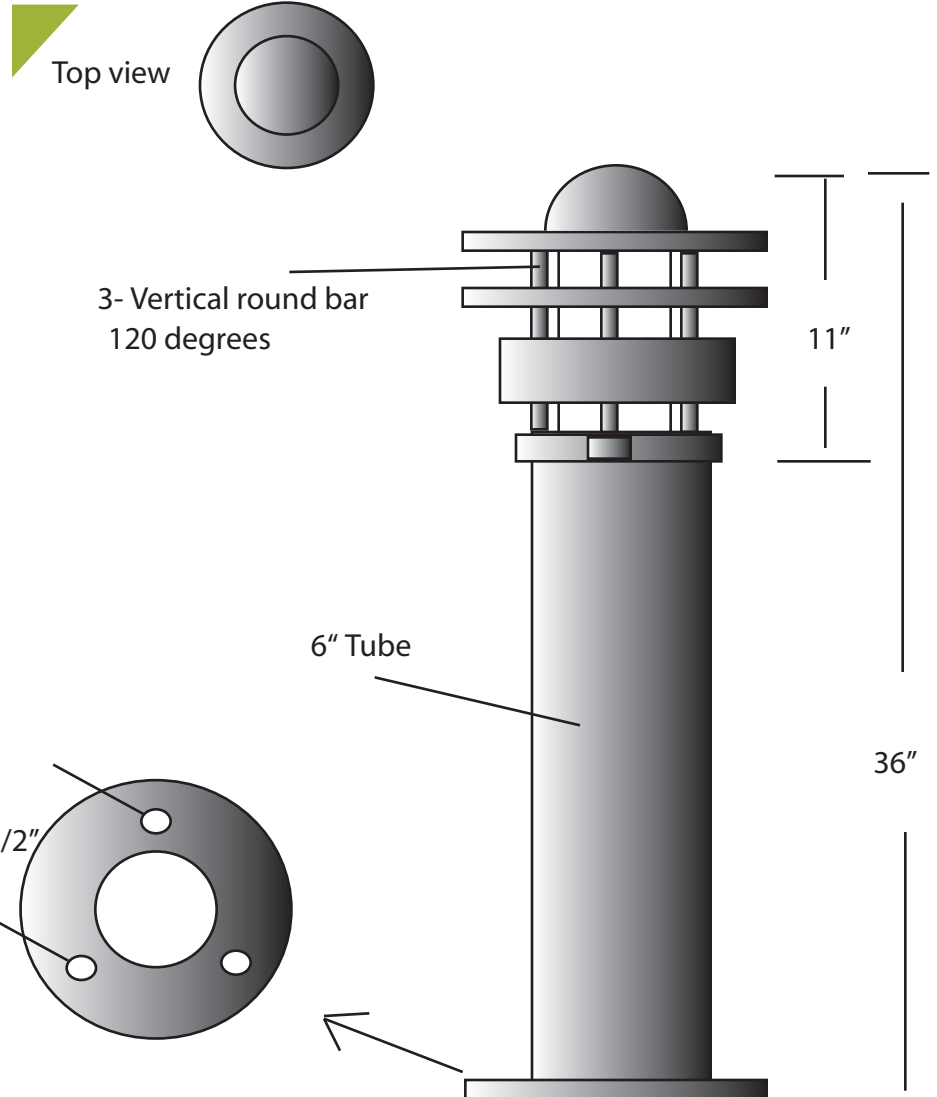
Bollard

BOL-OVHD-36"-24W-9-WF

SPECIFICATION FEATURES		Date 04-16-19
Dimensions	36" high x 6" tube	
Lamps	24 watts of LED - specify Kelvin	
Material	Aluminum	
Finish	STD Powdercoat TBD	
Lens	white Frosted Acrylic	
Label	WET Location	
Voltage	120 / 277	
Description	Bollard	

PROJECT:	Riverside community College
SPECIFIER:	

Kelvin Temp's ... Delivered Lumens per watt and CRI
 27K= 2700K ... 80 Lumens Per Watt/ 95 CRI
 30K= 3000K ... 90 LPW / 95 CRI
 35K= 3500K ... 100 LPW / 94 CRI
 41K= 4100K ... 110 LPW / 93 CRI
 50K= 5000K ... 120 LPW / 92 CRI



Concept drawings are not to scale.

EVERGREEN LIGHTING WWW.EVERGREENLIGHTING.COM
 1379 Ridgeway St. Pomona, CA 91768 PHONE: (909) 865-5599 FAX: (909) 865-5539



MADE IN USA ● Information appearing hereon is proprietary and confidential and may not be used without the permission of Evergreen Lighting.

MADE IN USA