



**EVERGREEN
LIGHTING**

**POST MOUNT
CYLPST-12LED-9-A-13X7**

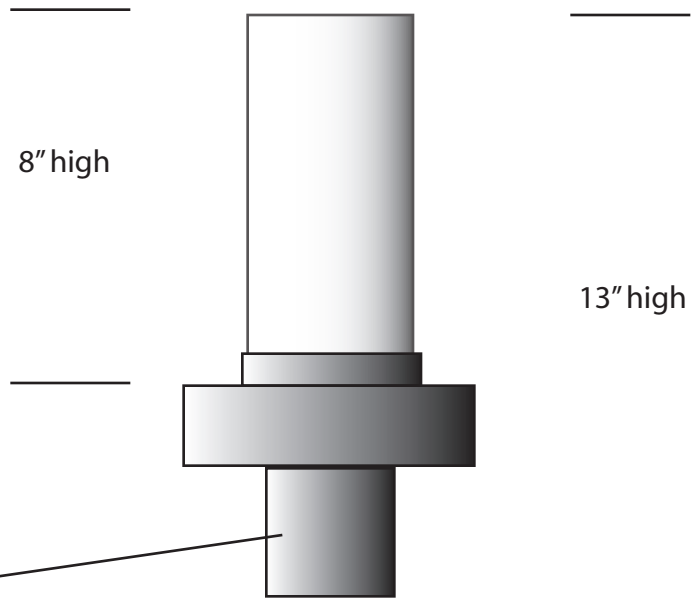
SPECIFICATION FEATURES		Date 12-14-18
Dimensions	13" H x 6 1/2" Square	
Lamps	12 watts of LED- 3000K	
Material		
Finish	Standard powdercoat finish TBD	
Lens	White acrylic	
Label	WET Location	
Voltage	120 / 277	
Description	Exterior Fixture	

PROJECT: Habit Burger

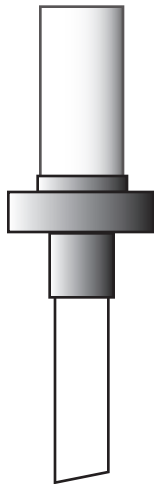
SPECIFIER:

Acrylic : 4" diameter x 8" High

With Top lens

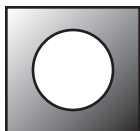


Fixture head part number only



3" round pole by others

6 1/2" Sq.



Top View

Concept drawings are not to scale.

EVERGREEN LIGHTING WWW.EVERGREENLIGHTING.COM
1379 Ridgeway St. Pomona, CA 91768 PHONE: (909) 865-5599 FAX: (909) 865-5539



MADE IN USA ● Information appearing hereon is proprietary and confidential and may not be used without the permission of Evergreen Lighting.

MADE IN USA