



**EVERGREEN
LIGHTING**

ARM MOUNT

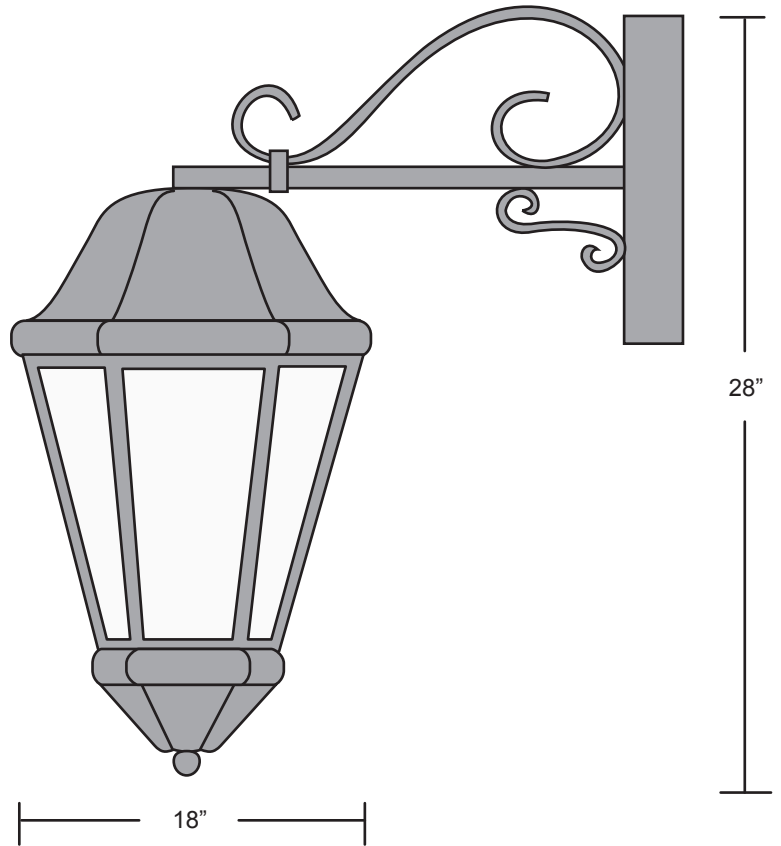
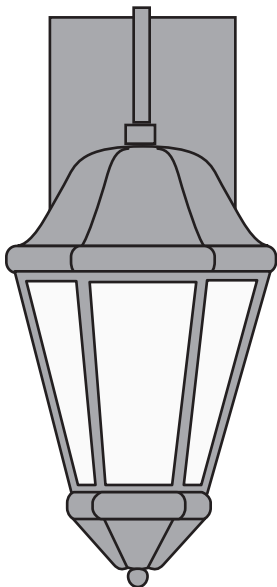
FLO2209-20W-9-WF-CSM-30K

| | | |
|------------------------|------------------------|------------------|
| SPECIFICATION FEATURES | | Date 06-24-19 |
| Dimensions | 28" h x 18" W x 24" E | |
| Lamps | 20 watts of LED- 3000K | |
| Material | Paintlok | |
| Finish | STD Powdercoat TBD | |
| Lens | White Frosted Acrylic | |
| Label | WET Location | |
| Voltage | 120 / 277 | |
| Description | ARM Mount Exterior | |

PROJECT:

SPECIFIER:

1,800 lumens



Drawings are not to scale.

EVERGREEN LIGHTING WWW.EVERGREENLIGHTING.COM
1379 Ridgeway St. Pomona, CA 91768 PHONE: (909) 865-5599 FAX: (909) 865-5539



MADE IN USA ● Information appearing hereon is proprietary and confidential and may not be used without the permission of Evergreen Lighting.

MADE IN USA