



**EVERGREEN
LIGHTING**

FLORENCE POST TOP

FLO4309-90LED-99C-28"-12AB3-X442

REV: 0

SPECIFICATION FEATURES

Date
04-26-19

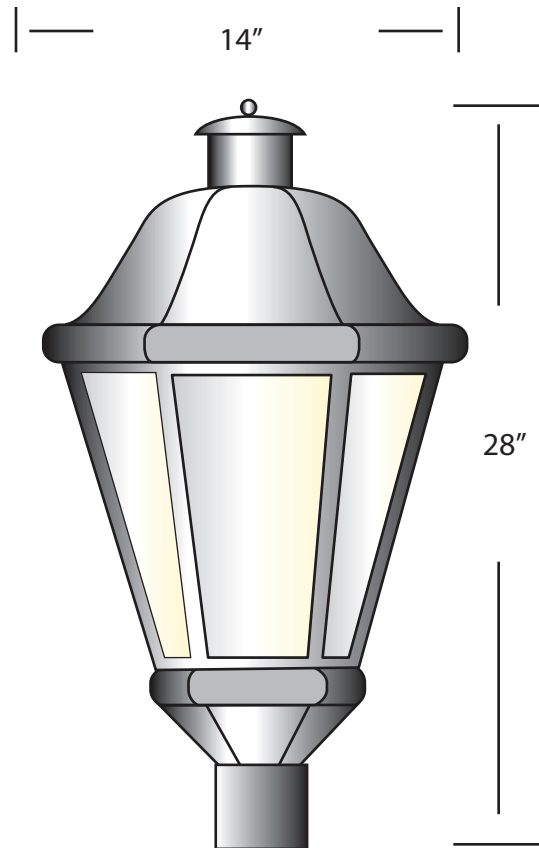
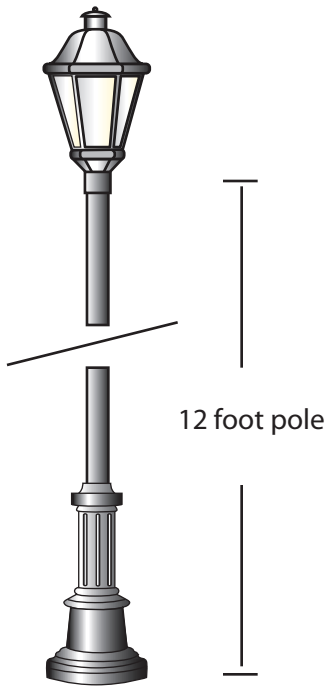
PROJECT:

Sierra Vista Apts.

SPECIFIER:

Dimensions	See drawing
Lamps	90 watts of LED- 3000 K
Material	Aluminum / Paintlok
Finish	Standard Powdercoat finish TBD
Lens	White Acrylic
Label	Wet Location
Voltage	120 / 277
Description	Post top fixture and pole combo
Type	

8,100 lumens



Slip fitter for a 3" round pole

Drawings are not to scale.

EVERGREEN LIGHTING WWW.EVERGREENLIGHTING.COM
1379 Ridgeway St. Pomona, CA 91768 PHONE: (909) 865-5599 FAX: (909) 865-5539



MADE IN USA ● Information appearing hereon is proprietary and confidential and may not be used without the permission of Evergreen Lighting.

MADE IN USA