



**EVERGREEN
LIGHTING**

Bollard

LDSCP-BOL37-20LED-9-CFA-TP5-30K

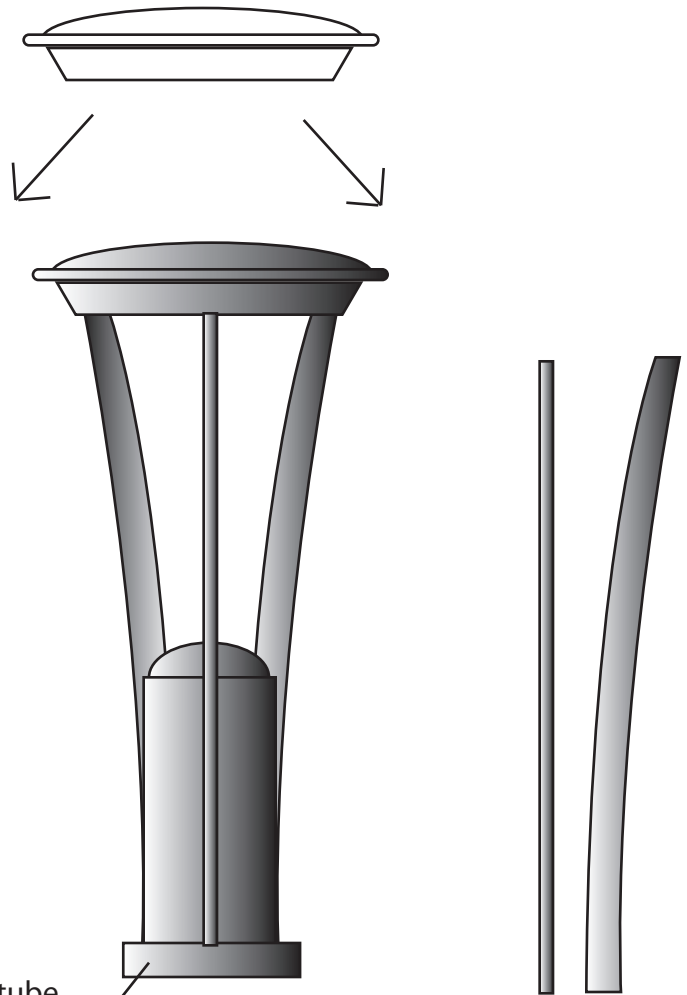
SPECIFICATION FEATURES		Date 05-20-19
Dimensions	37" high x 11" Diameter	
Lamps	20 watt of LED - 3000K	
Material	Aluminum	
Finish	Powdercoat TBD	
Lens	Clear Frosted Acrylic	
Label	WET Location	
Voltage	120 / 277	
Description	Bollard Exterior	

PROJECT:	Omega Tower
SPECIFIER:	

1,800 delivered lumens @ 3000K, with 95 CRI

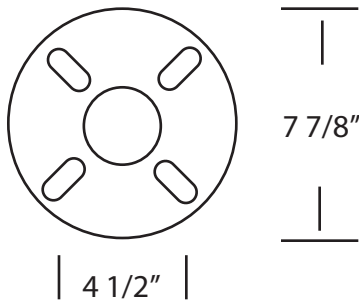
Dark Sky Compliant

Type 5 distribution



Angle view of 7 7/8" base plate - 1/2" thick

Base Plate: 7 7/8"
Center hole: 2" dia.
Bolt holes: (4) Slot style
Center to center- 4 1/2"



Anchor base and kit included.

5" diameter tube

Plate cover 8 5/32" diameter

(4) 1/4" thick decorative fin.

Drawings are not to scale.

EVERGREEN LIGHTING WWW.EVERGREENLIGHTING.COM
1379 Ridgeway St. Pomona, CA 91768 PHONE: (909) 865-5599 FAX: (909) 865-5539



MADE IN USA ● Information appearing hereon is proprietary and confidential and may not be used without the permission of Evergreen Lighting.

MADE IN USA