



**EVERGREEN  
LIGHTING**

Pendant MOUNT

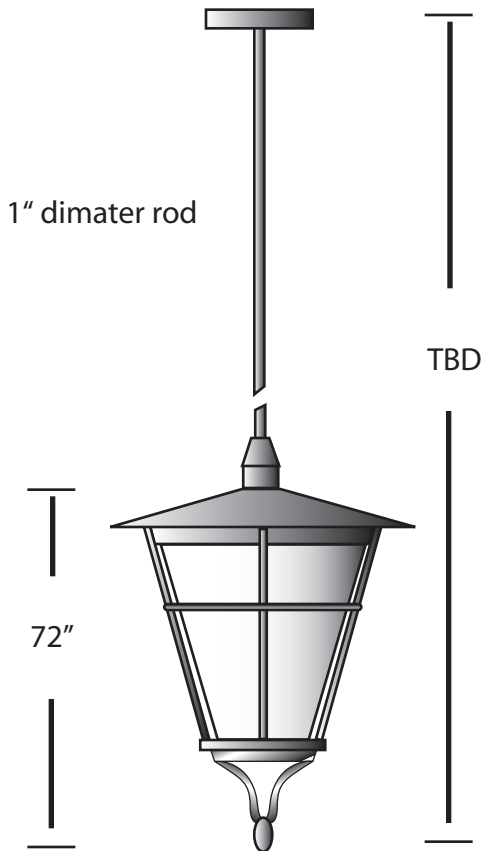
LTN-PEN-72X36-60LED-MBK-WF

SPECIFICATION FEATURES		Date 02-11-19
Dimensions	72" H x 36" W x OAH	
Lamps	60 Watts LED - 3000K	
Material	Aluminum	
Finish	Matte Black Powdercoat	
Lens	White Frosted Acrylic	
Label	Wet Location	
Voltage	120 / 277	
Description	LED Lantern	

PROJECT:

SPECIFIER:

Concept drawings are not to scale

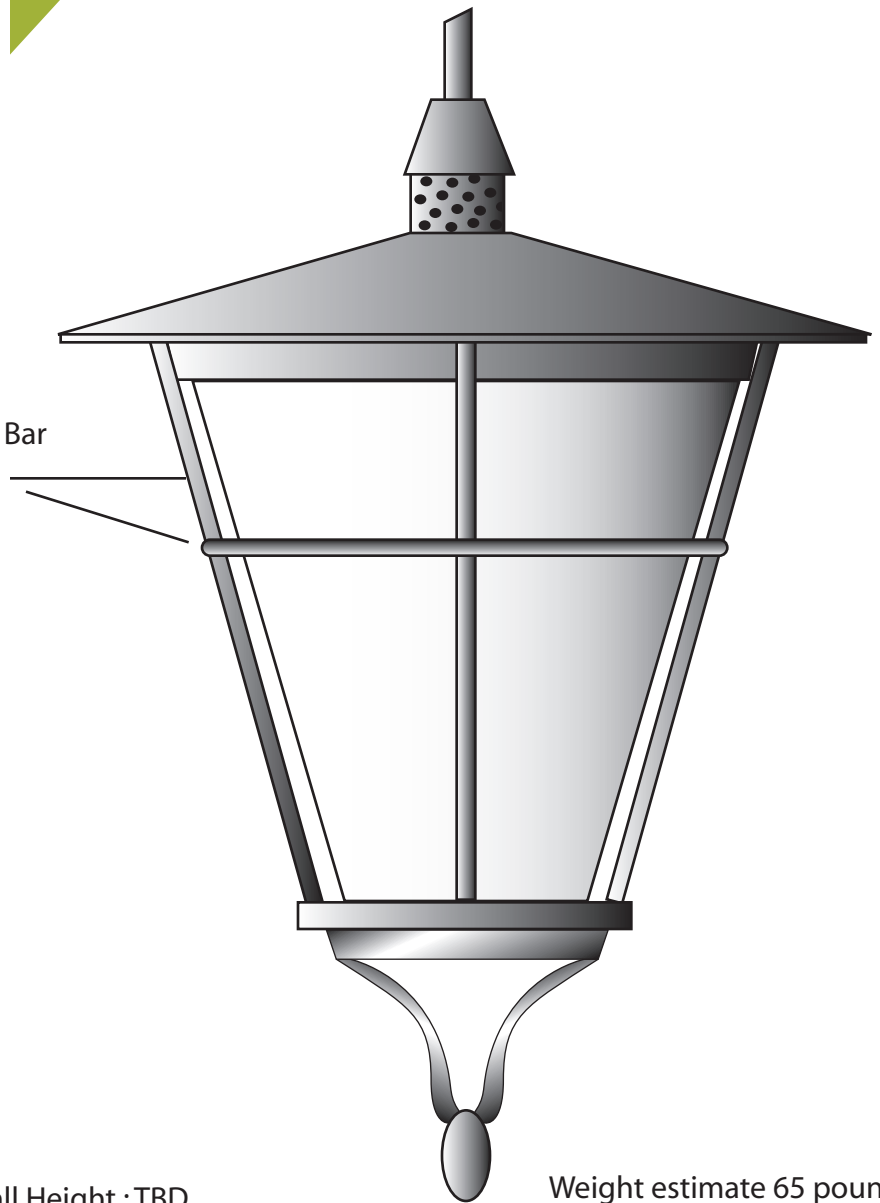


Round Bar

TBD

Overall Height : TBD

Bottom of finial to the ceiling level



Weight estimate 65 pounds

EVERGREEN LIGHTING WWW.EVERGREENLIGHTING.COM  
1379 Ridgeway St. Pomona, CA 91768 PHONE: (909) 865-5599 FAX: (909) 865-5539



MADE IN USA ● Information appearing hereon is proprietary and confidential and may not be used without the permission of Evergreen Lighting.

**MADE IN USA**