



**EVERGREEN
LIGHTING**

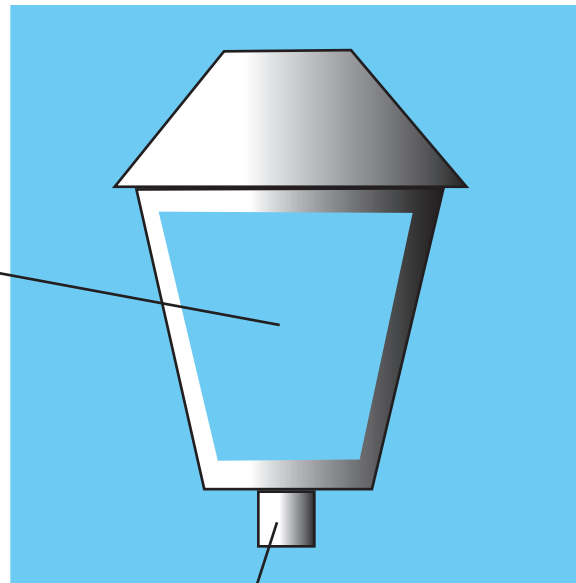
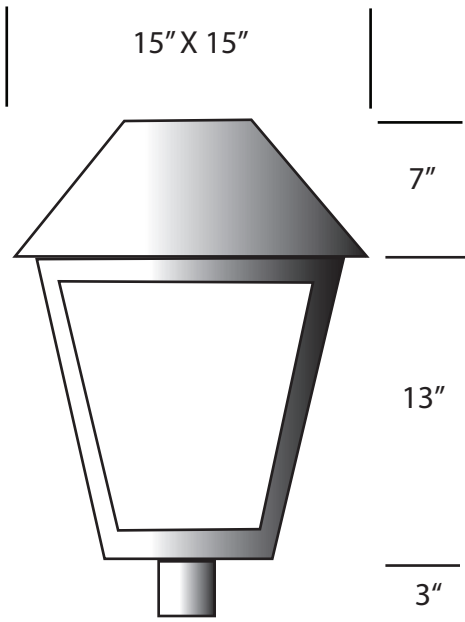
**POST MOUNT - DARK SKY
LTN-PST25X15-1MEDC-DS-9-X**

SPECIFICATION FEATURES		Date 04-19-19
Dimensions	25"H x 15 x 15	
Lamps	1 - Medium base - Ceramic	
Material	Aluminum	
Finish	Standard powdercoat TBD	
Lens	No lens	
Label	WET Location	
Voltage	120 / 277	
Description	Post Mount Exterior	

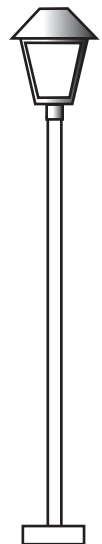
PROJECT:

SPECIFIER:

Lamp in the hood area - Dark Sky fixture



Slip fitter for a 3" round pole



EVERGREEN LIGHTING WWW.EVERGREENLIGHTING.COM
1379 Ridgeway St. Pomona, CA 91768 PHONE: (909) 865-5599 FAX: (909) 865-5539



MADE IN USA ● Information appearing hereon is proprietary and confidential and may not be used without the permission of Evergreen Lighting.

MADE IN USA