



**EVERGREEN
LIGHTING**

Pendant

MAD-STR-BIGHG-22LED-C-99-30K

SPECIFICATION FEATURES

Date
02-20-19

Dimensions 24" T x 12" W

Lamps 22 watts of LED - 3000K

Material Paintlok

Finish Standard Powdercoat TBD

Lens Honey Onyx Acrylic

Label ETL Damp Location

Voltage 120 / 277

Description Large Lantern Pendant

Type S3D

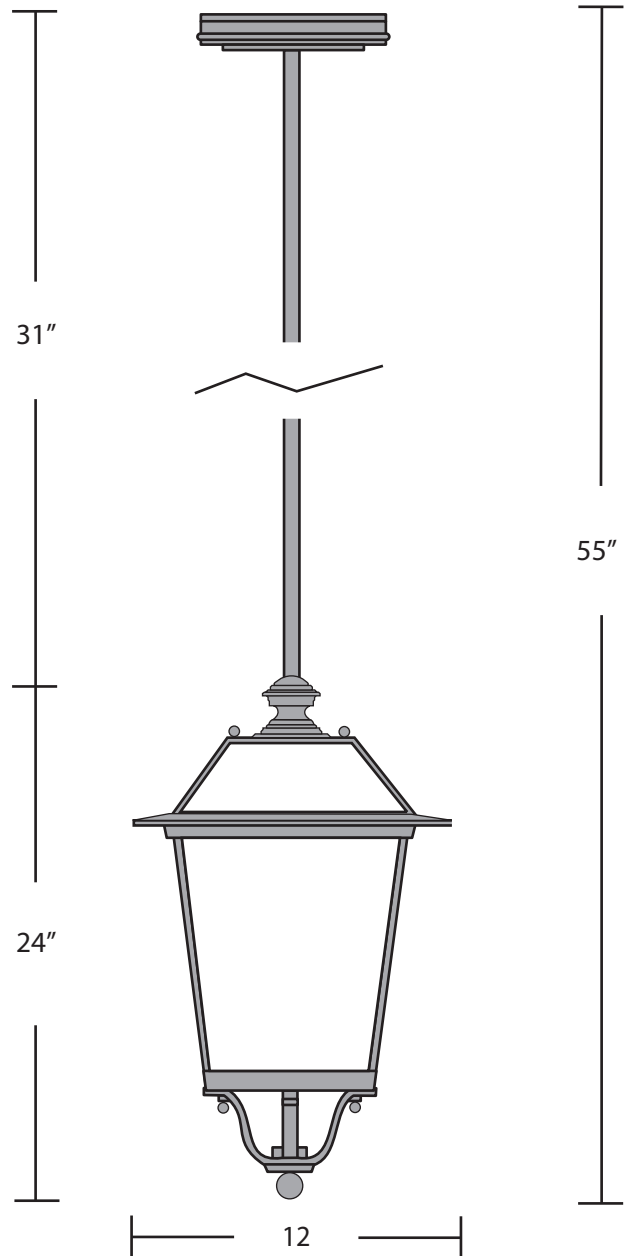
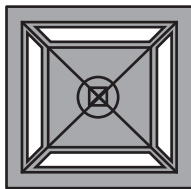
PROJECT:

Montecito Apts R-12B East Montecito Village

SPECIFIER:

Type: S3D

Top View



EVERGREEN LIGHTING WWW.EVERGREENLIGHTING.COM
1379 Ridgway St. Pomona, CA 91768 PHONE: (909) 865-5599 FAX: (909) 865-5539

MADE IN USA ● Information appearing hereon is proprietary and confidential and may not be used without the permission of Evergreen Lighting.