



**EVERGREEN  
LIGHTING**

**HANGING LANTERN  
MAD2BIGHG-4Q-22LED-C-99-30K**

REV: 0

**SPECIFICATION FEATURES**

Date  
02-20-19

PROJECT:

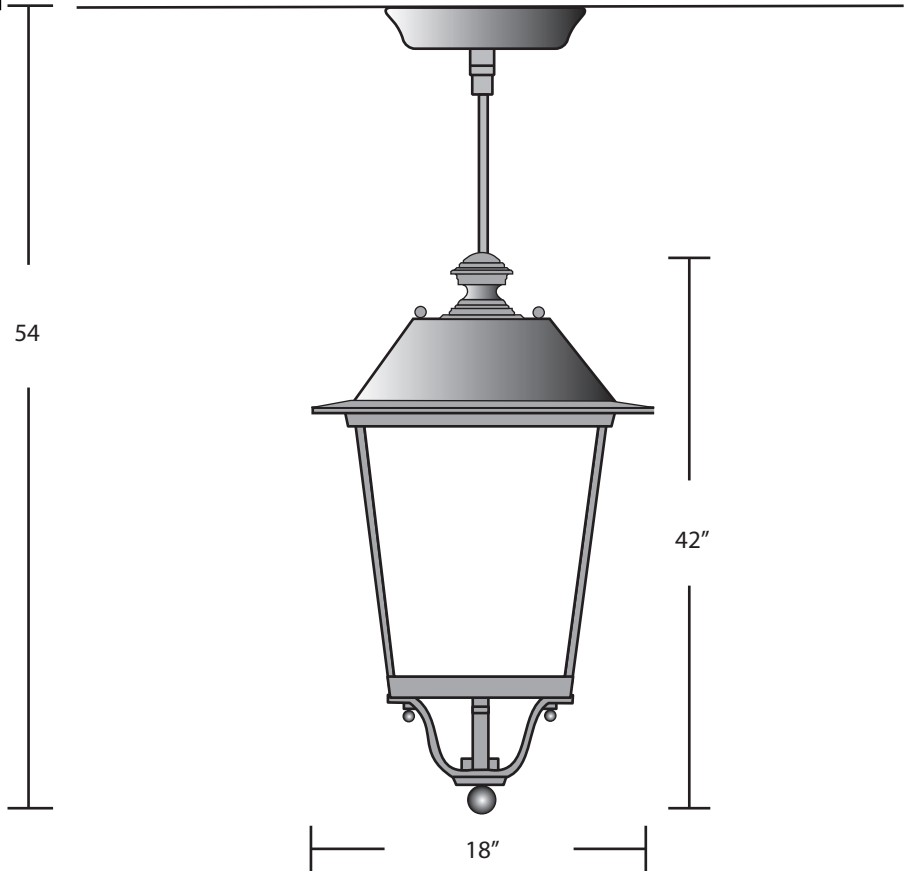
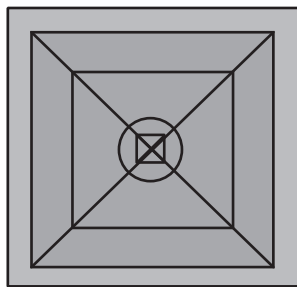
Montecito Apts R-12B East Montecito Village

SPECIFIER:

Dimensions	42" H X 18" W X 54" OAH
Lamps	22 watts of LED - 3000 K
Material	Aluminum
Finish	Standard Powdercoat TBD
Lens	White Frosted Acrylic
Label	Wet Location
Voltage	120 / 277
Description	Hanging Lantern
Type	S3C

Type: S3C

Top View



**MADE IN USA**

EVERGREEN LIGHTING WWW.EVERGREENLIGHTING.COM  
1379 Ridgeway St. Pomona, CA 91768 PHONE: (909) 865-5599 FAX: (909) 865-5539



MADE IN USA ● Information appearing hereon is proprietary and confidential and may not be used without the permission of Evergreen Lighting.