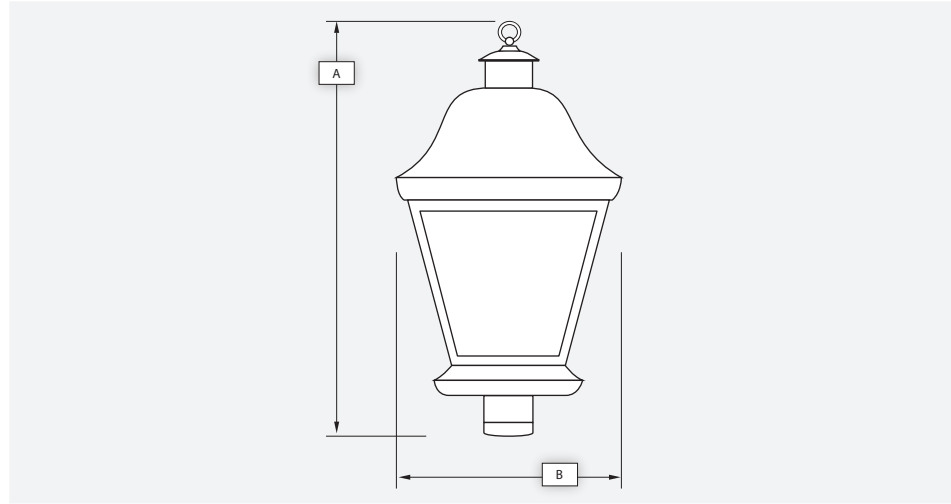




**MADRID**

Catalog #		Type
Project		
Description		Date

**POST MOUNT**



**Standard Features**

**Material**  
Paintlok sheet; Standard Powdercoat Finish, White Acrylic Lens; .125 thickness, ETL Wet Location.

**Installation**  
N/A

**Optics\***  
Contact Evergreen Lighting for complete photometrics.

**LED Features**

**LED**  
Alta LED #AL-R-1W-30LED array to be mounted onto an Aluminum MPCB Board configured to the proper wattage. The LED arrays will be centered within the Lens area and mounted on a white aluminum reflective plate.

**Driver**

Specific Drivers will be matched with each different LED array configuration/wattage. Standard Driver Features:

- Constant Current
- 3 / 5 year warranty
- 120/277 multi-voltage power supplies
- Kelvin - 2700K, 3000K, 3500K, 4100K, 5000K

**Fluorescent Features**

**Ballast**

SC programmed electronic high power factor ballast, multivoltage 120V/277V. Lamps not included

**Finishes**

**Ballast**

- |                           |                             |
|---------------------------|-----------------------------|
| Architectural Bronze (AB) | Textured Gold (TG)          |
| Textured Bronze (TBR)     | Metallic Nickel (MN)        |
| Matte Black (MBK)         | Textured Verde Patina (TVP) |
| Semi Gloss Black (GBK)    | Satin Brass (SB)            |
| Textured Black (TBK)      | Copper Vein (CV)            |
| Textured Rust (TR)        | Gold Vein (GV)              |
| Matte White (MW)          | Silver Vein (SV)            |
| Textured White (TW)       | Chrome (CH)                 |
| Gloss White (GW)          | Oil Rubbed Bronze (ORB)     |
| Metallic Grey (MG)        |                             |

**Options\***

- |                              |              |
|------------------------------|--------------|
| Emergency (EMR)              | Special Lens |
| Photocell (PC)               | Incandescent |
| Lamp Sources                 |              |
| Size Modifications           |              |
| Vandal Proof Enclosure (VPE) |              |

Sample Spec Number: MAD4203Q-AB-A

Part #	Lamp/Watts	Lumens	A	B	C
MAD4480L-28"-MBK-WF-4"RDSFTR					
Special Size Post top fixture with a slip fitter for a 4" round pole  80 watts of LED, 4100 Kelvin -8,800 delivered lumens 28" high x 13" Wide  MBK= Matte Black Finish -    WF= White Frosted acrylic					

MADE IN CALIFORNIA

