



**EVERGREEN
LIGHTING**

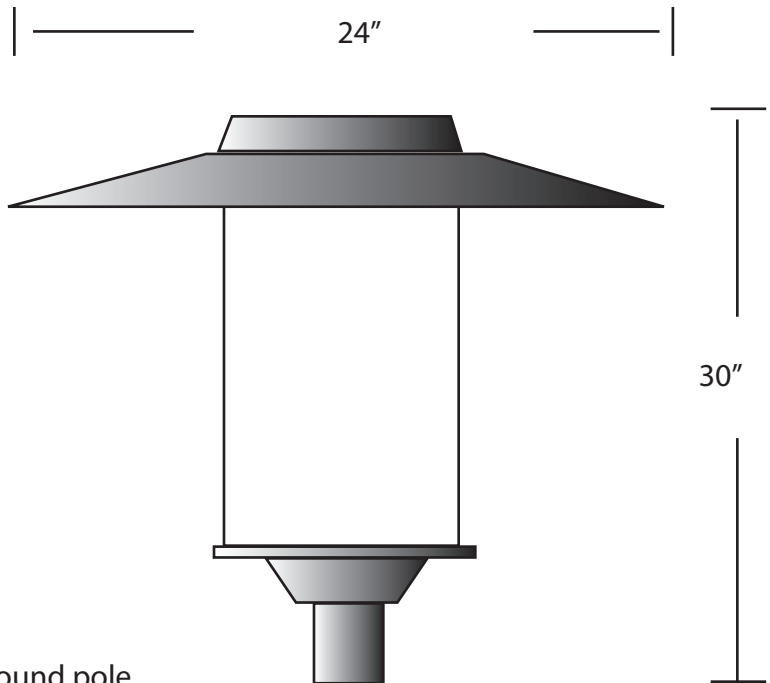
**POST MOUNT
PST-24X30HD-90L-9-WF**

SPECIFICATION FEATURES		Date 02-13-19
Dimensions	See drawing	
Lamps	90 watts of Alta LED- 4100 K	
Material	Aluminum	
Finish	STD Powdercoat TBD	
Lens	White Frosted Acrylic	
Label	WET Location	
Voltage	120 / 277	
Description	Post Mount Exterior	

PROJECT:

SPECIFIER:

9,900 delivered lumens



Post fitter for a 4" round pole

This is a round fixture, Drawings are not to scale.

EVERGREEN LIGHTING WWW.EVERGREENLIGHTING.COM
1379 Ridgeway St. Pomona, CA 91768 PHONE: (909) 865-5599 FAX: (909) 865-5539



MADE IN USA ● Information appearing hereon is proprietary and confidential and may not be used without the permission of Evergreen Lighting.

MADE IN USA