



**EVERGREEN
LIGHTING**

POST MOUNT DARK SKY fixture
PST-DN-60LS-9-9-28X25

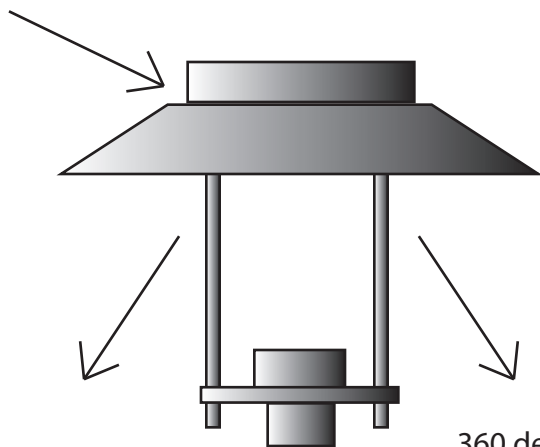
SPECIFICATION FEATURES		Date 04-29-19
Dimensions	28" diameter x 25" high	
Lamps	60 watts of LED- 4100 K	
Material	Aluminum	
Finish	Standard Powdercoat TBD	
Lens	Clear Frosted glass lens	
Label	WET Location	
Voltage	120 / 277	
Description	Exterior Fixture	

PROJECT:

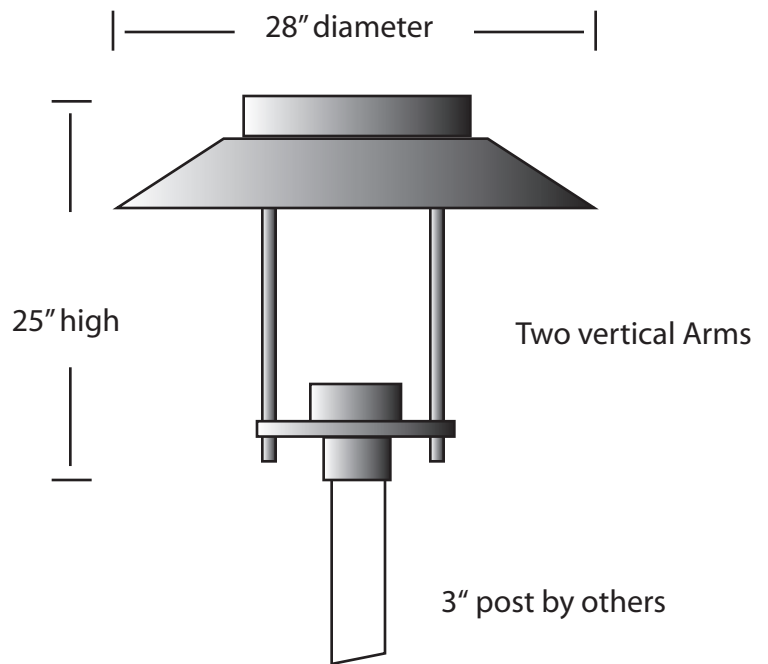
SPECIFIER:

6,600 lumens

LED's in the top facing downward



360 degree Illumination



Drawings are not to scale.

EVERGREEN LIGHTING WWW.EVERGREENLIGHTING.COM
1379 Ridgeway St. Pomona, CA 91768 PHONE: (909) 865-5599 FAX: (909) 865-5539



MADE IN USA ● Information appearing hereon is proprietary and confidential and may not be used without the permission of Evergreen Lighting.

MADE IN USA