



**EVERGREEN
LIGHTING**

Bollard

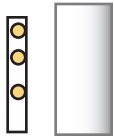
PTH-B-16L-9-CA-LVR-11"

SPECIFICATION FEATURES

Date
09-28-18

PROJECT:

Dimensions	11" High x 6 3/4" diameter
Lamps	16 watts of LED- 4100 K
Material	Aluminum - Heavy gauge
Finish	9 = STD Powdercoat TBD
Lens	Clear Frosted Acrylic
Label	WET Location
Voltage	120 / 277
Description	Pathway bollard



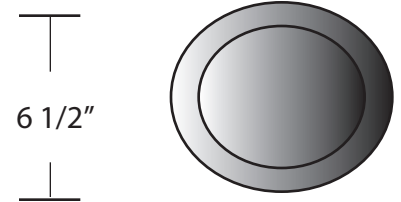
LED Post

Clear Frosted acrylic Tube

Bollard Head with down casting illumination louvers

360 degree illumination

Top View



1 7/8"

Center section
6 3/4" diameter

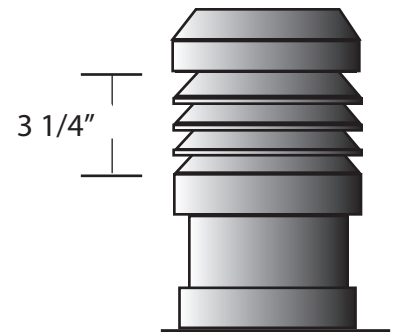
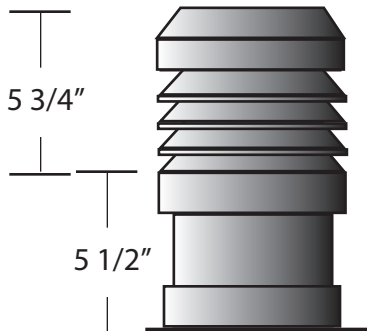
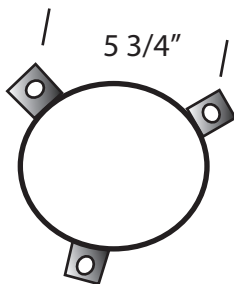
11" High

Ground level

3 Holes at 120 degrees. Bolts by others

Each hole is 1/4" diameter

5 3/4" center to center



EVERGREEN LIGHTING WWW.EVERGREENLIGHTING.COM

1379 Ridgeway St. Pomona, CA 91768 PHONE: (909) 865-5599 FAX: (909) 865-5539



MADE IN USA ● Information appearing hereon is proprietary and confidential and may not be used without the permission of Evergreen Lighting.

MADE IN USA