



**EVERGREEN
LIGHTING**

TUSCANY

TUS-CLM-4209-3GU24-9-WF-4SCRL

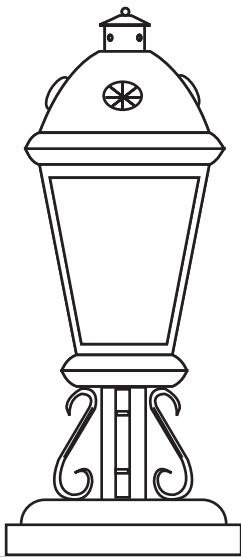
SPECIFICATION FEATURES		Date 01-08-19
Dimensions	35" high x 12" x 12"	
Lamps	3 - GU 24 sockets	
Material	Aluminum	
Finish	Standard Powdercoat TBD	
Lens	White Frosted Acrylic	
Label	Wet Location	
Voltage	120 / 277	
Description	Column fixture	

PROJECT:

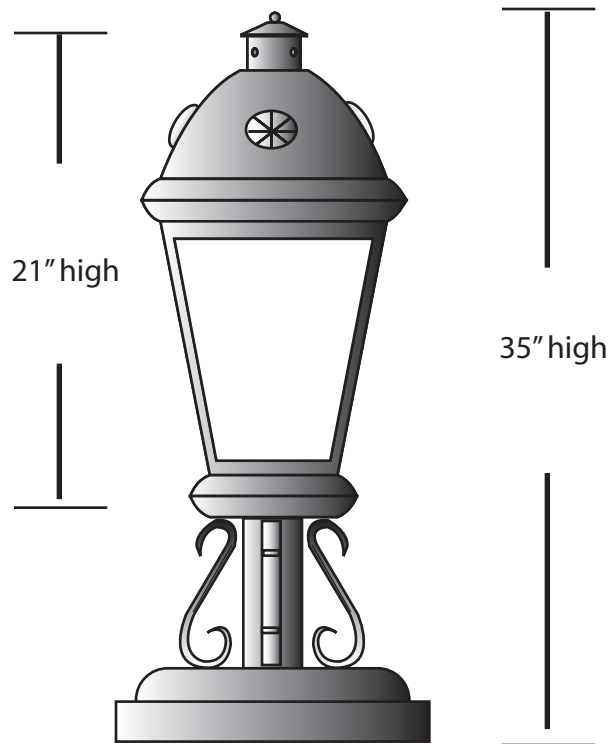
Faith Technologies- The Parc Oconomowoc

SPECIFIER:

Type F



Base By others



21" high

35" high

12" Square

12" x 12" x 2"
Column base metal

EVERGREEN LIGHTING WWW.EVERGREENLIGHTING.COM
1379 Ridgeway St. Pomona, CA 91768 PHONE: (909) 865-5599 FAX: (909) 865-5539



MADE IN USA ● Information appearing hereon is proprietary and confidential and may not be used without the permission of Evergreen Lighting.

MADE IN USA