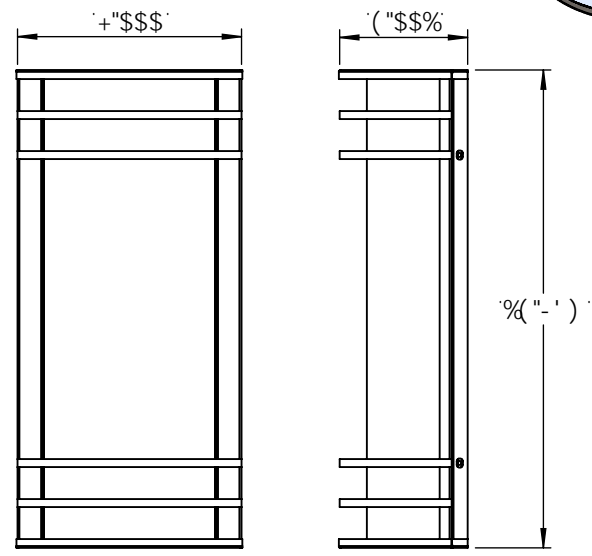
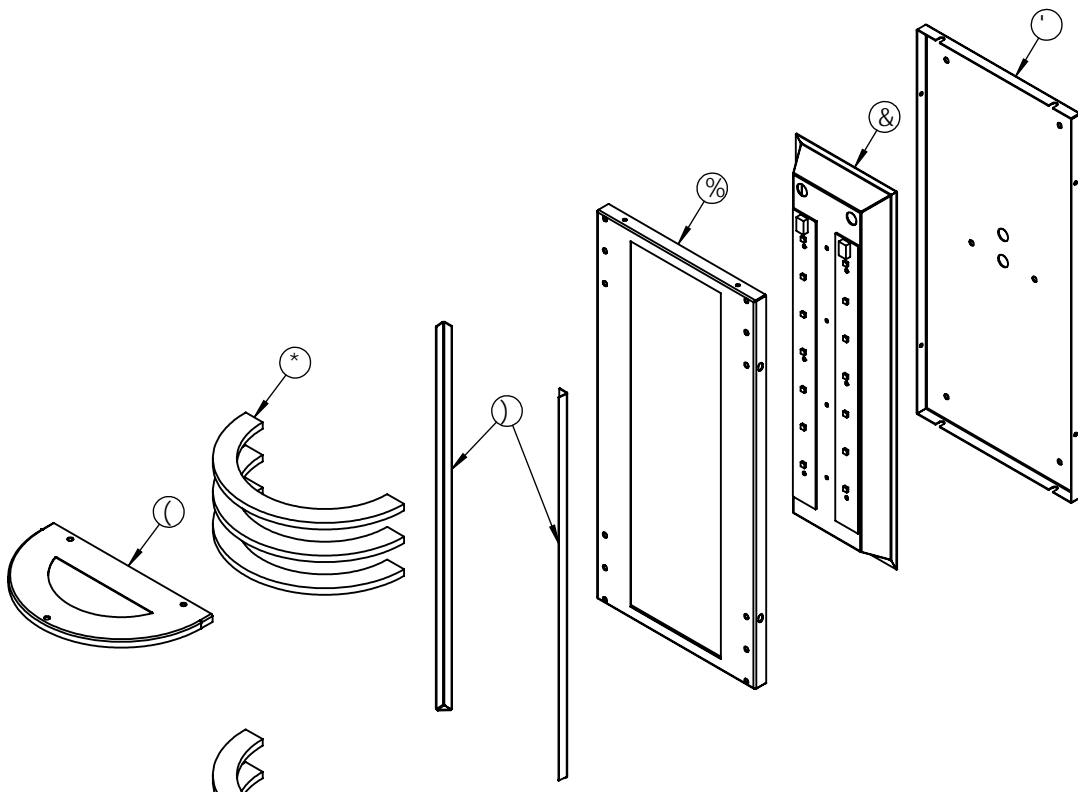
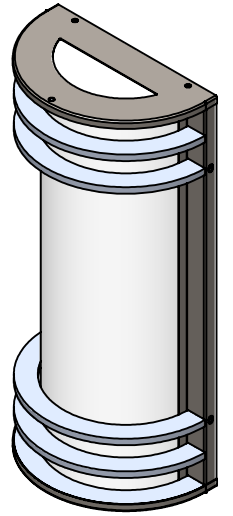
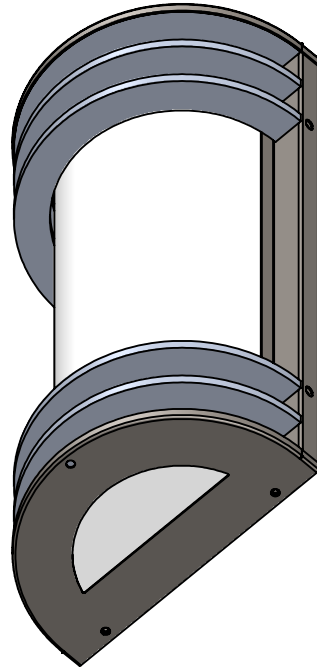
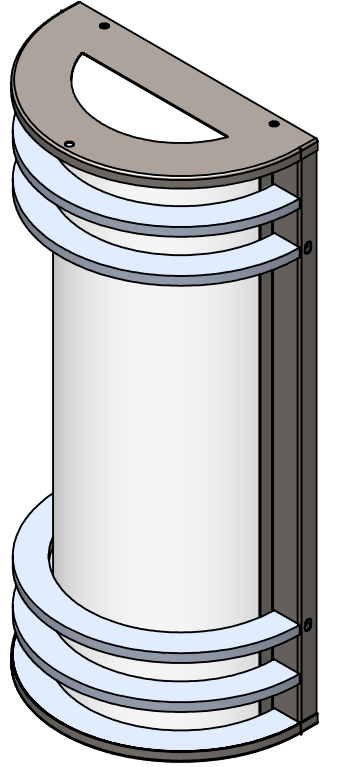
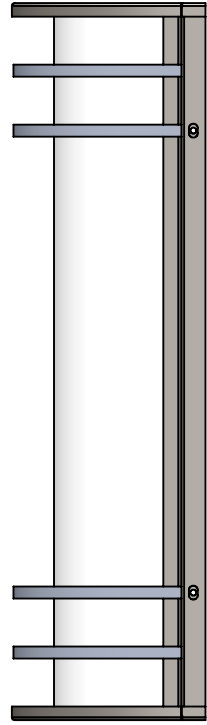
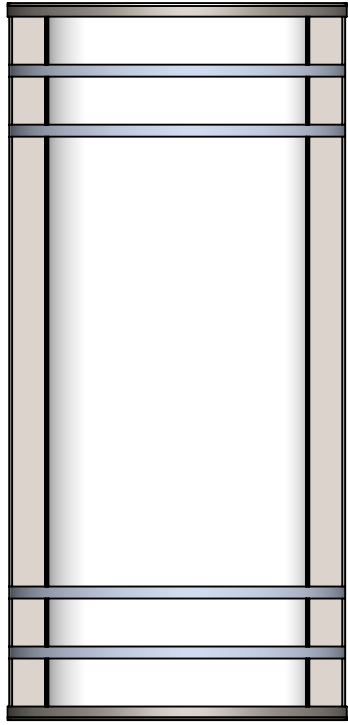
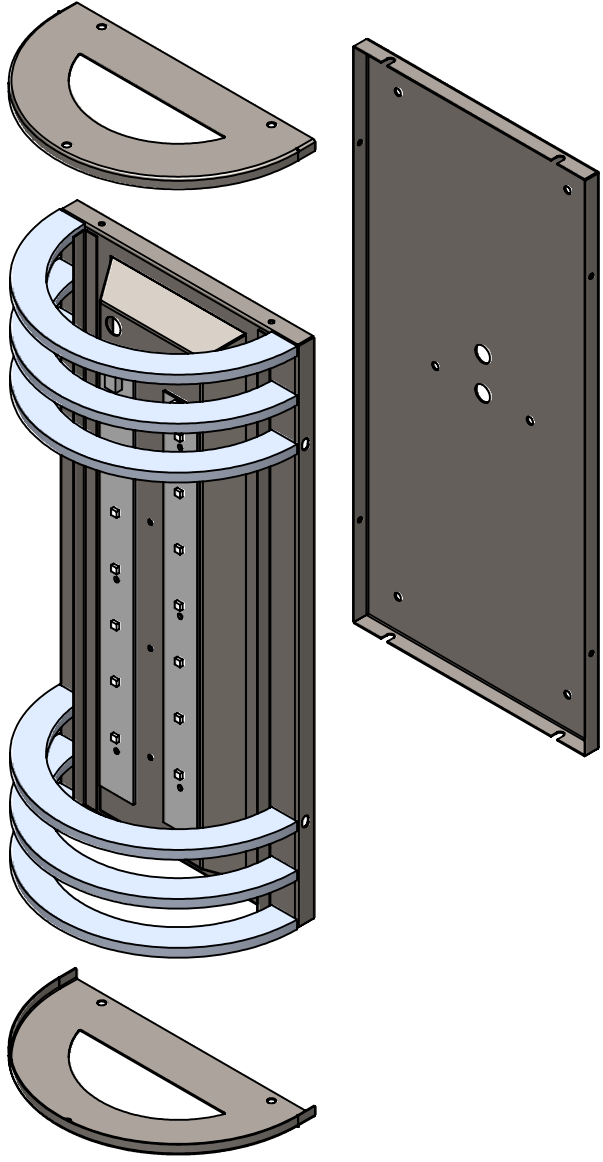


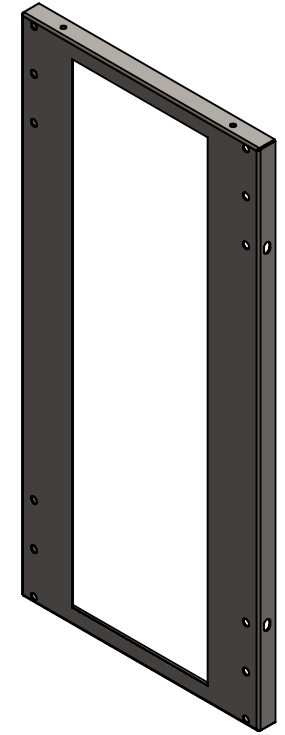
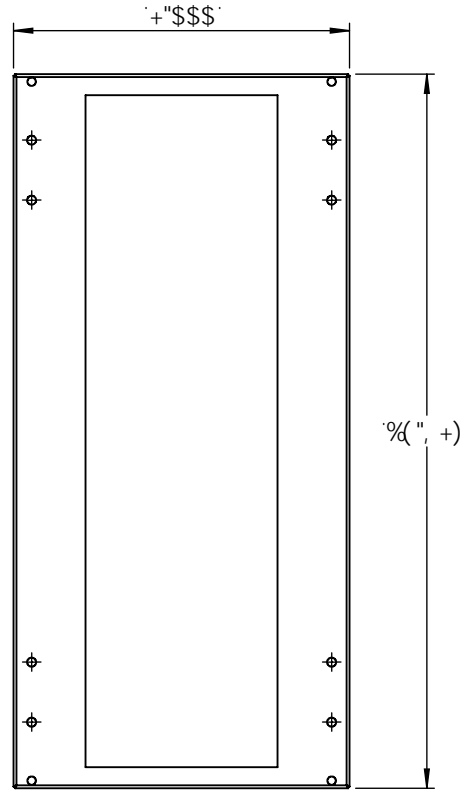
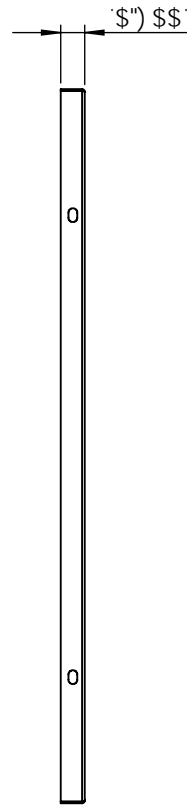
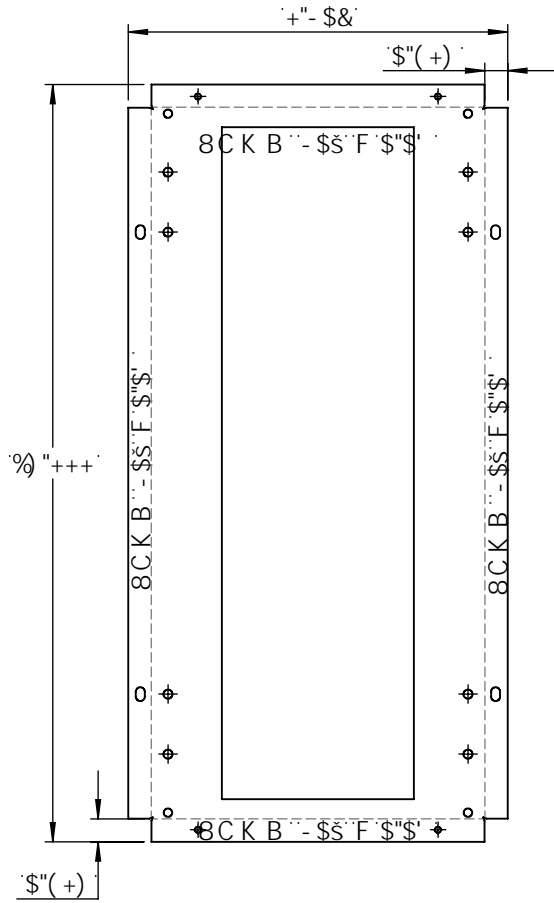
#0A BC "	D5FHBI A 69F	8 9G7 F-ĐHC B	E HM	7 I H
%	DC K !K !% !% ( K !A 6?!5!H@K 9H' )?!: F5A 9	&& : 51 ; 9	%	
&	DC K !K !% !% ( K !A 6?!5!H@K 9H' )?!: @98 D@5H9	&& : 51 ; 9	%	
'	DC K !K !% !% ( K !A 6?!5!H@K 9H' )?!: F9D@5H9	&& : 51 ; 9	%	
(	DC K !K !% !% ( K !A 6?!5!H@K 9H' )?!: @9BG7 5D	&& : 51 ; 9	&	
)	DC K !K !% !% ( K !A 6?!5!H@K 9H' )?!: GFĐ	&& : 51 ; 9	&	
*	DC K !K !% !% ( K !A 6?!5!H@K 9H' )?!: 65F	%#( 'L' #(' : @5H5@ A BIA '65F	%	
+	DC K !K !% !% ( K !A 6?!5!H@K 9H' )?!: 57FM@7	57FM@7	%	
,	9gdYbH97 <S%&\$&+J SG?1 , \$, \$+*	8Fđ 9F	&	
-	5 'HJ' @98 'DB %\$+6!%@4GG	@98	&	



I B @9GC H: 9FK 69 GD97 ÷ 98.	B5A 9	85H9	
8 A 9BG@BG5F9 B 'B7 <9G HC @F5B7 9G : F57 HC B5 @± "\$\$" 5B: 1 @5F: A 57 < ± "\$%""69B8 ± HK C D@57 9897 A 5@""± HKF99D@57 9897 A 5@ ± "\$\$%	8F5K B		H#@.
BH@DF9H: 9C A 9FF 7 HC @F5B7 B: D9F. A 5H@F 5@	7 <97 ?98	9B: 5DDF"	DC K !K !% !% ( K !A 6?!5!H@K 9H' ) ?
: B @	A :: '5DDF"	E "5"	
5 @@69B8 'F58 ÷ G "\$' '\$"	7 C A A 9BHG		G@9 8K ; ""BC "
5DD@7 5HC B			F9J
8C B@HG7 5@98F5K B:			5 H7 ?9H&' ' &+
			G7 5 @. %* K 9 ÷ <H'
			G<99H% C: '+

) ( ' & %





:F5A 9

DFC DF-96FM5B87CB: 89BH5@  
 H:9 B: CFA 5HC B 7 C BH5 B 98 B H:6  
 8F5K B: 6H:9GC @DFC D9FMC:  
 OB 9FH7 CA D5BMB5A 9<9F92" 5BM  
 F9DFC 81 7 HC B B D5FHC F 5G5 K <C @  
 K H:C I H:K 9K F H:8 D9FA 6GC B C:  
 OB 9FH7 CA D5BMB5A 9<9F92 6  
 DFC <6H8"

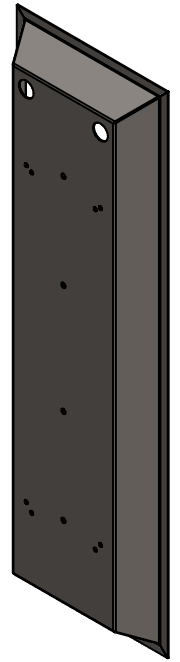
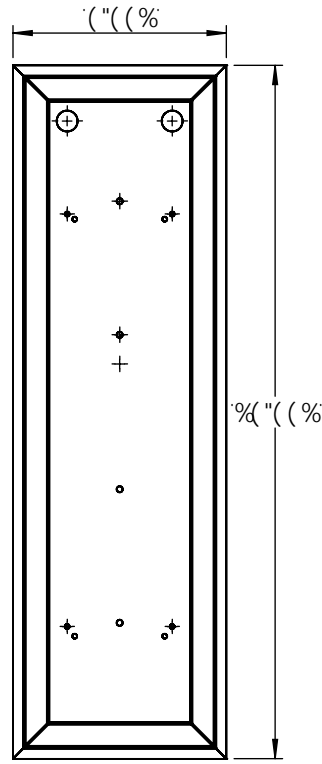
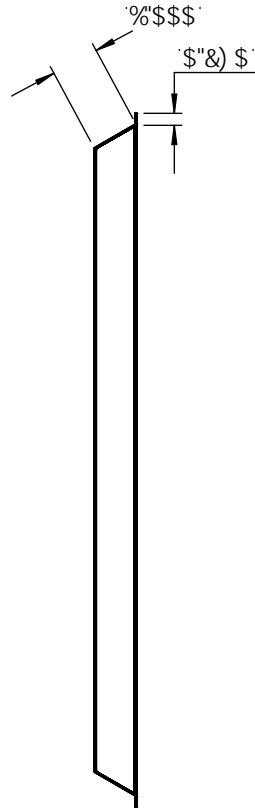
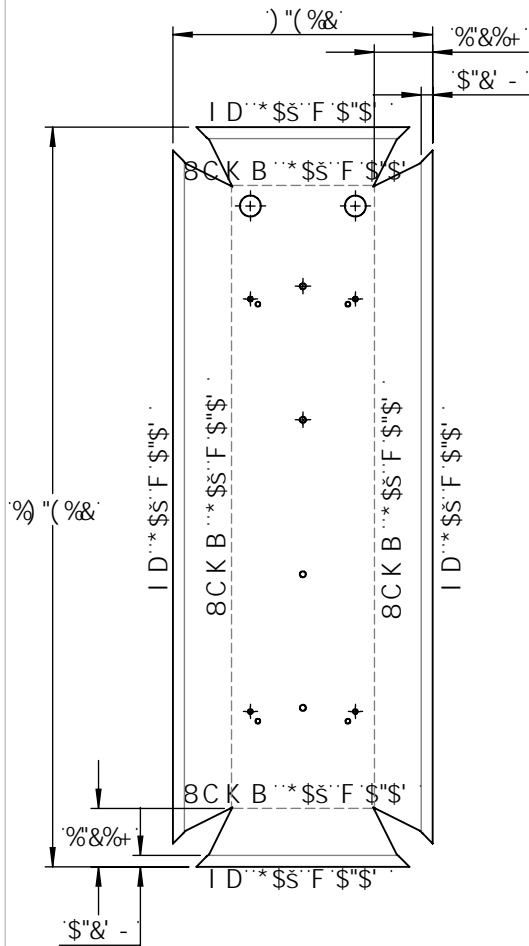
		I B @GGC H: 9FK 69 GD97 ÷ 98.	B5A 9	85H9	8&; 5I ; 9
		8 A 9BG C BG5F9 B B7 <9G HC @F5B7 9G ; F57 HC B5 @± 5B: I @F: A 57 <± .....69B8 ± HK C D@57 9897 A 5@± H: F99D@57 9897 A 5@±	8F5K B		
		B H@FDF 9H: 9C A 9F 7 HC @F5B7 B: D9F.	7 <97 ?98		DC K !K !% !%(K !A 6?!5!H@K 9H' )?
		A 5H@F 5@	9B: 5DDF"		
		A 5H@F 5@	A: 5DDF"		G#9 8K ; ""BC" F9J
B9LH5GGM	I G98 C B	: B@<	E "5"		
		8C B CHG75 @98F5K B:	7 C A A 9BHG		G7 5 @. % ( K 9 ÷ <H' G<99H' 'C: '+
	5DD@7 5HC B				

)

(

&

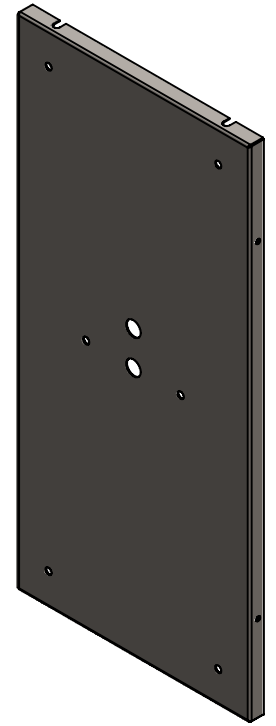
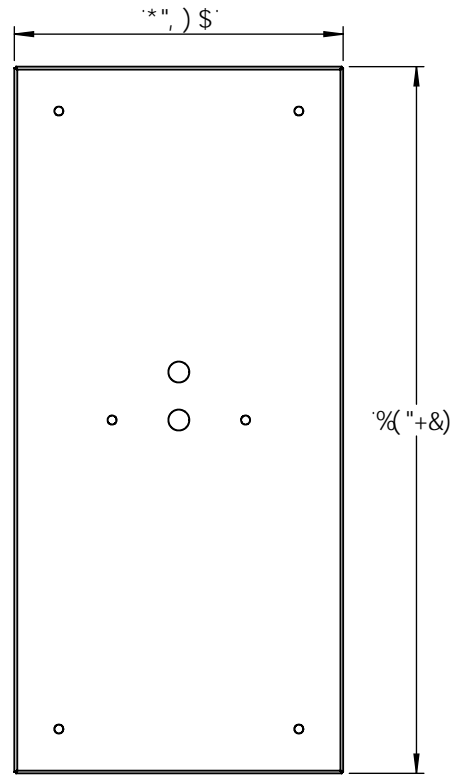
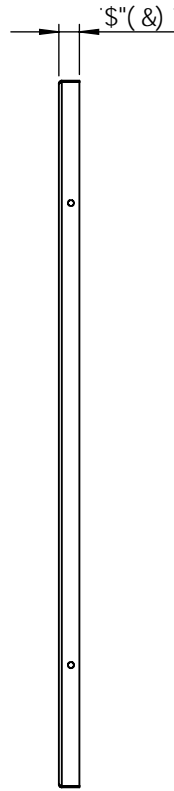
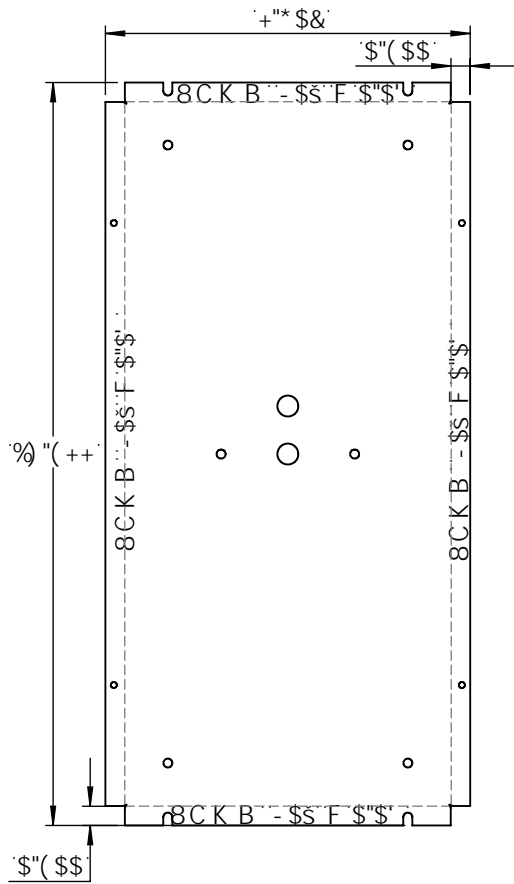
%



098 D05H9

DFC DF-96FM5B87CB: 89BH5@  
 H-9-B: CFA 5HC B 7 C B H5 B 98 B H-6  
 8F5K B: 6H-9GC @DFC D9F HMC:  
 OB 9FH7 CA D5BMB5A 9<9F 92" 5BM  
 F9DFC 81 7 HC B-B D5FHCF 5G5 K <C @  
 K H-C1 H H-9K F H 98 D9FA 6GC B C:  
 OB 9FH7 CA D5BMB5A 9<9F 92 6  
 DFC <6H98"

		I B @GGC H: 9FK 69 GD97 ÷ 98.	B5A 9	85H9	&& ; 51 ; 9
		8-A 9BG€ BG5F9-B-B7 <9G HC @F 5B7 9G ; F57 HC B5 @± 5B: I @F: A 57 <± ..... 69B8 ± HK C D@5 7 9897-A 5 @± H: F99D@5 7 9897-A 5 @±	8F5K B		
		B H9F DF 9H: 9C A 9F 7 HC @F 5B7 B: D9F.	7 <97 ?98		DC K !K !% !%(K !A 6?!5!H@K 9H' )?
		A 5H9F 5@	9B: 5DDF"		
B9LH5GGM	I G98 C B	: B €<	A: : 5DDF"		G#9 5 8K ; ""BC"
			E "5"		
	5DD@7 5HC B	8C B CHG7 5 @9 8F5K B:	7 C A A 9BHG		G7 5 @. % ( K 9 ÷ <H'
					G<99H( 'C: '+



: F9D5H9

DFC DF-96FM5B87CB: 89BH5@  
 H:9:B:CFA 5HC B 7 C B H5 B 98 B H:G  
 8F5K B: 6H:9GC @DFC D9F HMC:  
 O B 9F H7 C A D5BMB5A 9 < 9F 92" 5BM  
 F9DFC 81 7 HC B -B D5FHC F 5G5 K < C @  
 K H:C I H:K 9K F H 9B D9FA GGC B C:  
 O B 9F H7 C A D5BMB5A 9 < 9F 92 G  
 DFC < 6+98"

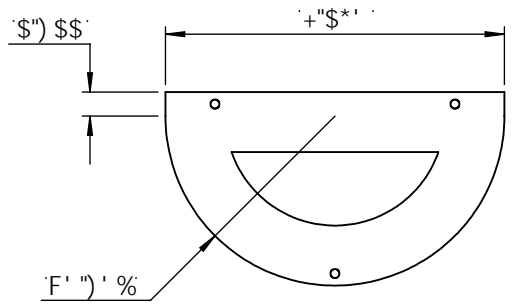
		I B @GGC H: 9FK 69 GD97 ÷ 98.		B5A 9	85H9	&& ; 5I ; 9
		8-A 9BG C BG5F9-B B7 < 9G HC @F 5B7 9G ; F57 HC B5 @± 5B: I @5F: A 57 < ± ..... 69B8 ± HK C D @5 7 9 8 97 A 5 @ ± H: F99 D @5 7 9 8 97 A 5 @ ±	8F5K B 7 < 97 ? 98 9B: 5DDF" A: 5DDF"			H#@.
		B H F D F 9H: 9C A 9F 7 HC @F 5B7 B: D9F. A 5H F 5 @	E "5" 7 C A A 9BHG			DC K !K !% !%(K !A 6?!5!H@K 9H' )?
B9LH5GGM	I G98 C B	: B @<				G A 9 8K ; "'BC" F9J
	5DD @ 7 5HC B	8C B CHG 7 5 @ 8F5K B:				G7 5 @. % ( K 9 ÷ < H' G < 99H) 'C: '+

)

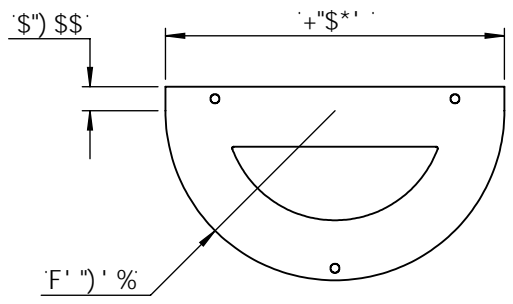
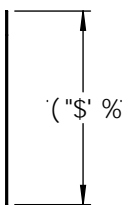
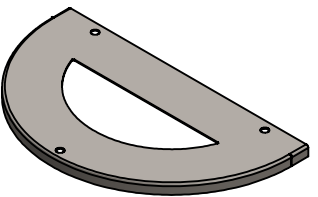
(

&

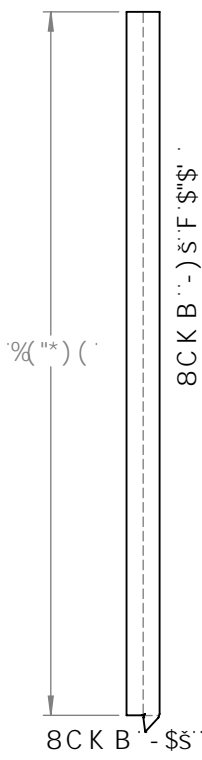
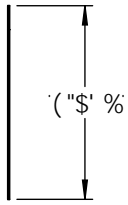
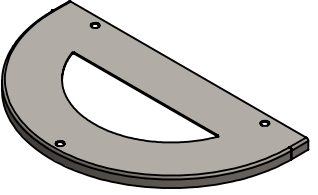
%



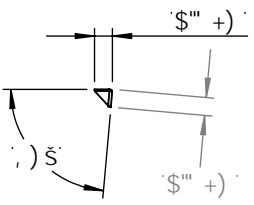
HCD75D



6CHCA75D



8BGGF-D



DFC DF-96FM5B87CB: 8B8H5@  
 H: 9 B: CFA 5HC B 7 C B H5 B 98 B H: 6  
 8F5K B: 6H: 9GC @DFC D9F HMC:  
 O B 9F H7 C A D5BMB5A 9 < 9F 92" 5BM  
 F9DFC 81 7 HC B B D5FHCF 5G5 K < C @  
 K H: C I H: 9 K F H 98 D9FA 6G B C:  
 O B 9F H7 C A D5BMB5A 9 < 9F 92 6  
 DFC < 6H 98"

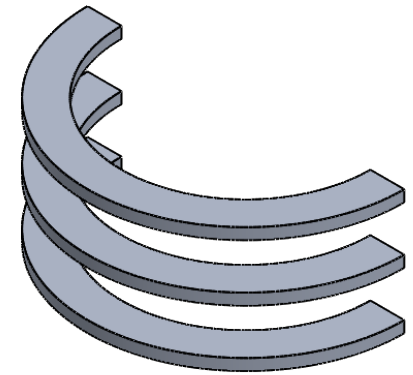
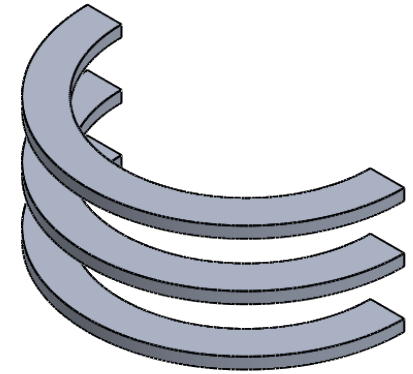
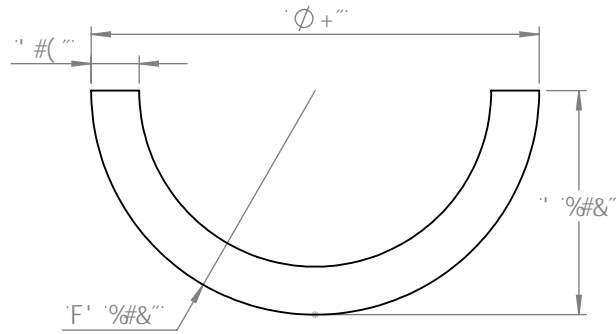
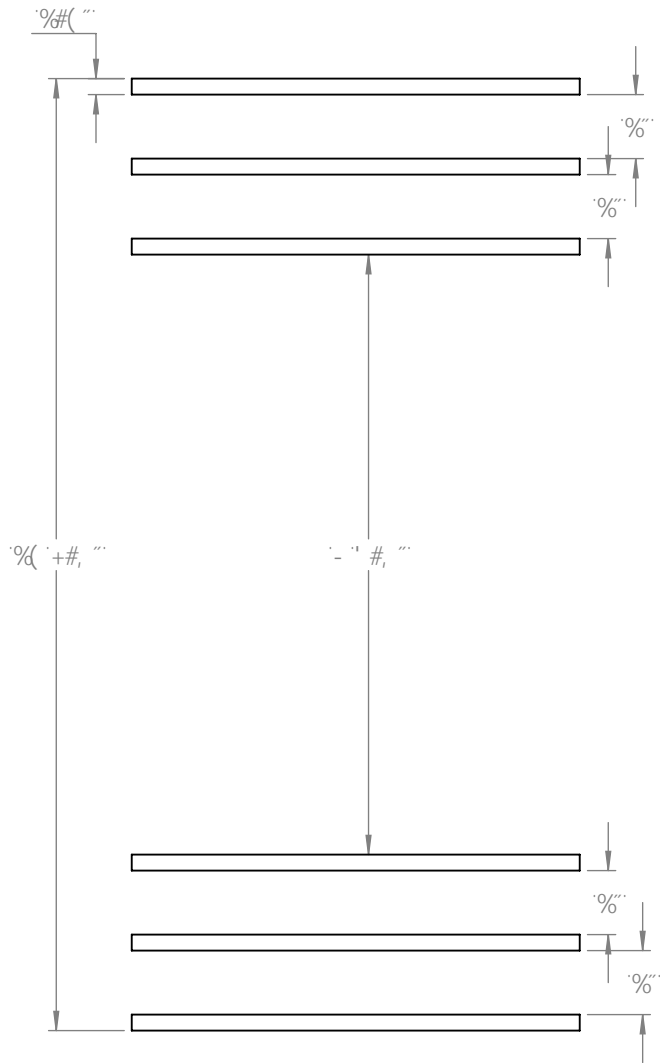
		I B @GGCH: 9FK 69 GD97 ÷ 98.	B5A 9	85H9	&&; 51; 9"	
		8 A 9BGC BG5F9 B B7 < 9G HC @F 5B7 9G ; F57 HC B5 @± 5B; I @F: A 57 < ± ..... 69B8 ± HK C D @5 7 9 8 97 A 5 @ ± H: F99D @5 7 9 8 97 A 5 @ ±	8F5K B			H#@.
		B H 9 F D F 9H: 9C A 9F 7 HC @F 5B7 B: D9F.	9B: 5DDF"		DC K !K !% !%(K !A 6?!5!H@K 9H' )?	
		A 5H 9 F 5 @	A: 5DDF"			
B9LH5GGM	I G98 C B	: B 6<	E "5"	7 C A A 9BHG	G A 9 5 8K; "BC"	F9J
	5DD@7 5HC B	8C B CHG75 @ 8F5K B:			G7 5 @. % ( K 9 ÷ < H'	G < 99H* 'C: '+

)

(

&

%



DFC DF-96FM5B87CB: 89BH5@  
 H-9-B: CFA 5HC B 7 C B H5 B 98 B H-6  
 8F5K B: 6H-9GC @DFC D9F HMC:  
 OB 9FH7 CA D5BMB5A 9<9F 92" 5BM  
 F9DFC 81 7 HC B B D5FHCF 5G5 K <C @  
 K H-C1 H H-9K F H 98 D9FA 6GB C C:  
 OB 9FH7 CA D5BMB5A 9<9F 92 6  
 DFC <6H98\*

		I B @GGC H: 9FK 69 GD97 ÷ 98.	B5A 9	85H9	%#('L' #'(' : @5H5@ A BI A '65F
		8 A 9BGC BG5F9 B B7 <9G HC @F 5B7 9G : F57 HC B5 @± 5B: I @5F: A 57 <± .....69B8 ± HK C D @57 9897 A 5 @± HK F99D @57 9897 A 5 @±	8F5K B		H#@.
		B H9FDF 9H: 9C A 9F 7 HC @F 5B7 B: D9F.	7 <97 ?98		DC K !K !% !%K !A 6?!5!H6@K 9H' )?
		A 5H9F 5@	9B: 5DDF"		A : : 5DDF"
		: B @<	A : : 5DDF"		E "5"
B9LH5GGM	I G98 CB			7 C A A 9BHG	G A 9 8K ; "'BC"
					F9J
	5DD@7 5HC B	8C B CHG7 5 @98F5K B:			G7 5 @. '% K 9 ÷ <H'
					G <99H + 'C : '+

)

(

&

%