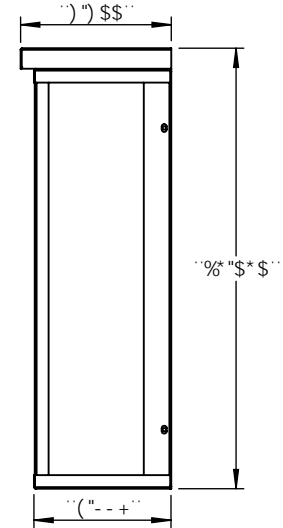
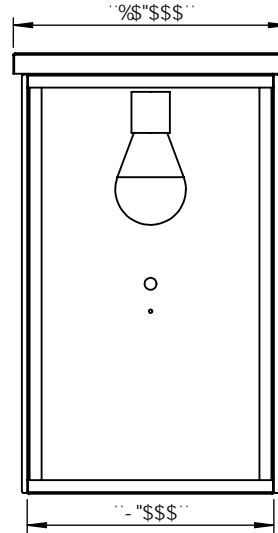
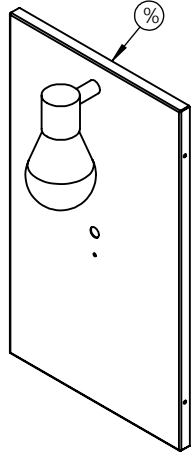
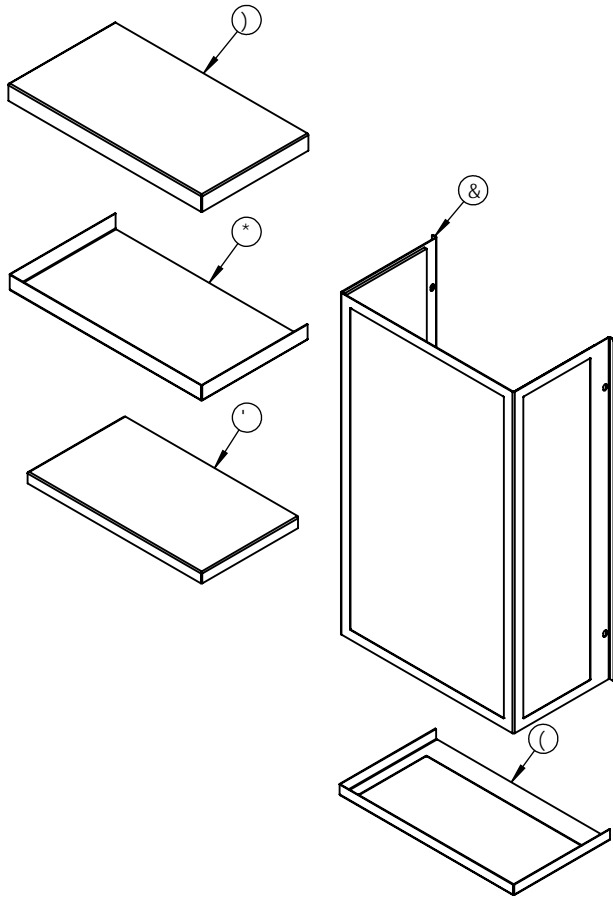
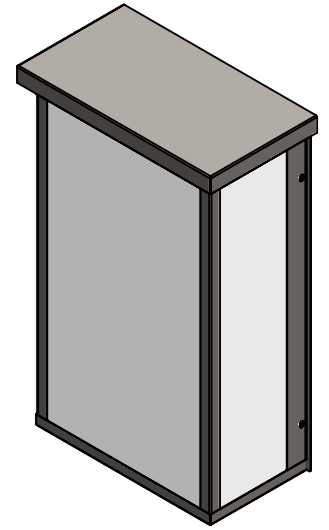


#9A BC "	D5FHBI A 69F	89G7 F-DHC B	E HM	7 I H
%	(% \$&A B!5!55!657?D@5H9	&&; 51; 9	%	
&	(% \$&A B!5!55!5! : F5A 9	&&; 51; 9	%	
'	(% \$&A B!5!55!HC D: F5A 9	&&; 51; 9	%	
((% \$&A B!5!55!6C HC A : F5A 9	&&; 51; 9	%	
)	(% \$&A B!5!55!HC D 7 5D	&&; 51; 9	%	
*	(% \$&A B!5!55!HC D! B 89F7 5D	&&; 51; 9	%	
+	(% \$&A B!5!55!57 FM@7	57 FM@7	%	
,	B 7 5 B 8 9 G 7 9 B H @ < H 6! @	6! @	%	



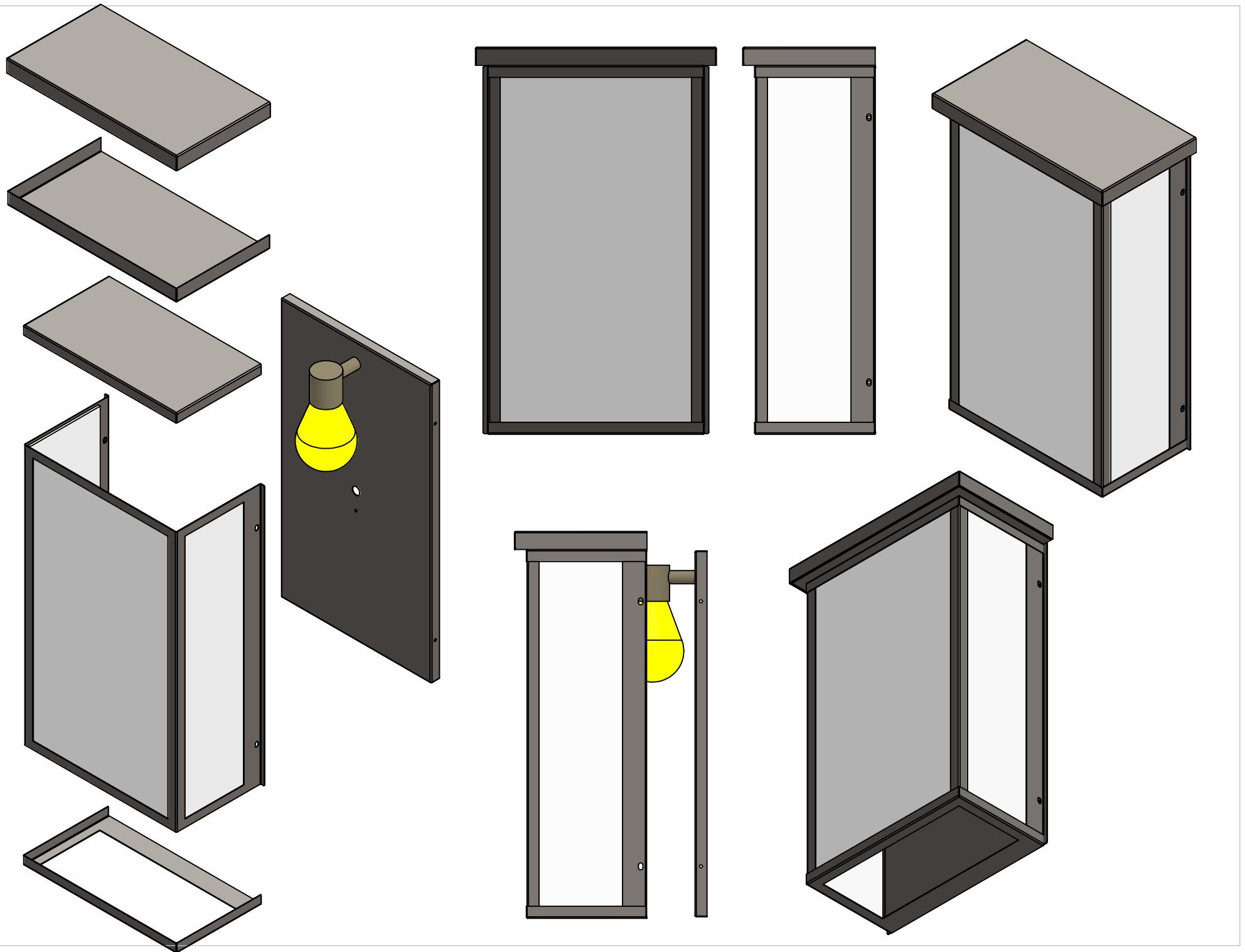
I B @GGC H: 9FK 69 GD97 ÷ 98.	B5A 9	85H9	H#@.	(% \$&A B!5!55	
8-A 9BGC BG5F9-B-B7 < 9G HC @F5B7 9G : F57 HC B5 @± "\$\$' 5B; I @F: A 57 < ± "\$\$'" 69B 8 ± HK C D@5 7 9 8 97 A 5 @ ± "\$\$% H: F99 D@5 7 9 8 97 A 5 @ ± "\$\$%	8F5K B				
BH@FDF 9H: 9C A 9F 7 HC @F5B7 B: D9F. A 5H@F 5@	7 < 97 ? 98	9B: 5DDF"			
: B @<	A: ' 5DDF"	E "5"			
5 @@69B8 F58 # G "\$' '\$"	7 C A A 9BHG				
5DD@7 5HC B	8C BC HG 7 5 @ 8F5K B:				
			G#9 8K; "'BC"	F9J	
			5 H7 ? 9H & ' ') -		
			G7 5 @. % +	K 9 ÷ < H'	
				G < 99H % C : '*	

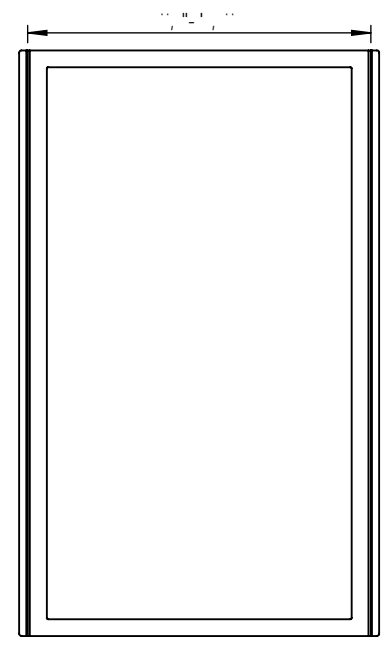
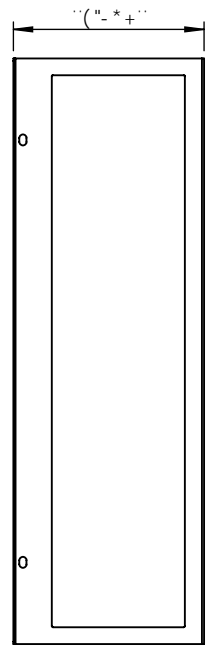
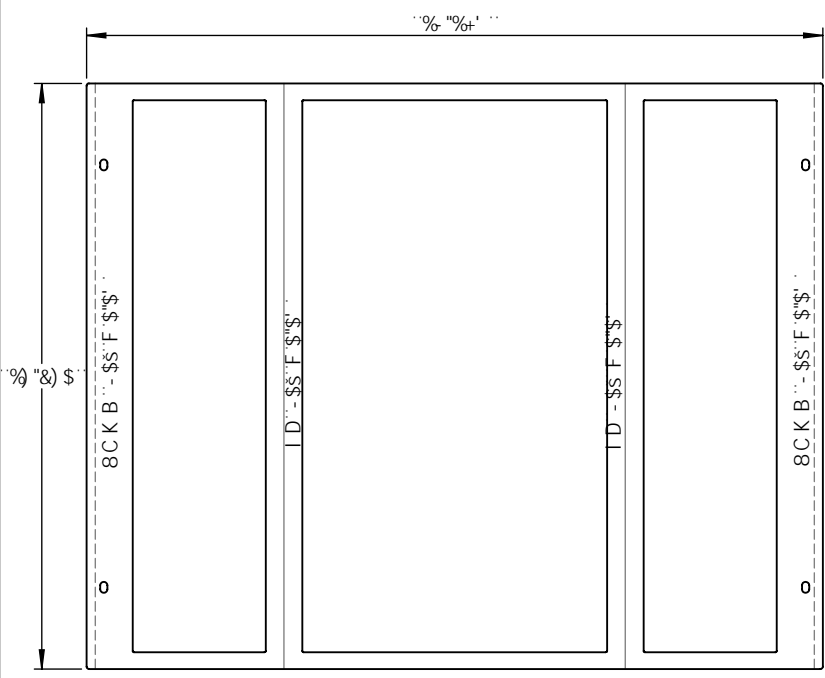
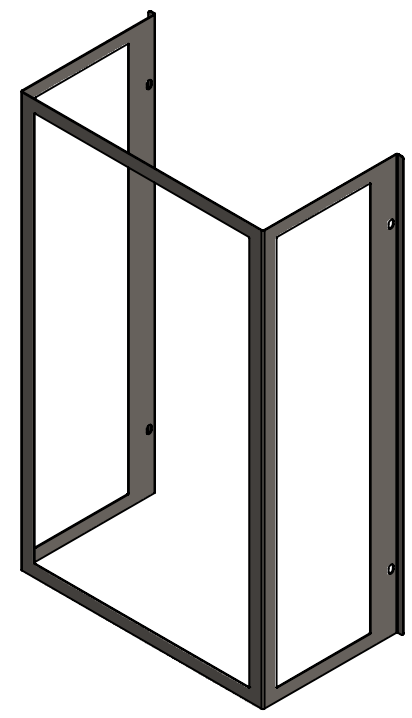
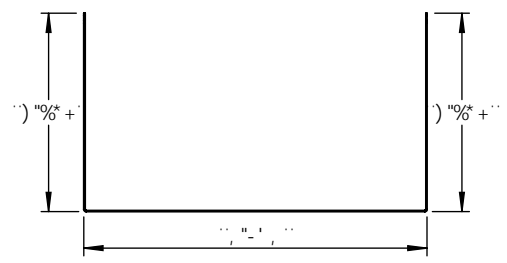
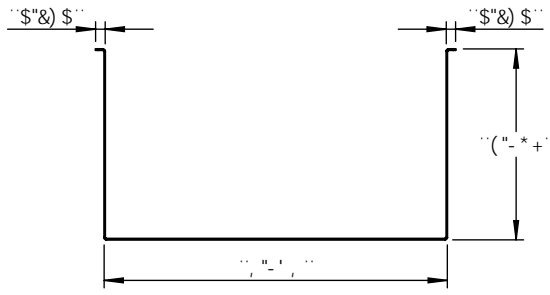
)

(

&

%

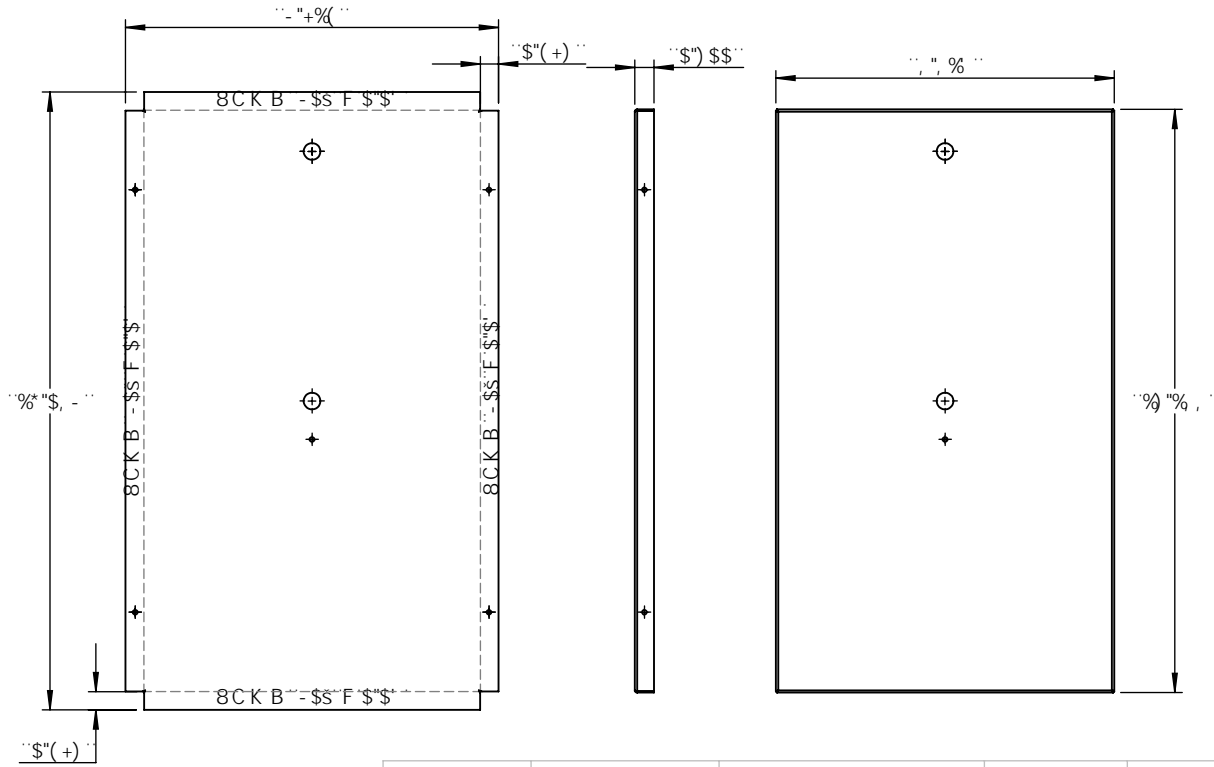
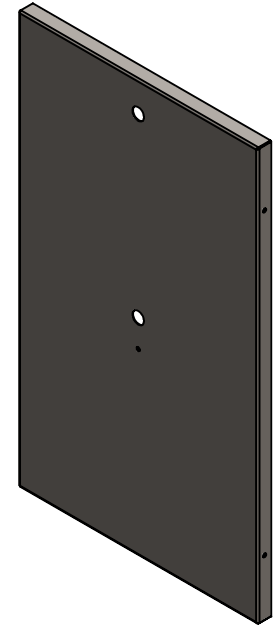




DFC DF-5FM5B87CB: 89BH5@
 H:9 B: CFA 5HC B 7 C B H5 B 98 B H:6
 8F5K B: 6H:9GC @DFC D9F HVC:
 OBG9FH7CA D5BMB5A 9<9F92" 5BM
 F9DFC 81 7 HC B B D5FHCF 5G5 K <C @
 K H:C I H:9K F H9B D9FA 6GB C:
 OBG9FH7CA D5BMB5A 9<9F92 6
 DFC <6H98"

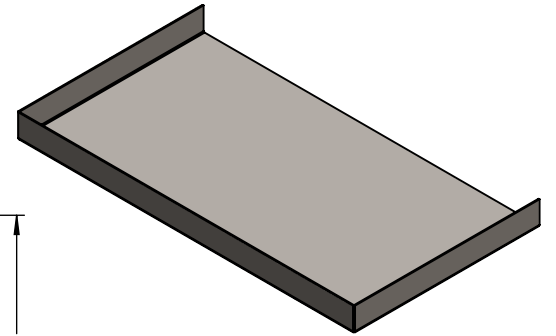
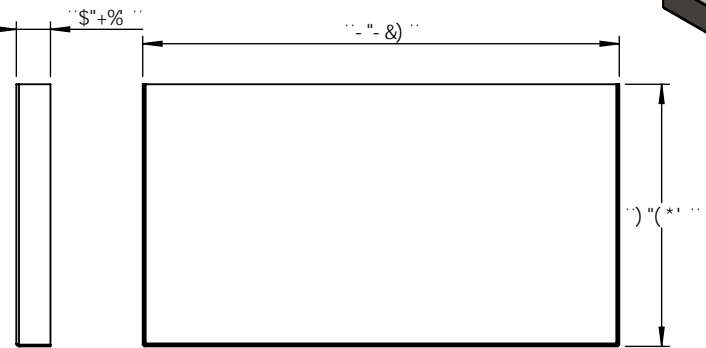
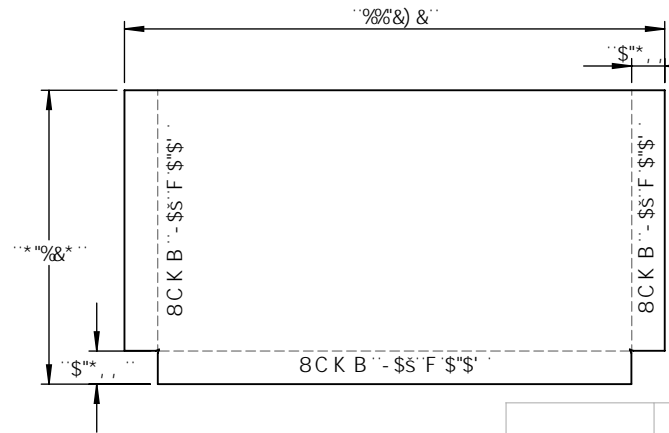
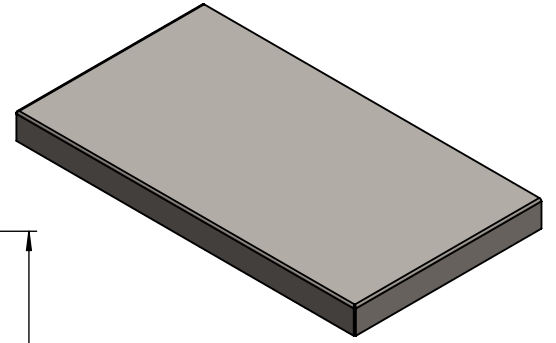
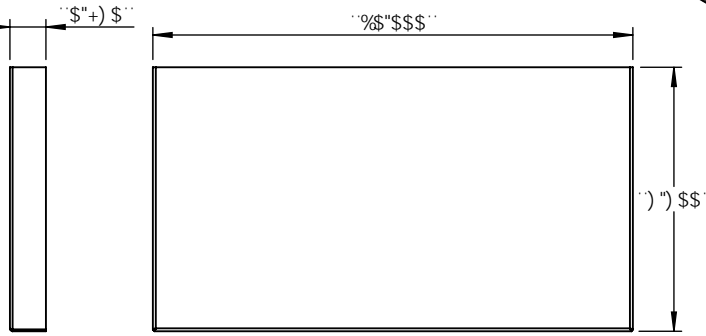
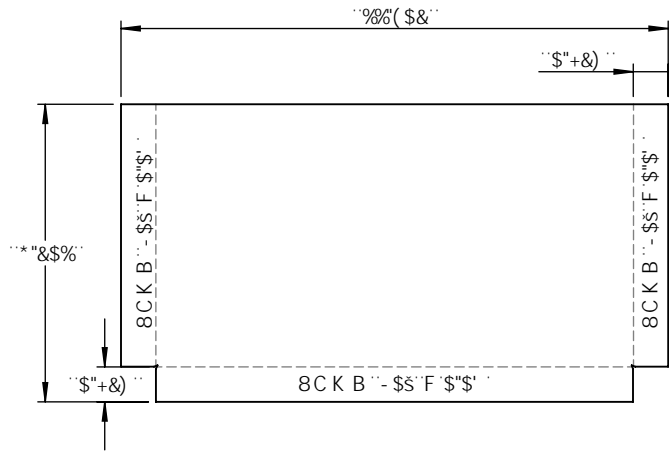
		I B @GGCH:9FK 69GD97 ÷ 98.		B5A 9	85H9
		8A 9BG6BG5F9-B B7 <9G HC @F5B7 9G :F57 HC B5@± 5B: I @5F: A 57 <±.....69B8 ± HK C D@579897 A 5@± H:K99D@579897 A 5@±	8F5K B 7 <97 ?98 9B: 5DDF" A: : 5DDF" E "5" 7 C A A 9BHG		
		B H9FDF9H: 9C A 9FF 7 HC @F5B7 B: D9F. A 5H9F 5@ : B 6<			
B9LH5GGM	I G98 CB				
	5DD@7 5HC B	8C B CHG75 @98F5K B:			

&&; 51; 9		
H#@.		
(\$% \$&A B!5!55		
G#9 5	8K; ""BC"	F9J
G7 5 @.%)	K 9 ÷ <H'	G<99H' 'C: '*



DFC DF 5 FM 5 B 8 7 C B : 8 9 B H 5 @
 H: 9 B: C F A 5 H C B 7 C B H 5 B 9 8 B H: 6
 8 F 5 K B: 6 H: 9 G C @ D F C D 9 F H M C:
 O B G 9 F H 7 C A D 5 B M B 5 A 9 < 9 F 9 2 " 5 B M
 F 9 D F C 8 1 7 H C B B D 5 F H C F 5 G 5 K < C @
 K H: C 1 H H: 9 K F H 9 B D 9 F A 6 G C B C:
 O B G 9 F H 7 C A D 5 B M B 5 A 9 < 9 F 9 2 G
 D F C < 6 H 9 8 "

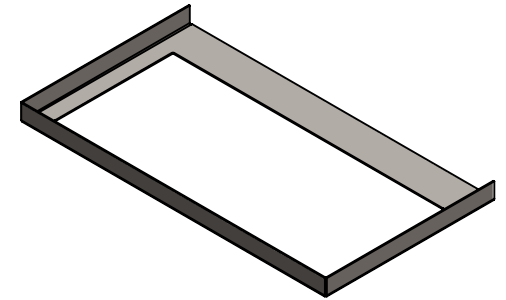
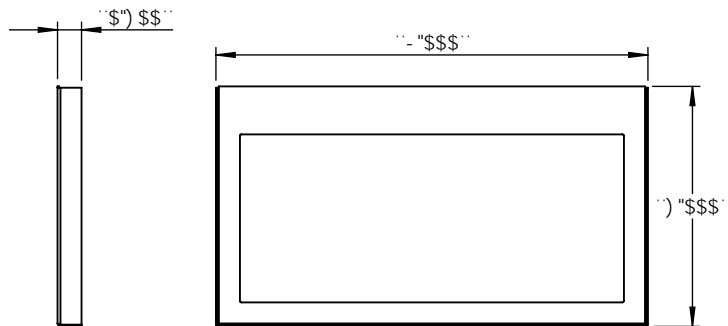
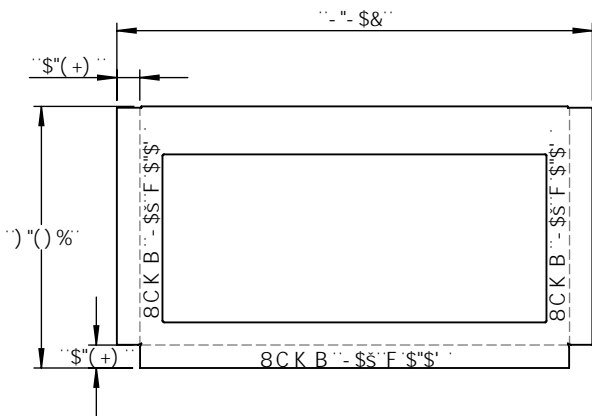
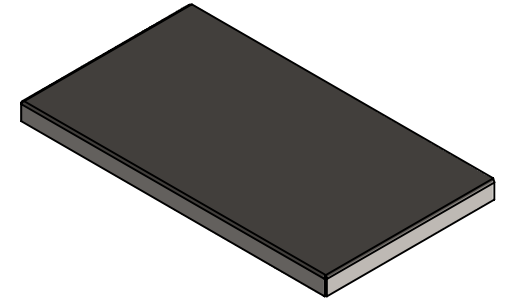
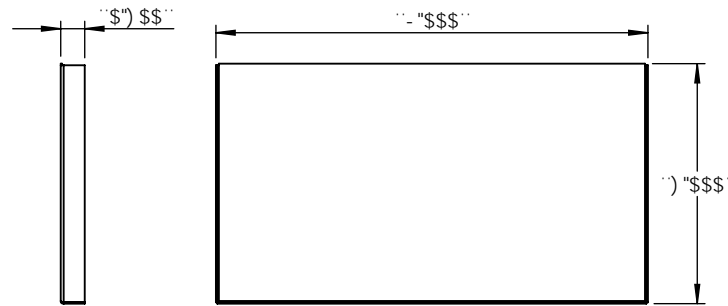
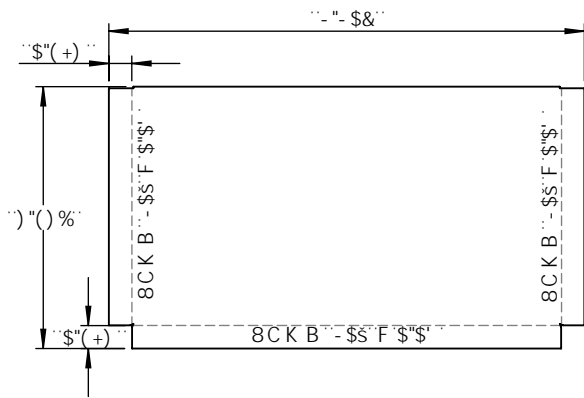
		I B @ G G C H: 9 F K 6 9 G D 9 7 ÷ 9 8.	B 5 A 9	8 5 H 9	;& ; 5 1 ; 9	
		8 A 9 B G C B G 5 F 9 B B 7 < 9 G H C @ F 5 B 7 9 G ; F 5 7 H C B 5 @ ± 5 B; 1 @ 5 F: A 5 7 < ± 6 9 8 8 ± H K C D @ 5 7 9 8 9 7 A 5 @ ± ± H: F 9 9 D @ 5 7 9 8 9 7 A 5 @ ±	8 F 5 K B			H # @.
		B H 9 F D F 9 H: 9 C A 9 F 7 H C @ F 5 B 7 B: D 9 F.			(\$ % \$ & A B ! 5 ! 5 5	
		A 5 H 9 F 5 @	9 B: 5 D D F "	A: ; 5 D D F "		
		: B 6 <	E " 5 "		G A 9 8 K ; " " B C "	F 9 J
B 9 L H 5 G G M	I G 9 8 C B		7 C A A 9 B H G		G 7 5 @ . %) K 9 ÷ < H ' G < 9 9 H (' C : '*	
5 D D @ 7 5 H C B	8 C B C H G 7 5 @ 9 8 F 5 K B:					



DFC DF 5FM5B87CB: 89BH5@
 H:9 B: CFA 5HC B 7C B15 B98 B H:6
 8F5K B: 6H:9GC @DFC D9FHVC:
 OB G9FH7 CA D5BMB5A 9<9F92" 5BM
 F9DFC 81 7HC B B D5FHCF 5G5 K <C @
 K H:C1 H:9K F H9B D9FA 6GC B C:
 OB G9FH7 CA D5BMB5A 9<9F92 G
 DFC <6#98*

		I B @GGC H:9FK 69 GD97 ÷ 98.		B5A 9	85H9
		8 A 9BG C BG5F9 B B7 <9G HC @F 5B7 9G ; F57 HC B5 @± 5B: I @5F: A 57 <±69B8 ± HK C D@57 9897 A 5@±± H: F99D@57 9897 A 5@±	8F5K B 7 <97 98 9B: 5DDF" A: 5DDF" E "5" 7 C A A 9BHG		
		B H9F DF 9H: 9C A 9F 7 HC @F 5B7 B: D9F. A 5H9F 5@			
B9LH5GGM	I G98 CB	: B 6<			
	5DD@7 5HC B	8C B CHG7 5 @98F5K B:			

&& ; 51 ; 9		
H#@.		
(\$% \$&A B!5!55		
G#9 5	8K ; ""BC"	F9J
G7 5 @. % (K 9 ÷ <H'	G<99H) 'C : '*



DFC DF 5FM5B87CB: 89BH5@
 H:9 B: CFA 5HC B 7C B15 B98 B H:6
 8F5K B: 6H:9GC @DFC D9F HVC:
 OB G9FH7CA D5BMB5A 9<9F92" 5BM
 F9DFC 817HC B B D5FHCF 5G5 K <C @
 K H:C1 H:9K F H9B D9FA 6GC B C:
 OB G9FH7CA D5BMB5A 9<9F92 6
 DFC <6#98"

		I B @GGCH:9FK 69GD97 ÷ 98.		B5A 9	85H9	;&; 51; 9		
		8A 9BG C BG5F9 B B7 <9G HC @F5B7 9G :F57 HC B5 @± 5B: I @F: A 57 <±69B8 ± HK C D@579897 A 5@± H:F99D@579897 A 5@±	8F5K B 7 <97?98 9B: 5DDF" A: 5DDF"					H#@. (% \$&A B!5!55
		B H9FDF9H: 9CA 9FF 7 HC @F5B7 B: D9F. A 5H9F 5@	E "5" 7CA A 9BHG			G#9 5	8K; "'BC"	
	B9LH5GGM	I G98 CB	: B<			G75 @. % (K 9 ÷ <H'	G<99H* 'C: '*
	5DD@7 5HC B	8C B CHG75 @98F5K B:						

)

(

&

%