

**EVERGREEN LIGHTING**

5 @ 69B8 F58 + G "\$' \$"

5DD@7 5HC B

I B @GGC H: 9FK 69 GD97 ÷ 98.		B5A 9	85H9	
8 A 9BG C BG5F9 B B7 < 9G HC @F 5B7 9G : F57 HC B5 @± "\$\$' 5B: I @F: A 57 < ± "\$%''69B8 ± HK C D@5 7 9 8 97 A 5 @'' ± H: F99D@5 7 9 8 97 A 5 @ ± "\$\$%	8F5K B 7 < 97 ?98 9B: 5DDF" A: : 5DDF"			H#@.
B H@FDF 9H: 9C A 9FF 7 HC @F 5B7 B: D9F. A 5 H@F 5@	E "5" 7 C A A 9BHG			@ &&%@G7 F@ (!&\$@98!A 6?!K 5!(%?
: B G<				G#9 8K ; ""BC" <b>5</b> H7 ? 9H&' ( - - F9J
8C B CHG7 5 @ 8F5K B:				G7 5 @. %%%K 9 ÷ < H' G< 99H% C: %<

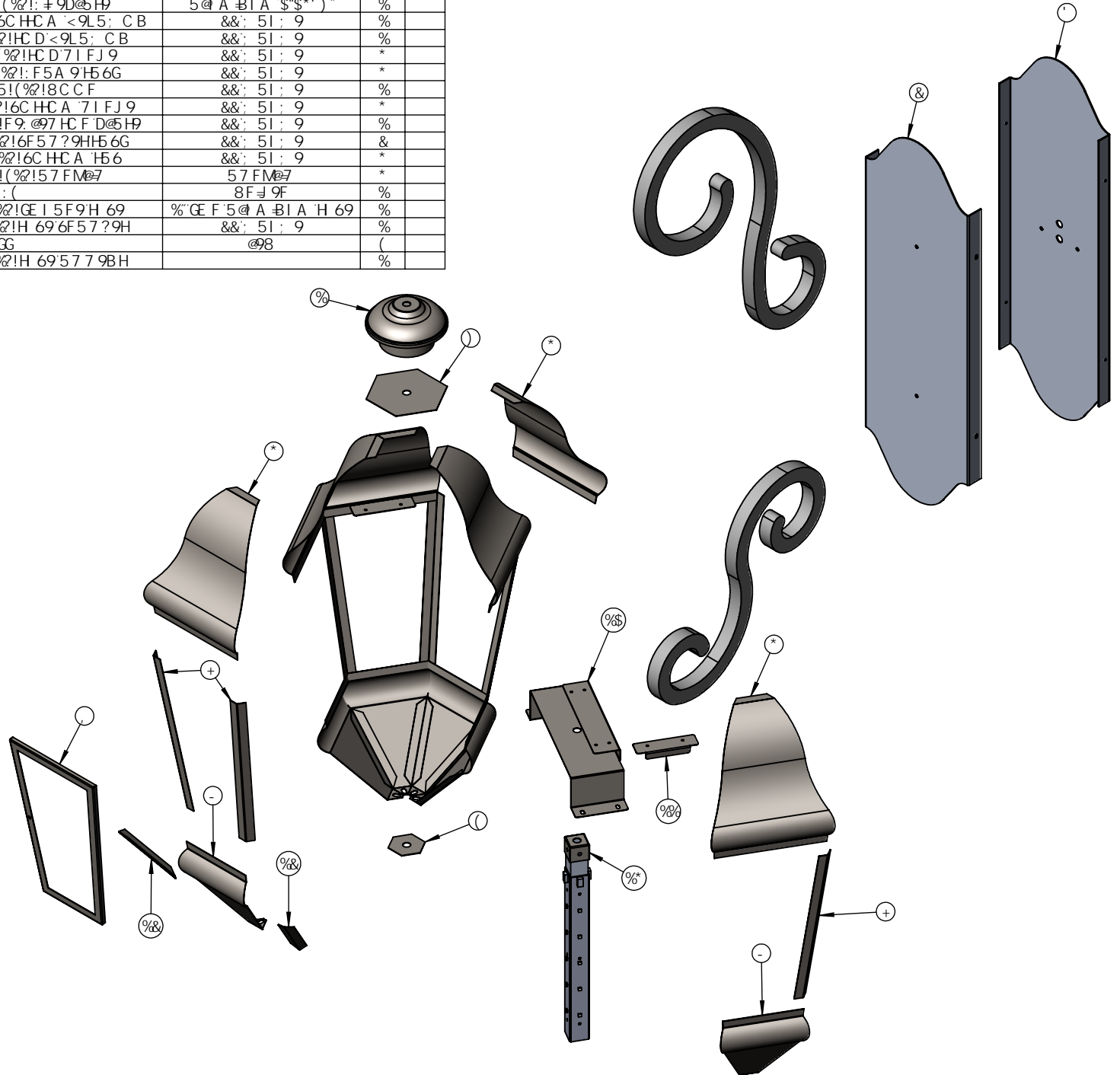
)

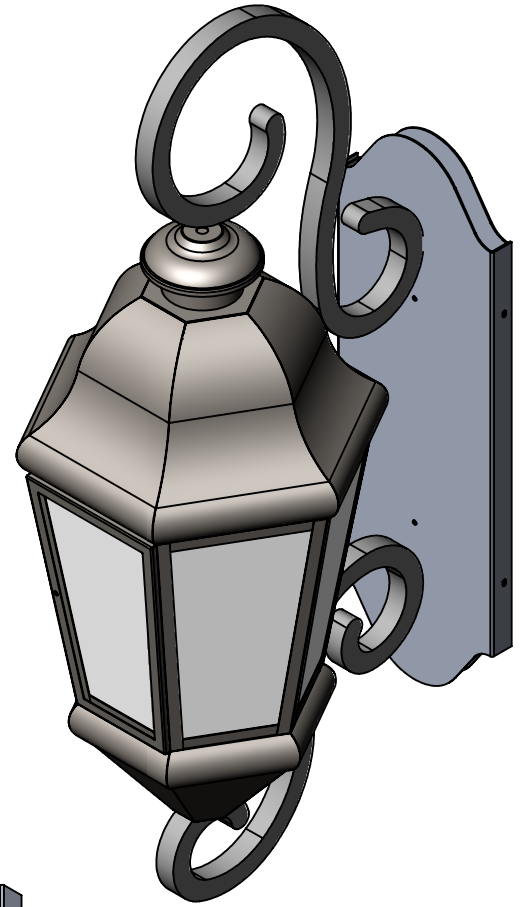
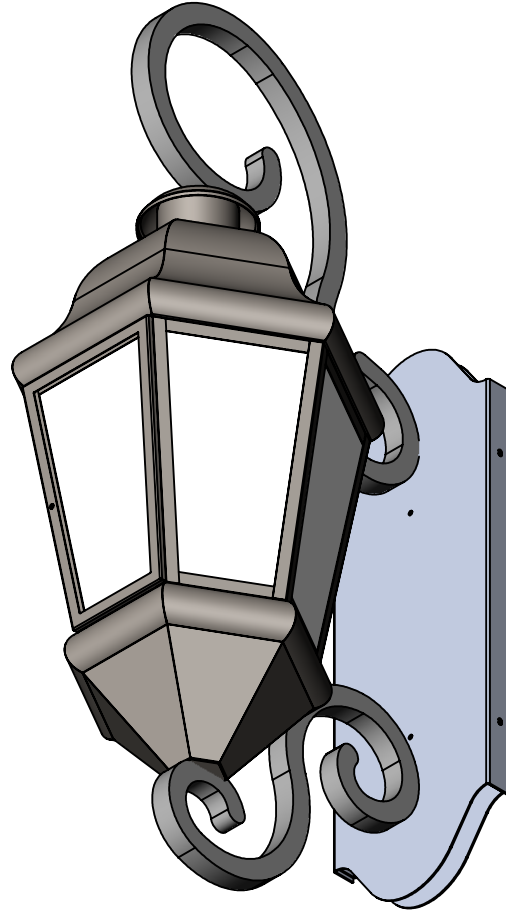
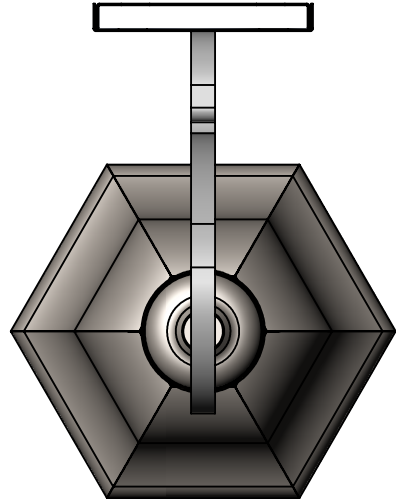
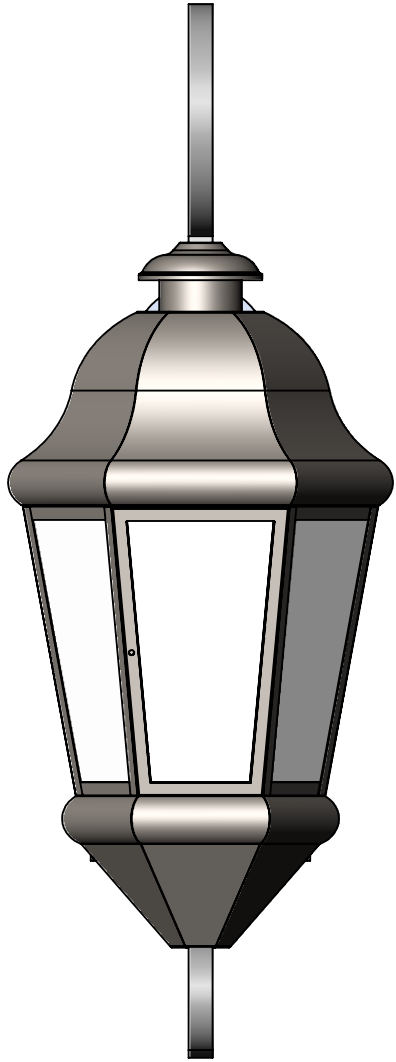
(

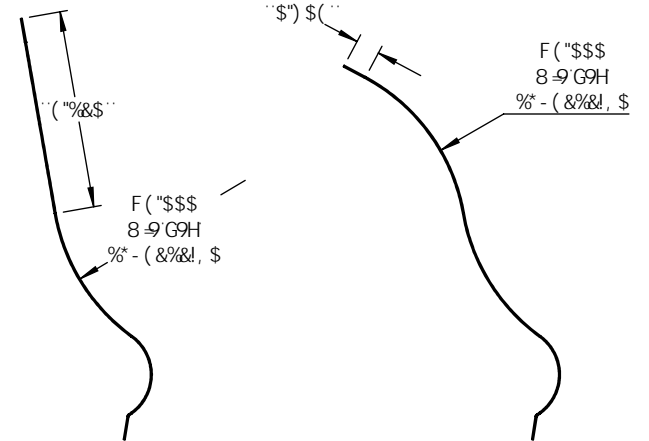
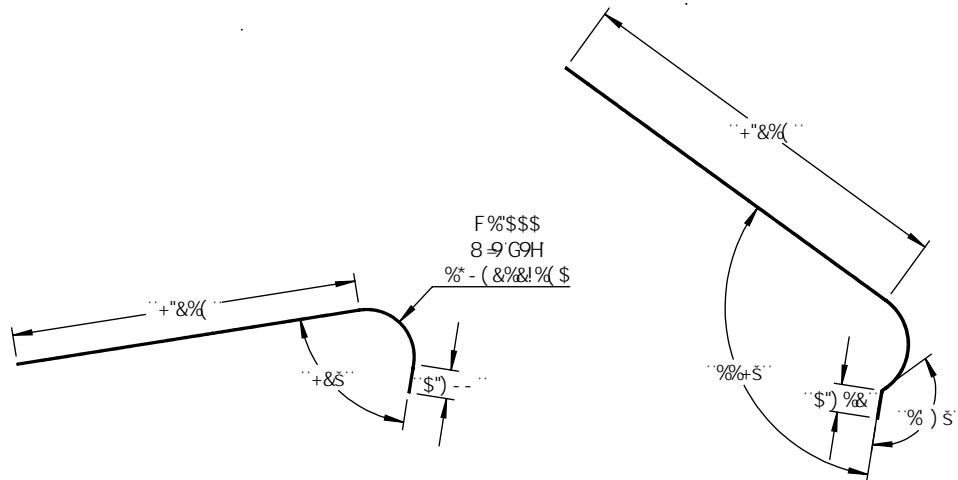
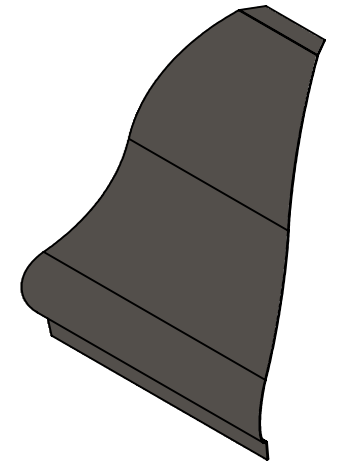
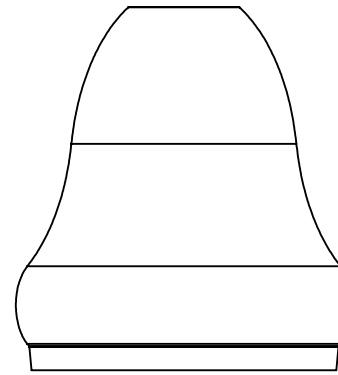
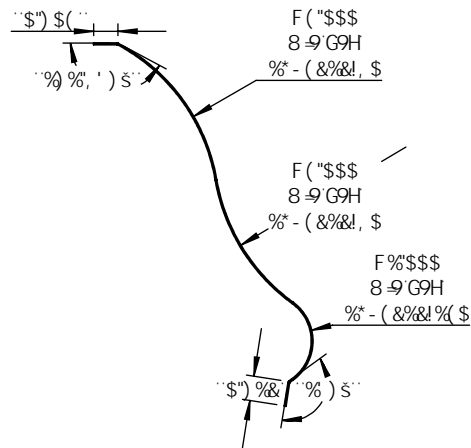
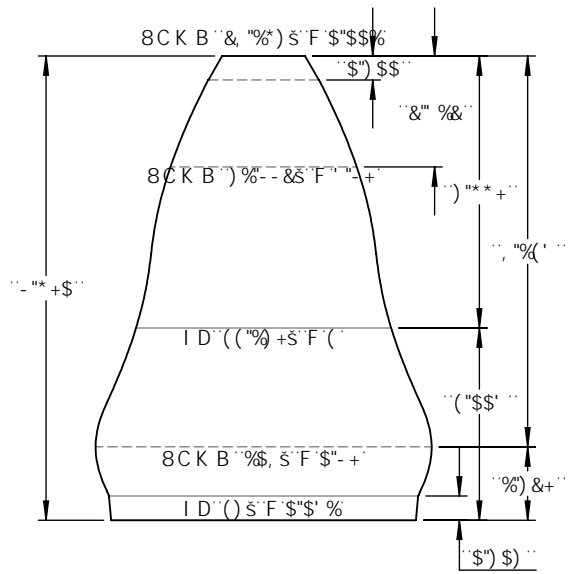
&

%

#PA BC"	D5FHBI A 69F	89G7 F DHC B	E HM   7 I H
%	: @ &&%A G7 F @ ( ! &\$@8! A 6? ! K 5! (%? ! H C D G D I B 5 7 7 9 B H G	G D I B && : 5 I : 9	%
&	: @ &&%A G7 F @ ( ! &\$@8! A 6? ! K 5! (%? ! 6 5 7 ? D @ 5 H	5 @ A B I A "\$ \$ * ' ) "	%
'	: @ &&%A G7 F @ ( ! &\$@8! A 6? ! K 5! (%? ! : F 9 D @ 5 H	5 @ A B I A "\$ \$ * ' ) "	%
(	: @ &&%A G7 F @ ( ! &\$@8! A 6? ! K 5! (%? ! 6 C H C A < 9 L 5 : C B	&& : 5 I : 9	%
)	: @ &&%A G7 F @ ( ! &\$@8! A 6? ! K 5! (%? ! H C D < 9 L 5 : C B	&& : 5 I : 9	%
*	: @ &&%A G7 F @ ( ! &\$@8! A 6? ! K 5! (%? ! H C D 7 I F J 9	&& : 5 I : 9	*
+	: @ &&%A G7 F @ ( ! &\$@8! A 6? ! K 5! (%? ! : F 5 A 9 H 5 6 G	&& : 5 I : 9	*
,	: @ &&%A G7 F @ ( ! &\$@8! A 6? ! K 5! (%? ! 8 C C F	&& : 5 I : 9	%
-	: @ &&%A G7 F @ ( ! &\$@8! A 6? ! K 5! (%? ! 6 C H C A 7 I F J 9	&& : 5 I : 9	*
%\$	: @ &&%A G7 F @ ( ! &\$@8! A 6? ! K 5! (%? ! F 9 @ 7 H C F D @ 5 H	&& : 5 I : 9	%
%%	: @ &&%A G7 F @ ( ! &\$@8! A 6? ! K 5! (%? ! 6 F 5 7 ? 9 H H 5 6 G	&& : 5 I : 9	&
%&	: @ &&%A G7 F @ ( ! &\$@8! A 6? ! K 5! (%? ! 6 C H C A H 5 6	&& : 5 I : 9	*
%	: @ &&%A G7 F @ ( ! &\$@8! A 6? ! K 5! (%? ! 5 7 F M @ 7	5 7 F M @ 7	*
%@	? H @ ! 8 ) ! % + \$ \$ ! : 8 A ! 5 : (	8 F J 9 F	%
%	: @ &&%A G7 F @ ( ! &\$@8! A 6? ! K 5! (%? ! G E I 5 F 9 H 6 9	% " G E F 5 @ A B I A H 6 9	%
%*	: @ &&%A G7 F @ ( ! &\$@8! A 6? ! K 5! (%? ! H 6 9 6 F 5 7 ? 9 H	&& : 5 I : 9	%
%+	5 H J @ 8 D B % \$ ) 6 ! % A G G	@ 8	(
%	: @ &&%A G7 F @ ( ! &\$@8! A 6? ! K 5! (%? ! H 6 9 5 7 7 9 B H		%







DFC DF-9 5FM5B8 7CB: 89BH5@  
H:9 B: CFA 5HC B 7 C B H5 B98 B H:6  
8F5K B: 6H:9GC @DFC D9FHMC:  
OBG9FH7 CA D5BMB5A 9<9F92" 5BM  
F9DFC 81 7HC B-B D5FHCF 5G5 K <C @  
K H:C1 H:9K F H9B D9FA 6GC B C:  
OBG9FH7 CA D5BMB5A 9<9F92 G  
DFC <6#98"

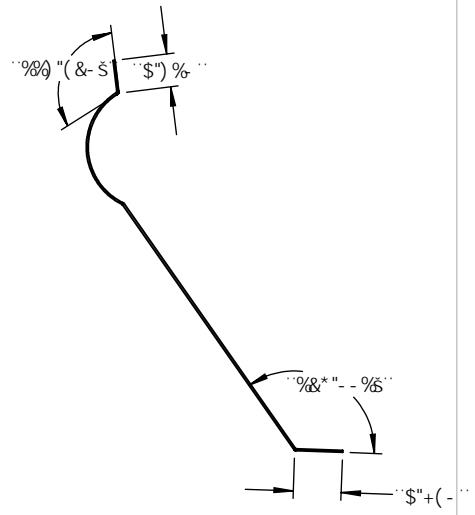
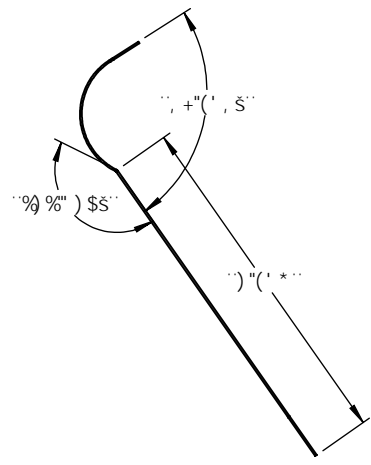
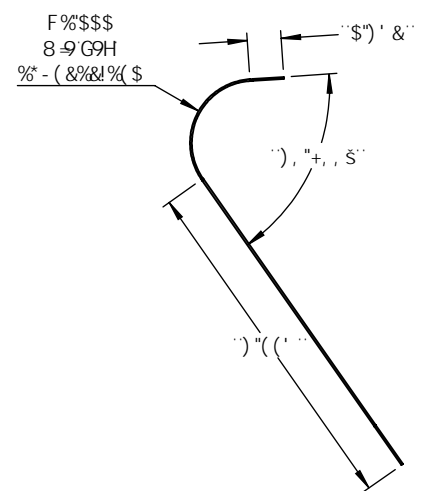
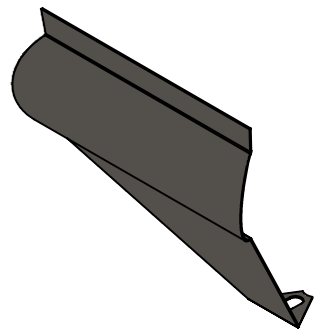
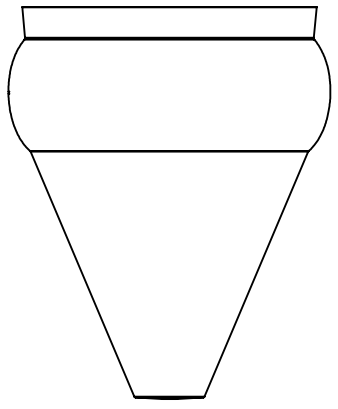
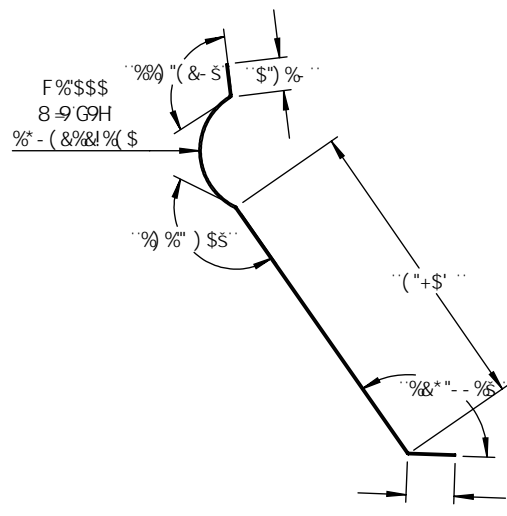
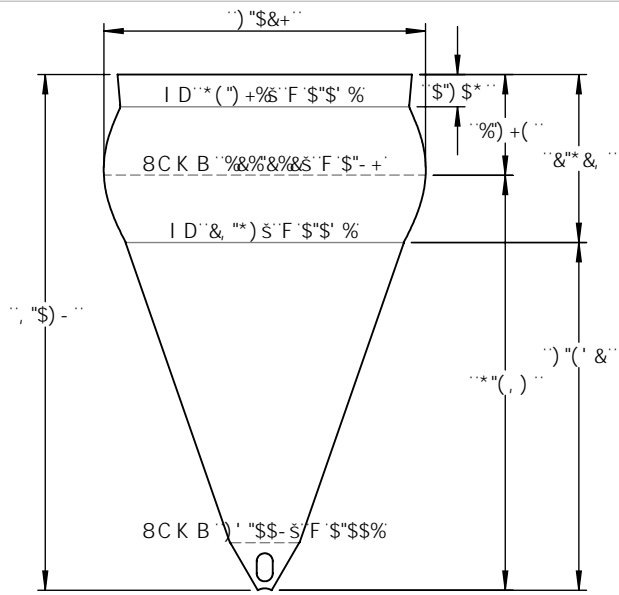
		I B @GGC H:9FK 69 GD97 ÷ 98.	B5A 9	85H9	&&; 51; 9
		8-A 9BGC BG5F9 B-B7 <9G HC @F5B7 9G : F57 HC B5 @± 5B: I @5F: A 57 <± .....69B8 ± HK C D@57 9897 A 5@±± H:F99D@57 9897 A 5@±	8F5K B		
		B H9FDF 9H: 9C A 9F7 HC @F5B7 B: D9F.	7 <97 98		@ &&%@G7 F@ (!&\$@98!A 6? !K 5!(%?
		A 5H9F 5@	9B: 5DDF"		
	B9LH5GGM	I G98 C B	A: : 5DDF"		
	5DD@7 5HC B	8C B CHG7 5 @98F5K B:	E "5"		G#9 8K; ""BC"
			7 C A A 9BHG		F9J
					G7 5 @. % ( K 9 ÷ <H'
					G<99H ( 'C : % (

)

(

&

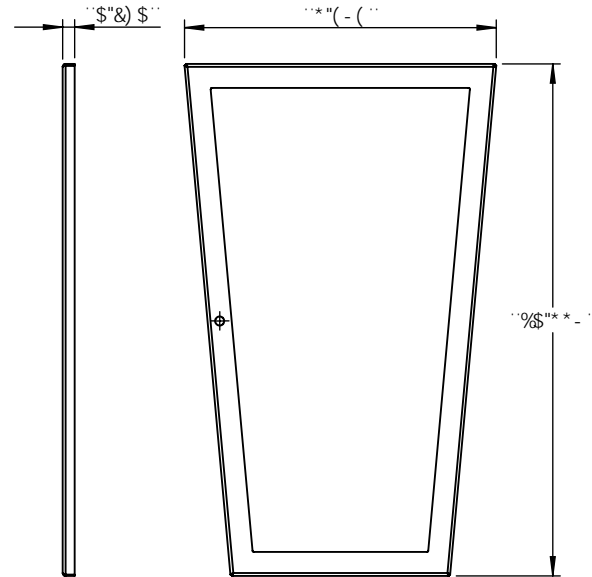
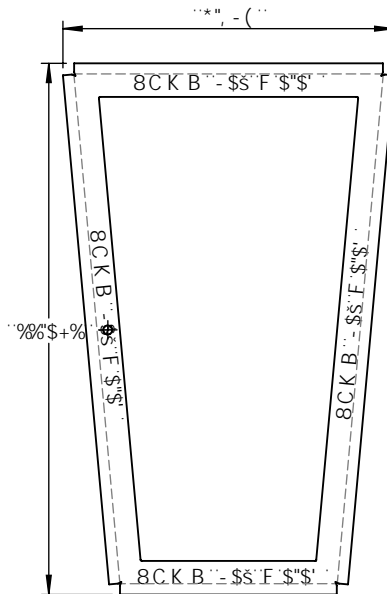
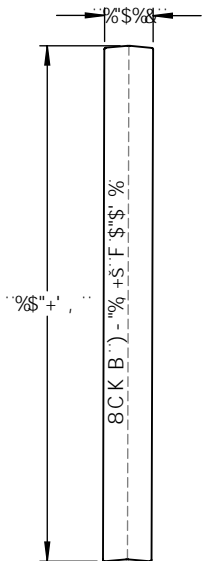
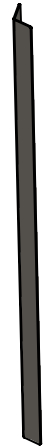
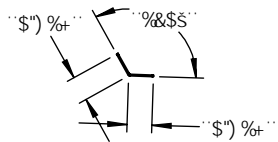
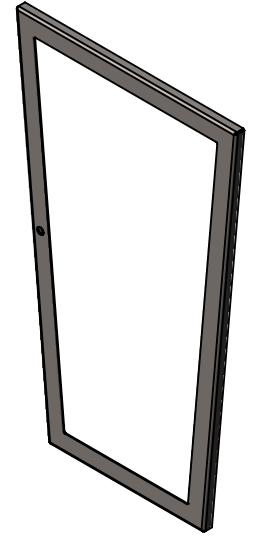
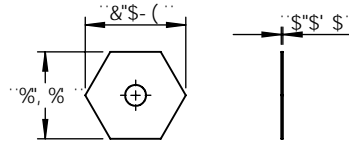
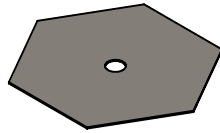
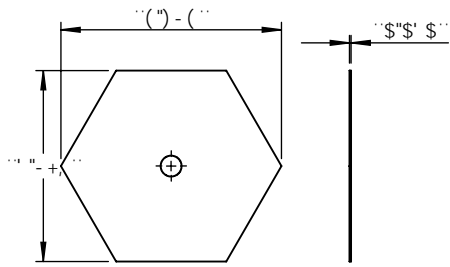
%



DFC DF-9F5FM5B87CB: 89BH5@  
 H:9 B: CFA 5HC B 7CBH5 B98 B H:6  
 8F5K B: 6H:9GC @DFC D9F HVC:  
 OB G9FH7 CA D5BMB5A 9<9F92" 5BM  
 F9DFC 81 7HC B B D5FHCF 5G5 K <C @  
 K H:C I H:9K F H9B D9FA 6GC B C:  
 OBG9FH7 CA D5BMB5A 9<9F92 6  
 DFC <6H98"

		IB @GGCH:9FK 69GD97 ÷ 98.		B5A 9	85H9
		8A 9BGCBG5F9 B B7 <9G HC @F5B7 9G :F57 HC B5@± 5B: I @F: A 57 <±.....69B8 ± HK C D@579897 A 5@± H:K F99D@579897 A 5@±	8F5K B 7 <97 ?98 9B: 5DDF" A: : 5DDF"		
		BH9FDF9H: 9CA 9FF 7 HC @F5B7 B: D9F. A 5H9F 5@	E "5" 7 C A A 9BHG		
B9LH5GGM	I G98 CB	: B 6<			
	5DD@7 5HC B	8C B CHG7 5 @98F5K B:			

&&; 51; 9		
H#@.		
: @C &&%@G7 F@ (!&\$@98!A 6?!K 5!(%?		
GAP <b>5</b>	8K; ""BC"	F9J
G7 5 @. %'	K 9 ÷ <H'	G<99H) 'C: %



DFC DF 5 FM 5 B 8 7 C B : 8 9 B H 5 @  
 H: 9 B: CFA 5HC B 7 C B H 5 B 9 B B H: 6  
 8F5K B: 6H: 9GC @DFC D9FHVC:  
 OB@9FH7CA D5BMB5A 9<9F92" 5BM  
 F9DFC 81 7 HC B B D5FHCF 5G5 K <C @  
 K H: C I H H: 9K F H H B D9FA 6GC B C:  
 O: B@9FH7CA D5BMB5A 9<9F92 6  
 DFC < 6 H 9 B \*

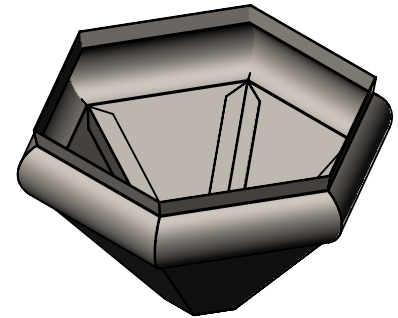
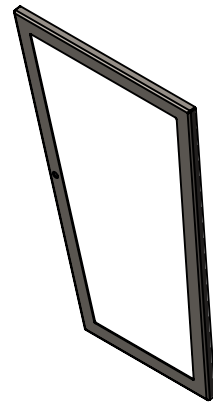
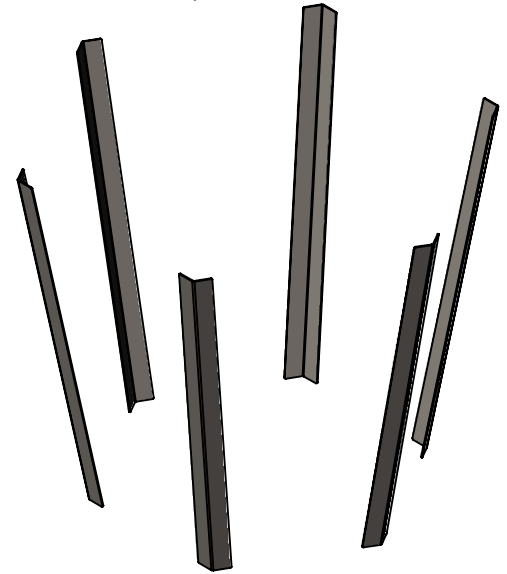
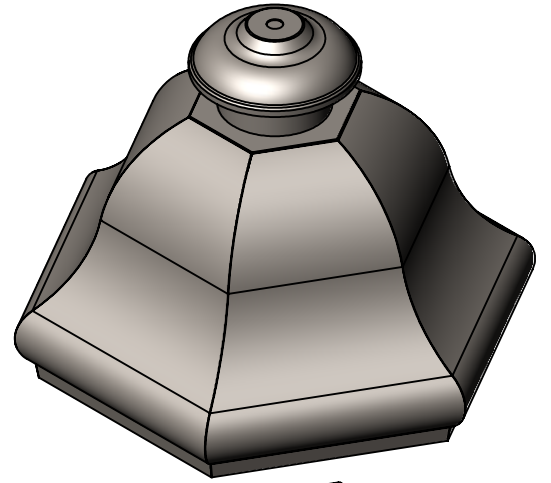
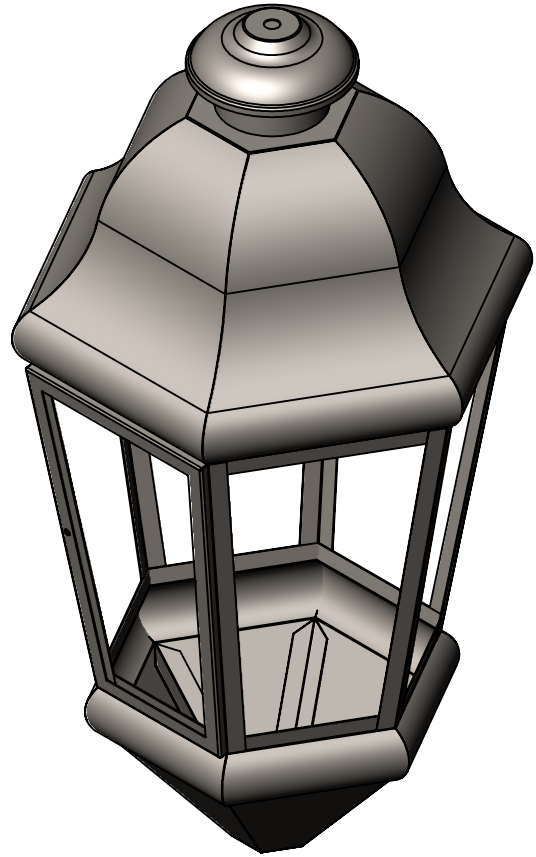
		I B @GGCH: 9FK 69 GD97 ÷ 98.		B5A 9	85H9	88; 51; 9		
		8 A 9BGC BG5F9 B B7 < 9G HC @F 5B7 9G ; F57 HC B5 @± 5B: I @F: A 57 < ± ..... 69B 8 ± HK C D @5 7 9 8 97 A 5 @ ± H: F99 D @5 7 9 8 97 A 5 @ ±	8F5K B 7 < 97 ? 98 9B: 5DDF" A: : 5DDF"					H @.
		B H F D F 9H: 9C A 9F 7 HC @F 5B7 B: D9F. A 5 H F 5 @	E "5" 7 C A A 9BHG			@ C & % 8 1 G 7 F @ (! & \$ @ 9 8 ! A 6 ? ! K 5 ! ( % ?		
B9LH5GGM	I G98 C B	: B <				G A 9	8 K ; " " B C "	F 9 J
5DD@7 5HC B		8C B CHG 7 5 @ 8 F 5 K B:				G 7 5 @ . % (	K 9 ÷ < H '	G < 99 H * ' C : % (

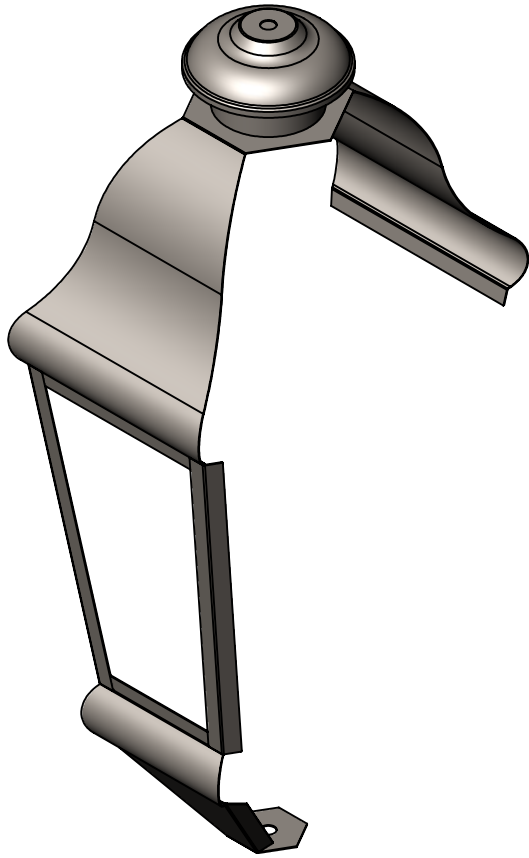
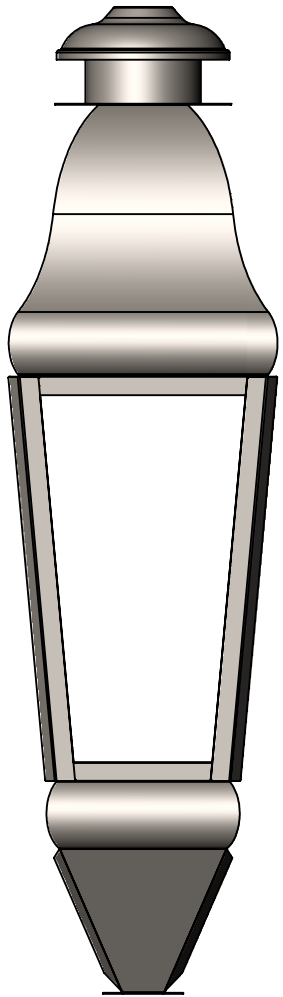
)

(

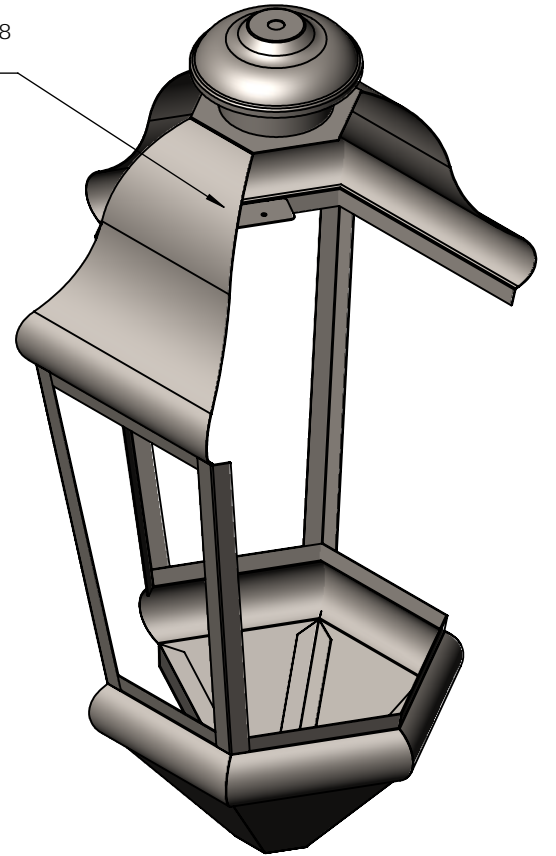
&

%

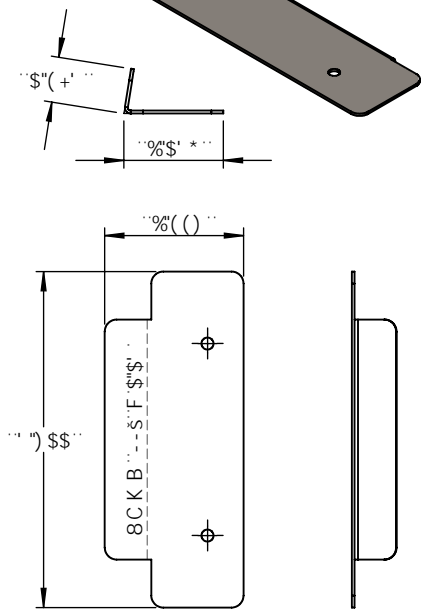
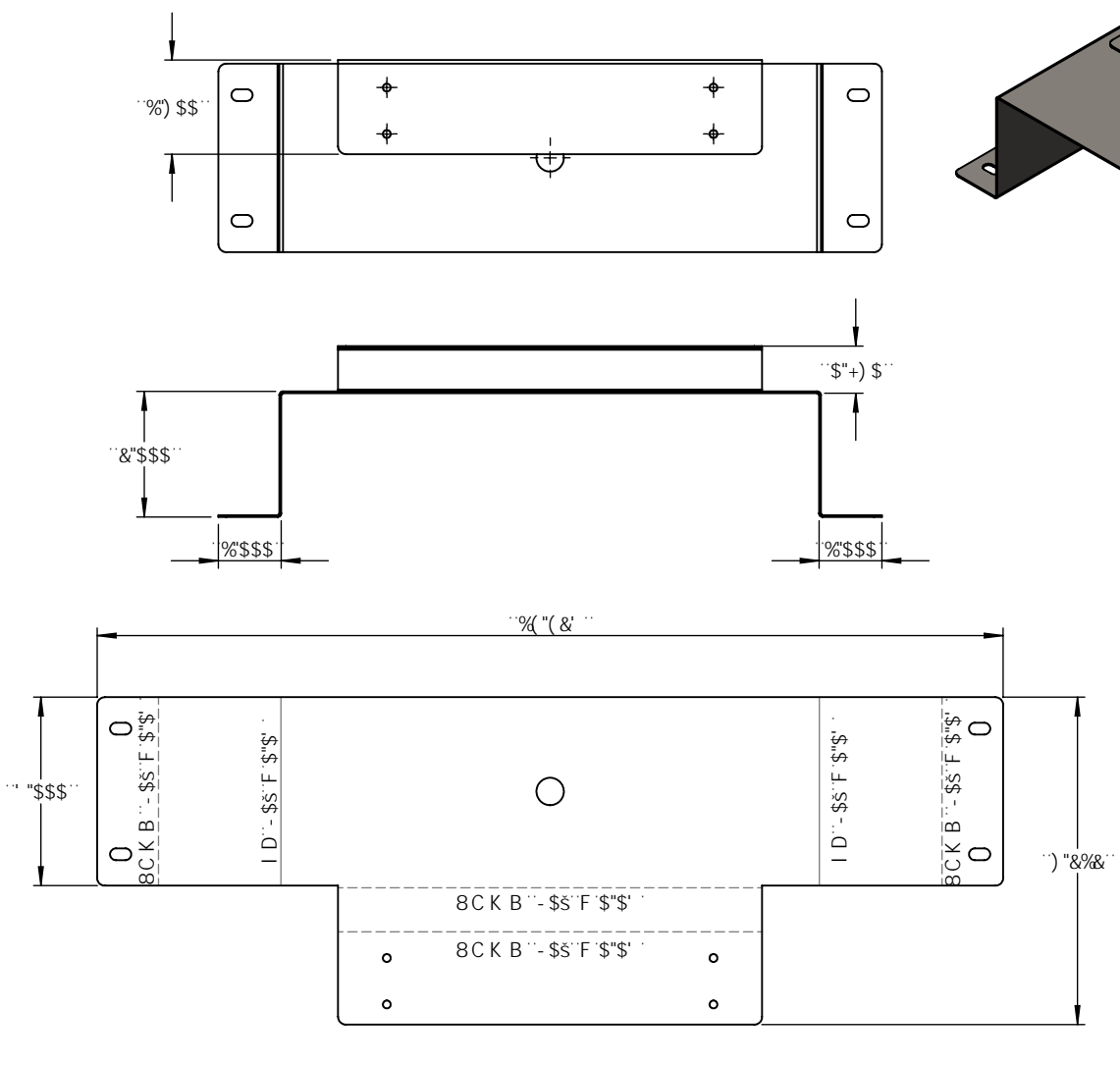
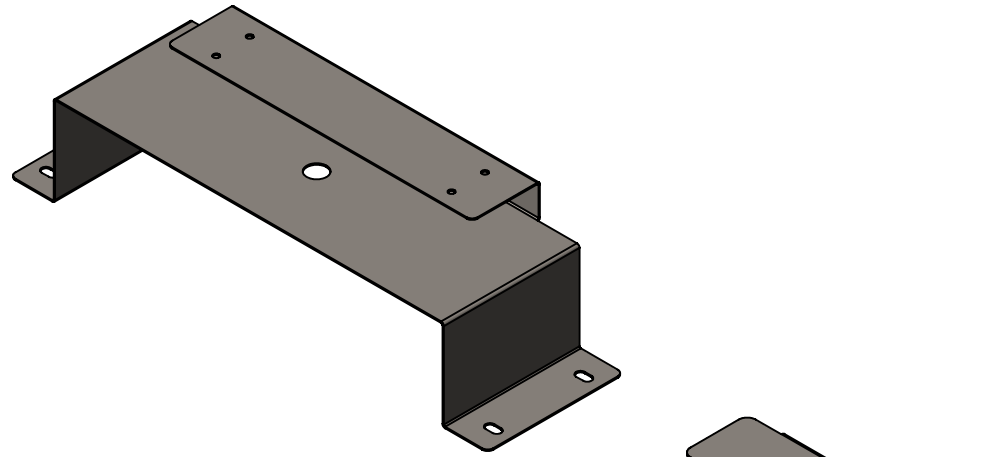




&'6F57?9HGDC HK 9@898  
HC 'C DDC G#P'G-89G



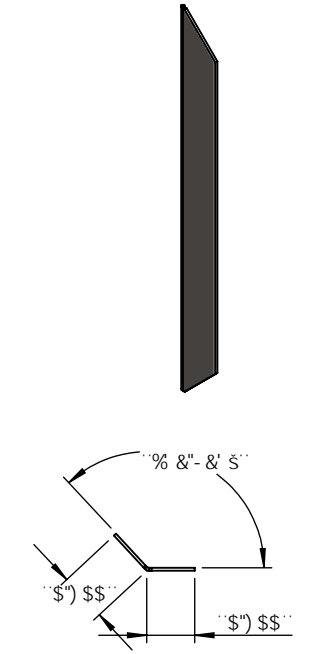
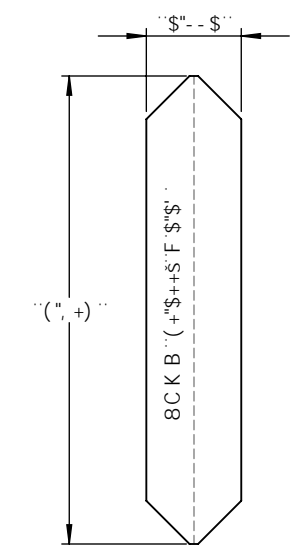
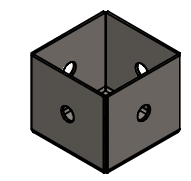
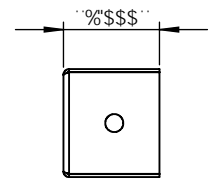
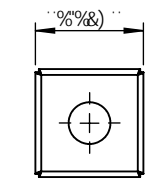
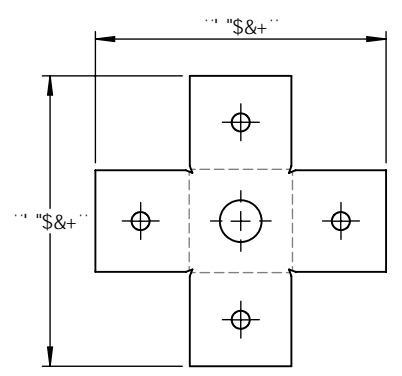
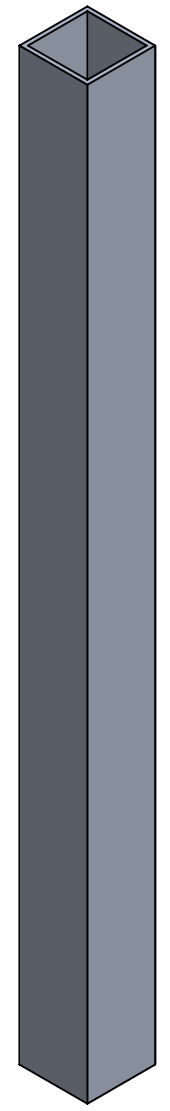
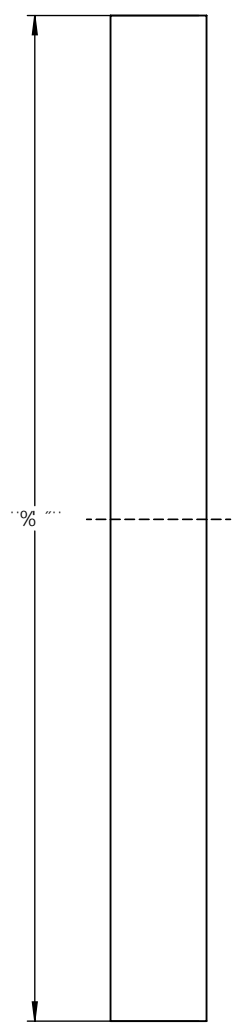
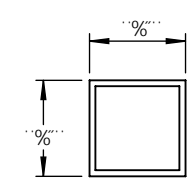




**DFC DF-5FM5B87CB: 89BH5@**  
 H: 9 B: CFA 5HC B 7 C B H 5 B 98 B H: 6  
 8F5K B: 6H: 9 GC @DFC D9F HVC:  
 O B G9FH7 CA D5BMB5A 9 < 9F92" 5BM  
 F9DFC 81 7 HC B B D5FHCF 5G5 K < C @  
 K H: C1 H: K 9K F H9B D9FA 6GC B C:  
 O B G9FH7 CA D5BMB5A 9 < 9F92 G  
 DFC < 6#98"

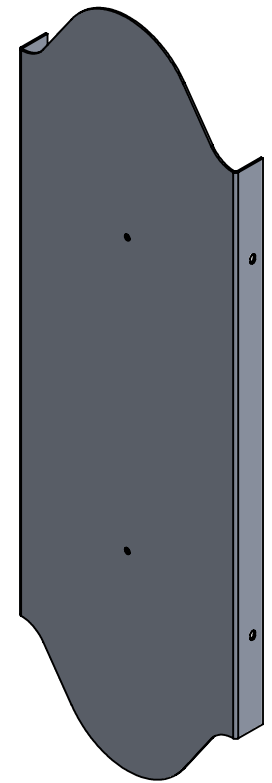
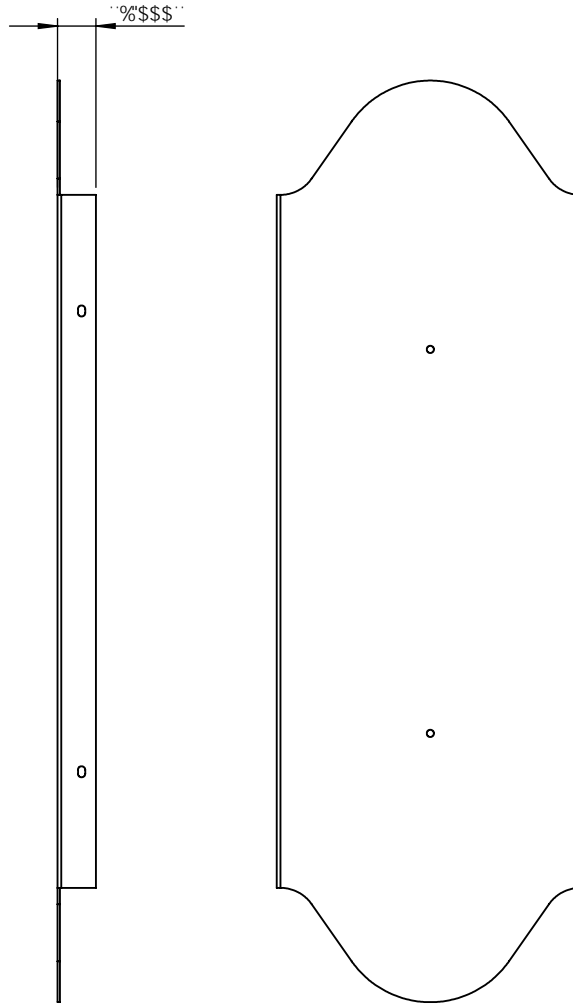
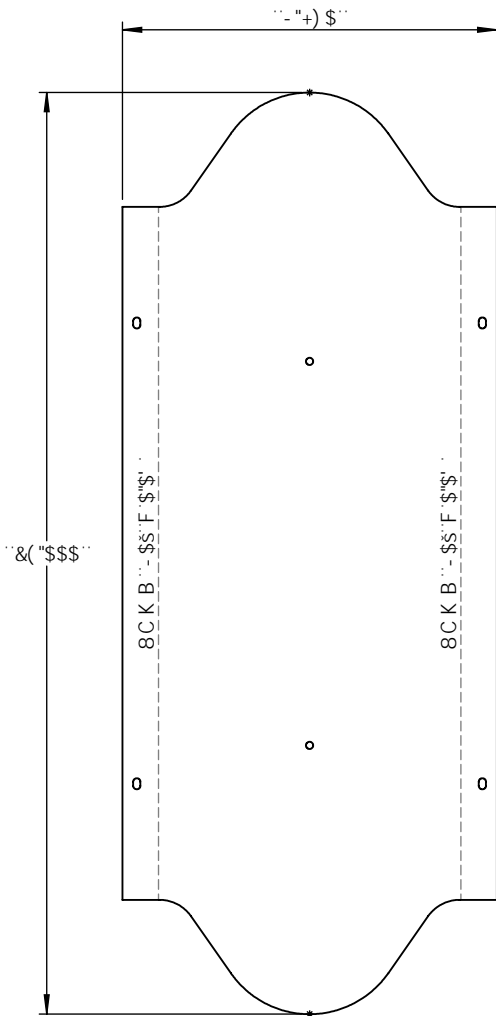
		I B @GGC H: 9FK 69 GD97 ÷ 98.	B5A 9	85H9
		8 A 9BG C BG5F9 B B7 < 9G HC @F5B7 9G : F57 HC B5 @± 5B: I @5F: A 57 < ± ..... 69B8 ± HK C D @57 9897 A 5 @ ± H: F99D @57 9897 A 5 @ ±	8F5K B	
		B H F D F 9H: 9C A 9F 7 HC @F5B7 B: D9F.	7 < 97 98	
		A 5H F 5 @	9B: 5DDF"	
		: B 6<	A: : 5DDF"	
			E "5"	
			7 C A A 9BHG	
B9LH5GGM	I G98 CB			
5DD@7 5HC B		8C B CHG7 5 @ 8F5K B:		

; 51 ; 9'  
 H#@.  
 @ C && % 9 1 G 7 F @ ( ! & \$ @ 9 8 ! A 6 ? ! K 5 ! ( % ?  
 G A 9 8 K ; " " BC " F 9 J  
 5  
 G 7 5 @ . % & K 9 ÷ < H ' G < 99 H - ' C : % (



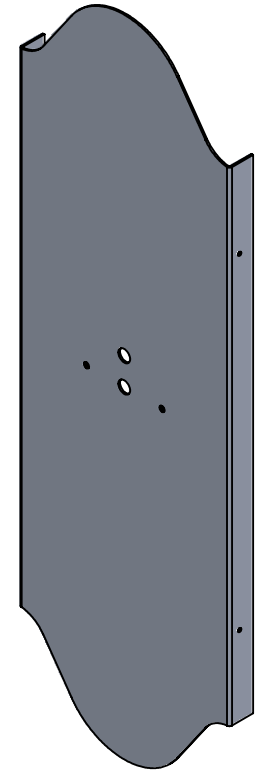
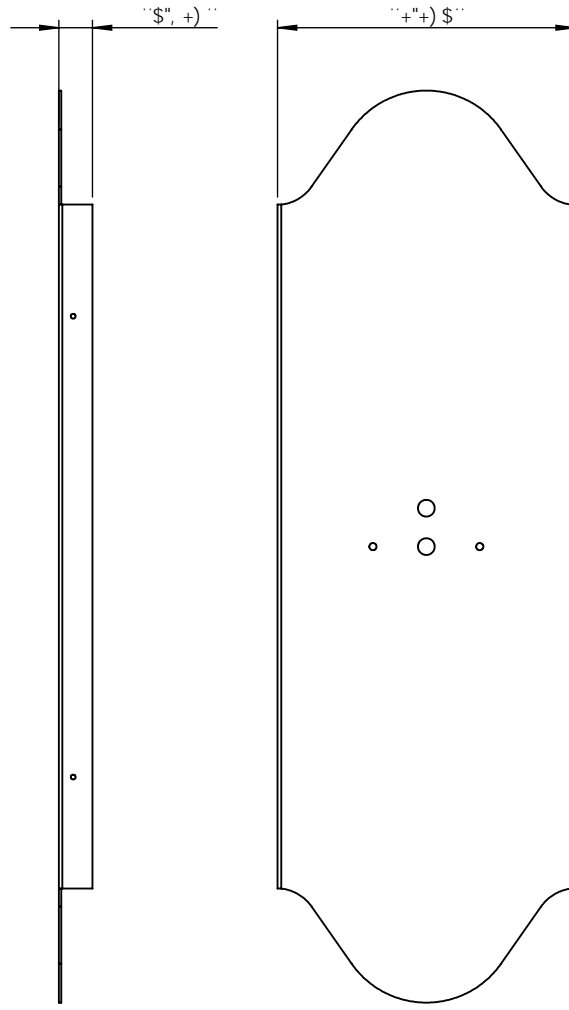
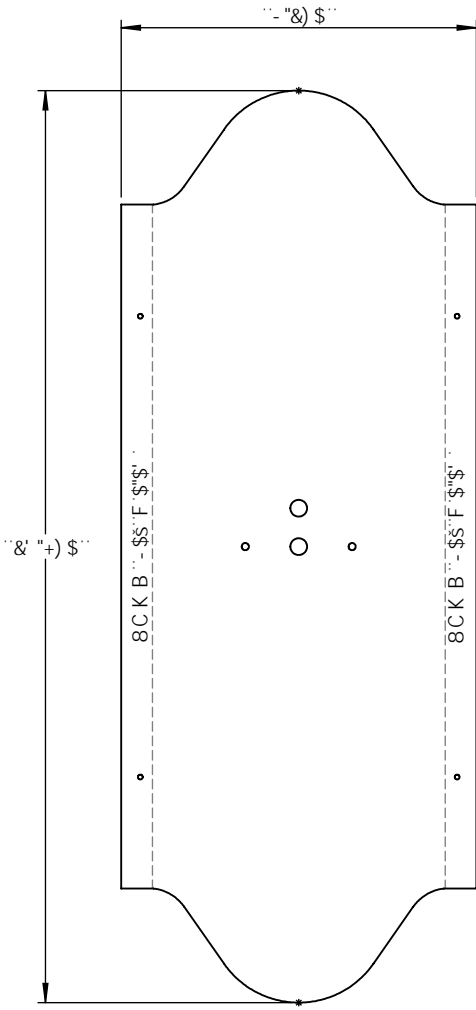
DFC DF 5 FM 5 B 8 7 C B : 8 9 B H 5 @  
 H: 9 B: C F A 5 H C B 7 C B H 5 B 9 8 B H: 6  
 8 F 5 K B: 4 G H: 9 G C @ D F C D 9 F H M C:  
 O B G 9 F H 7 C A D 5 B M B 5 A 9 < 9 F 9 2 " 5 B M  
 F 9 D F C 8 1 7 H C B B D 5 F H C F 5 G 5 K < C @  
 K 4: C 1 H H: 9 K F H 9 B D 9 F A 6 G C B C:  
 O B G 9 F H 7 C A D 5 B M B 5 A 9 < 9 F 9 2 G  
 D F C < 6 H 9 8 "

		I B @ G G C H: 9 F K 6 9 G D 9 7 9 8.	B 5 A 9	8 5 H 9	&&; 5 1 ; 9	
		8 A 9 B G C B G 5 F 9 B B 7 < 9 G H C @ F 5 B 7 9 G : F 5 7 H C B 5 @ ± 5 B: 1 @ F: A 5 7 < ± ..... 6 9 B 8 ± H K C D @ 5 7 9 8 9 7 A 5 @ ± H: K F 9 9 D @ 5 7 9 8 9 7 A 5 @ ±	8 F 5 K B	7 < 9 7 ? 9 8		H # @.
		B H 9 F D F 9 H: 9 C A 9 F 7 H C @ F 5 B 7 B: D 9 F.	E " 5 "	7 C A A 9 B H G	@ C && % 9 1 G 7 F @ (! & \$ @ 9 8 ! A 6 ? ! K 5 ! ( % ?	
	B 9 L H 5 G G M	A 5 H 9 F 5 @			G A 9 8 K ; " " B C "	F 9 J
	5 D D @ 7 5 H C B	8 C B C H G 7 5 @ 9 8 F 5 K B:			G 7 5 @ . % & K 9 7 < H "	G < 9 9 H % \$ C : % (



DFC DF 9 5 FM 5 B 8 7 C B : 8 9 B H 5 @  
 H: 9 B: CFA 5HC B 7 C B H 5 B 98 B H: 6  
 8F5K B: 6H: 9GC @DFC D9FHVC:  
 OB G9FH7 CA D5BMB 5A 9 < 9F 92 " 5BM  
 F9DFC 81 7 HC B B D5FHCF 5G5 K < C @  
 K H: C I H H: 9K F H H B D9FA 6GC B C :  
 O B G9FH7 CA D5BMB 5A 9 < 9F 92 G  
 DFC < 6 H 98 "

		I B @GGC H: 9FK 69 GD97 ÷ 98.	B5A 9	85H9	5 @ A B I A '\$ \$ * ' ) "
		8 A 9BG C BG 5F 9 B B 7 < 9G HC @F 5B 7 9G ; F 57 HC B 5 @ ± 5B: I @5F: A 57 < ± ..... 69B 8 ± HK C D @5 7 9 8 97 A 5 @ ± H: F 99 D @5 7 9 8 97 A 5 @ ±	8F5K B		H # @.
		B H 9 F D F 9 H: 9C A 9 F 7 HC @F 5B 7 B: D9F.	7 < 97 ? 98		@ C & % % 1 G 7 F @ ( ! & \$ @ 98 ! A 6 ? ! K 5 ! ( % ?
		A 5 H 9 F 5 @	9B: 5 DDF "		
		: B 6 <	A: : 5 DDF "		
	B 9 L H 5 G G M		E " 5 "		
	I G 98 C B		7 C A A 9 B H G		
	5 D D @ 7 5 H C B	8 C B C H G 7 5 @ 9 8 F 5 K B:			G A 9 8 K ; " " B C " F 9 J
					G 7 5 @ . % ) K 9 ÷ < H ' G < 99 H % % C : ' %



DFC DF 5FM5B87CB: 89BH5@  
 H:9 B: CFA 5HC B 7C B15 B98 B H:6  
 8F5K B: 6H:9GC @DFC D9FHC:  
 OBG9FH7CA D5BMB5A 9<9F92" 5BM  
 F9DFC 817HC B B D5FHCF 5G5 K <C @  
 K H:C1 H:9K F H9B D9FA GGB C:  
 OBG9FH7CA D5BMB5A 9<9F92 G  
 DFC <6#98"

		I B @GGCH:9FK 69GD97 ÷ 98.	B5A 9	85H9	5@ A BIA '\$\$*' ) "
		8 A 9BG C BG5F9 B B7 <9G HC @F5B7 9G ; F57 HC B5 @± 5B: I @5F: A 57 <± .....69B8 ± HK C D@579897 A 5@± H:F99D@579897 A 5@±	8F5K B		H#@.
		BH9DF9H: 9CA 9FF 7 HC @F5B7 B: D9F.	7 <97 ?98		@ &&%1G7 F@ (!&\$@98!A 6?!K 5!(%?
		A 5H9F 5@	9B: 5DDF"		
		: B @<	A: : 5DDF"		
	B9LH5GGM		E "5"		
	I G98 CB		7 C A A 9BHG		
	5DD@7 5HC B	8C B CHG75 @98F5K B:			G#9 8K ; ""BC" F9J
					G7 5 @.%) K 9 ÷ <H' G<99H%&C: %

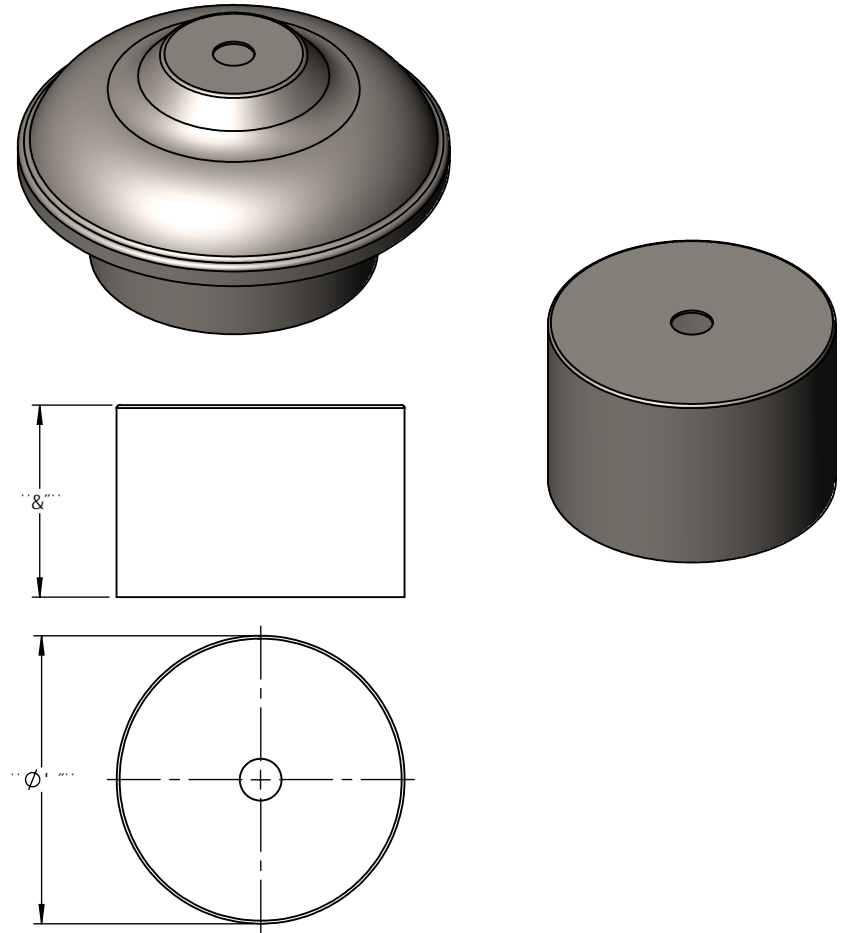
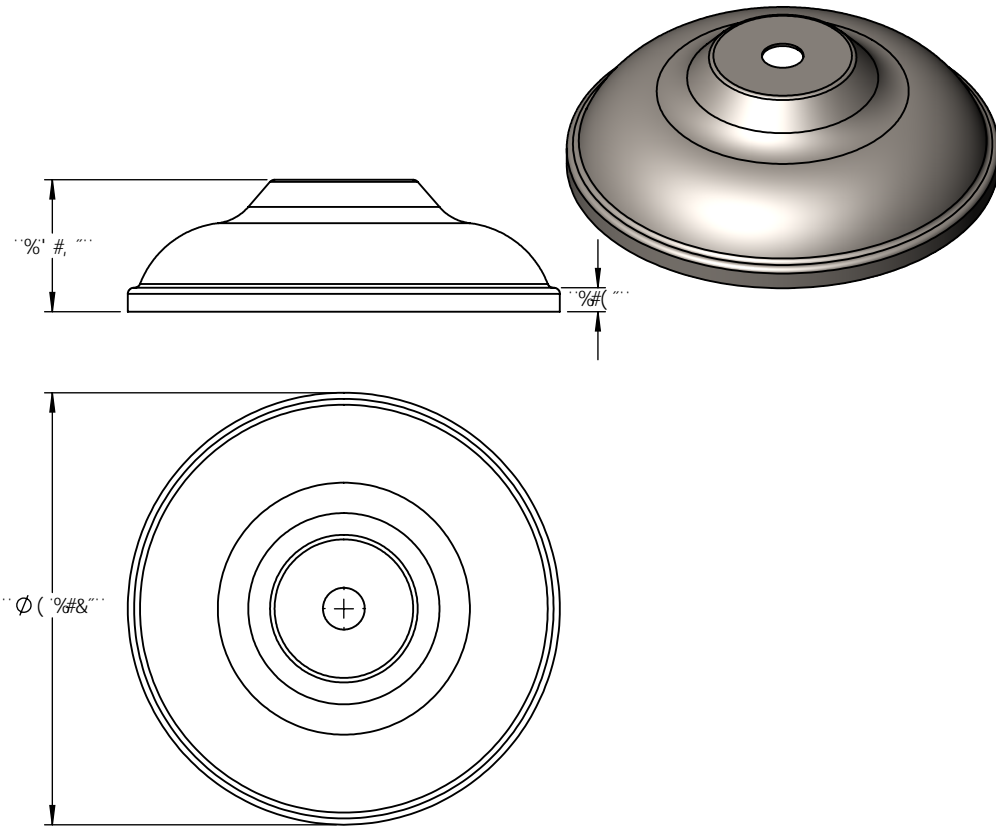
)

(

&

%

#9A BC "	D5FHBI A 69F	8 9G7 F-#HC B	E HM
%	: @ & % % 1 G7 F @ (! & \$ @ 98 ! A 6 ? ! K 5 ! ( % ? ! HC D GDI B 7 5 D	GDI B ' & & ; 5 ! ; 9	%



DFC DF-9 5FM5B8 7 CB: 8 9BH5 @  
 H: 9 B: CFA 5HC B 7 C B H5 B 98 B H: 6  
 8F5K B: 6H: 9GC @DFC D9FHC:  
 OBG9FH7 CA D5BMB5A 9 < 9F92 " 5BM  
 F9DFC 81 7 HC B -B D5FHCF 5G5 K < C @  
 K H: C1 H: 9K F H9B D9FA 6GC B C:  
 OBG9FH7 CA D5BMB5A 9 < 9F92 G  
 DFC < 6#98 "

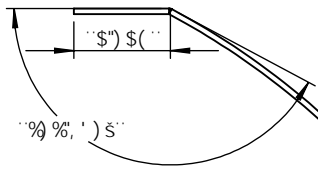
		I B @ 9GC H: 9FK 69 GD97 ÷ 98.		B5A 9	85H9	GDI B ' & & ; 5 ! ; 9	
		8 A 9BG C BG5F9 B -B 7 < 9G HC @F5B7 9G : F57 HC B5 @ ± 5B: I @ F: A 57 < ± ..... 69B 8 ± HK C D @ 5 7 9 8 97 A 5 @ ± H: F99 D @ 5 7 9 8 97 A 5 @ ±	8F5K B 7 < 97 ? 98 9B: 5DDF" A: 5DDF"			H # @.	
		B H F D F 9H: 9C A 9F 7 HC @F5B7 B: D9F. A 5H9F 5 @	E " 5" 7 C A A 9BHG			: @ & % % 1 G7 F @ (! & \$ @ 98 ! A 6 ? ! K 5 ! ( % ?	
B9LH5GGM	I G98 CB	: B G <				G A 9 <b>5</b>	8K ; " BC " F9J
5DD @ 7 5HC B	8C B CHG 7 5 @ 9 8F5K B:					G 7 5 @ . % & K 9 ÷ < H '	G < 99H % ' C : %

)

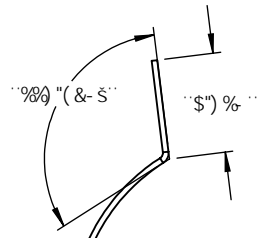
(

&

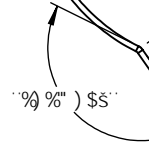
%



F( " \$\$\$  
8 → G9H  
%\* - ( &%&! , \$



F( " \$\$\$  
8 → G9H  
%\* - ( &%&! % ( \$



F( " \$\$\$  
8 → G9H  
%\* - ( &%&! , \$

( " + \$

F( " \$\$\$  
8 → G9H  
%\* - ( &%&! % ( \$

%&\* " - - %&\*

\$ " + ( -

