

#9A BC "	D5FHBI A 69F	89G7 F-DHC B	E HM	7 I H
%	7 M#5FA !*L% !% @8B!56!75!F98! '\$?!*#7 M#B89F	*~5@ A -BI A '7 M#B89F	%	%
&	7 M#5FA !*L% !% @8B!56!75!F98! '\$?!7 M#B89F HC D 75D	5@ A -BI A '\$%) '\$D#H9	%	%
'	7 M#5FA !*L% !% @8B!56!75!F98! '\$?!GDI B @98 6F57?9H	GDI B '5@ A -BI A '\$\$**' "	%	%
(7 M#5FA !*L% !% @8B!56!75!F98! '\$?!GDI B 8C C F 6F57?9H	GDI B '5@ A -BI A '\$\$**' "	%	%
)	7 M#5FA !*L% !% @8B!56!75!F98! '\$?!GDI B 8C C F	GDI B '5@ A -BI A '\$\$**' "	%	%
*	7 M#5FA !*L% !% @8B!56!75!F98! '\$?!@98 F9. @7 HC F	5@ A -BI A '\$\$**' "	%	%
+	7 M#5FA !*L% !% @8B!56!75!F98! '\$?!7 C BB97 HC F 6CL HC D	5@ A -BI A '\$\$**' "	%	%
,	7 M#5FA !*L% !% @8B!56!75!F98! '\$?!7 C BB97 HC F 6CL 6CHCA	5@ A -BI A '\$\$**' "	%	%
-	7 M#5FA !*L% !% @8B!56!75!F98! '\$?!657?D#H9	5@ A -BI A '\$\$**' "	%	%
%\$	7 M#5FA !*L% !% @8B!56!75!F98! '\$?!: #9D#H9	5@ A -BI A '\$\$**' "	%	%
%0	7 M#5FA !*L% !% @8B!56!75!F98! '\$?!8F#9F 6F57?9H	5@ A -BI A '\$\$**' "	%	%
%&	7 M#5FA !*L% !% @8B!56!75!F98! '\$?!57FM#7	57 FM#7	%	%
%	7 C C @5B 7 97 D@, \$+!%\$%<95HG#?	<95HG#?	%	%
%(?H#8!&!!J!+\$!\$!5: (17 D	8F#9F	%	%
%+	5 HU @98SD7 BSB &\$\$\$!&\$K	@98	%	%

I B @9GC H: 9FK 69 GD97 ÷ 98.	B5A 9	85H9	
8-A 9BGC BG5F9 B -B7 <9G HC @F5B7 9G : F57 HC B5@± "\$\$' 5B: I @5F. A 57 <± "\$\$'" 69B8 ± HK C D@57 9897 A 5@± "\$\$% HF99D@57 9897 A 5@± "\$\$%	8F5K B		H#0.
	7 <97?98		
	9B: 5DDF"		
	A: : 5DDF"		7 M#5FA !*L% !% @8B!56!75!F98! '\$?
	E "5"		
BHFDF9H: 9CA 9F#7 HC @F5B7 B: D9F. A 5HF#5@	7 C A A 9BHG		
			G#9 8K ; "'BC "
			F9J
			5 H7 ?9H&' *%*
			G7 5 @. %+ K 9 ÷ <H'
			G<99H% C: '%%

EVERGREEN LIGHTING

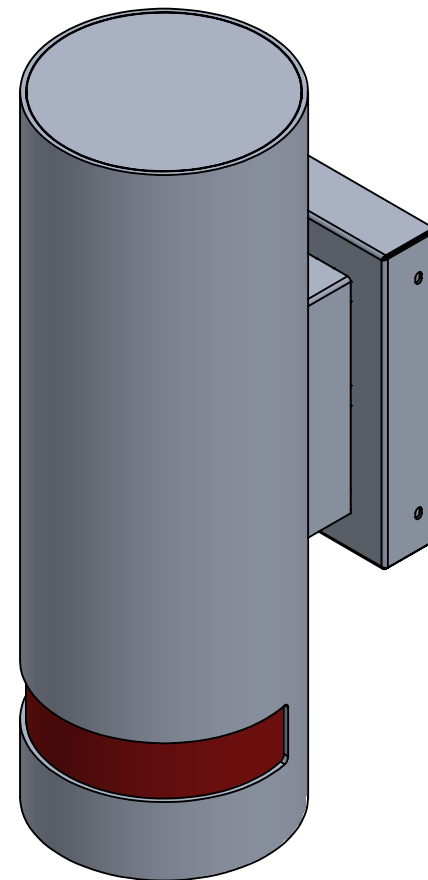
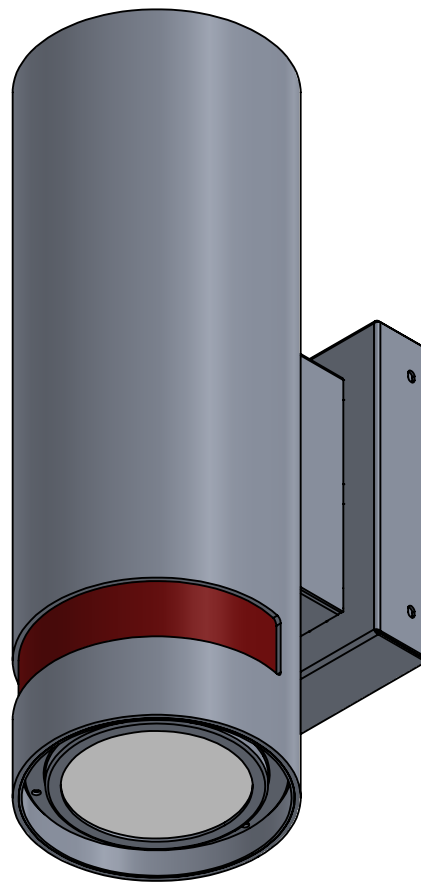
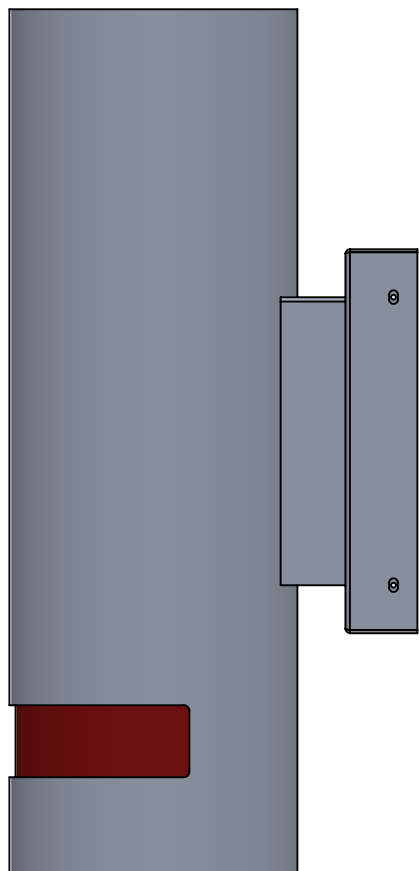
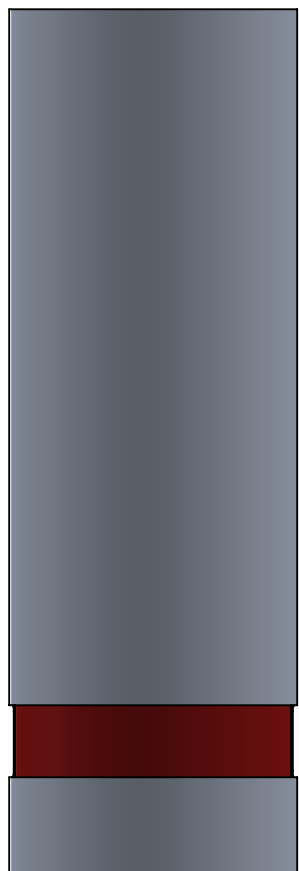
5 @69B8 F58 ± G "\$ \$"

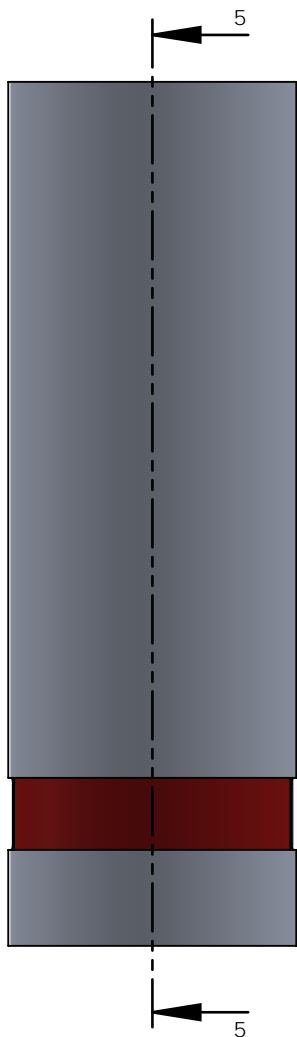
5DD@7 5HC B

8C BCHG7 5 @98F5K B:

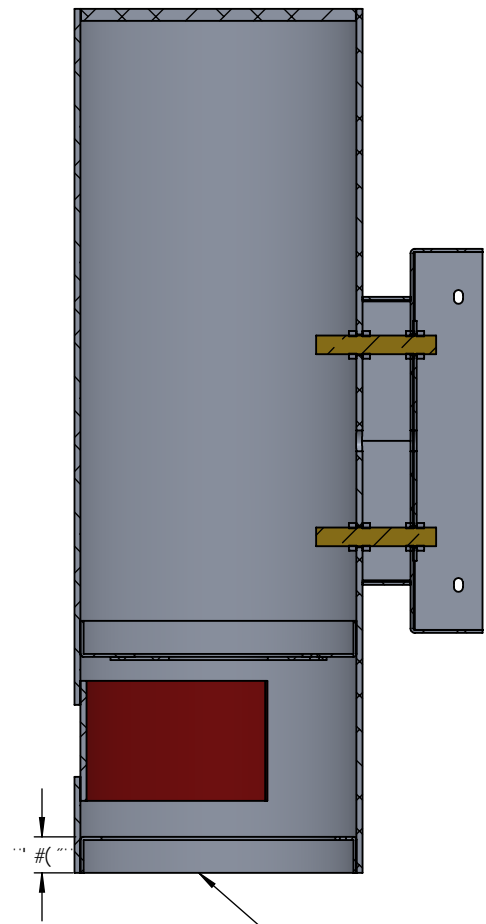
: B <



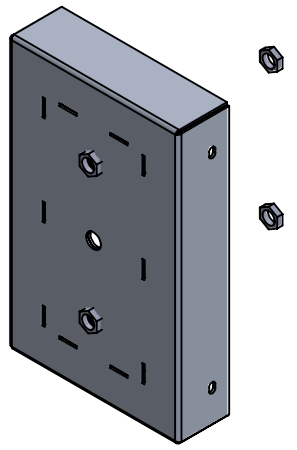
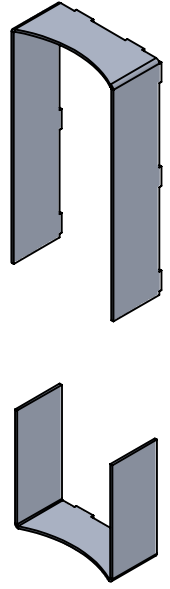
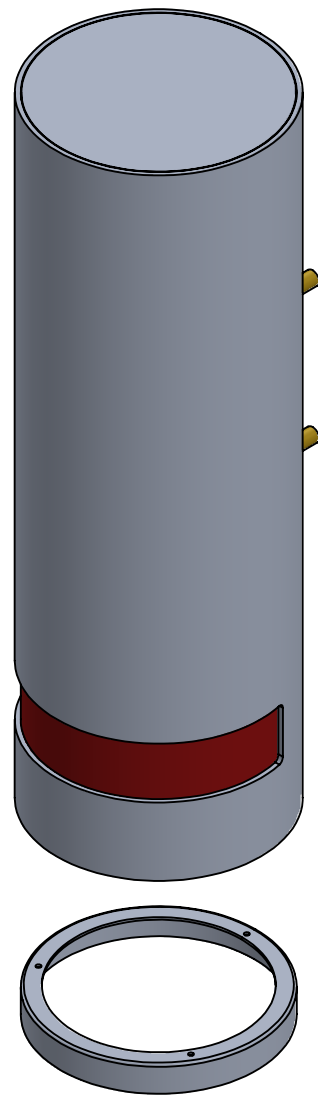


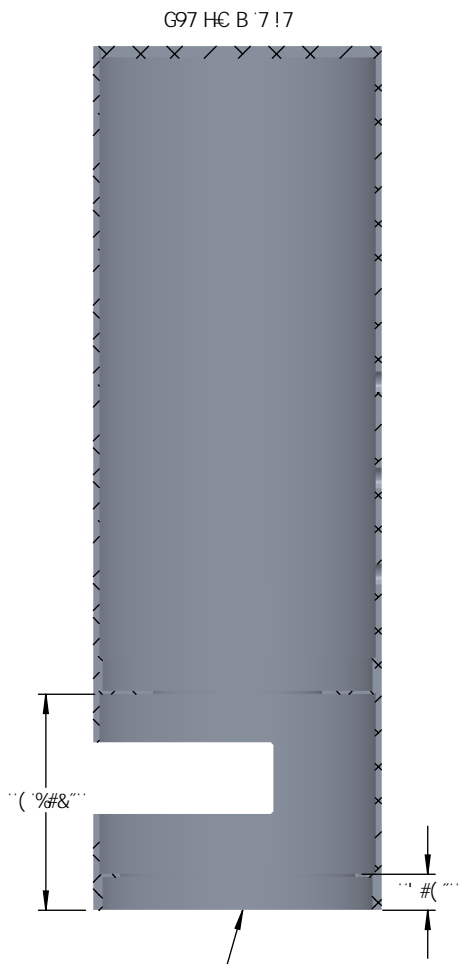
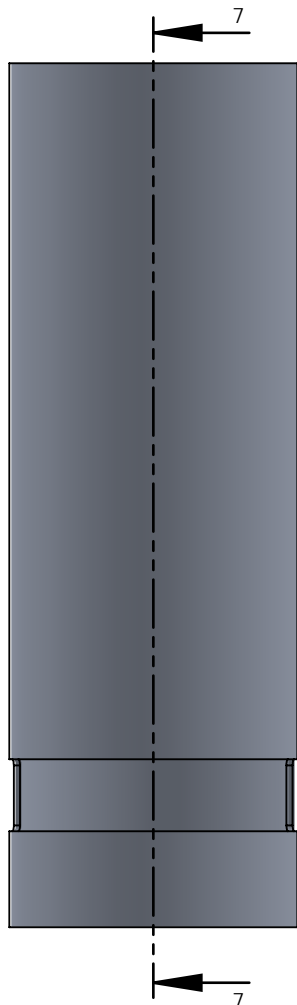


G97 HC B 515

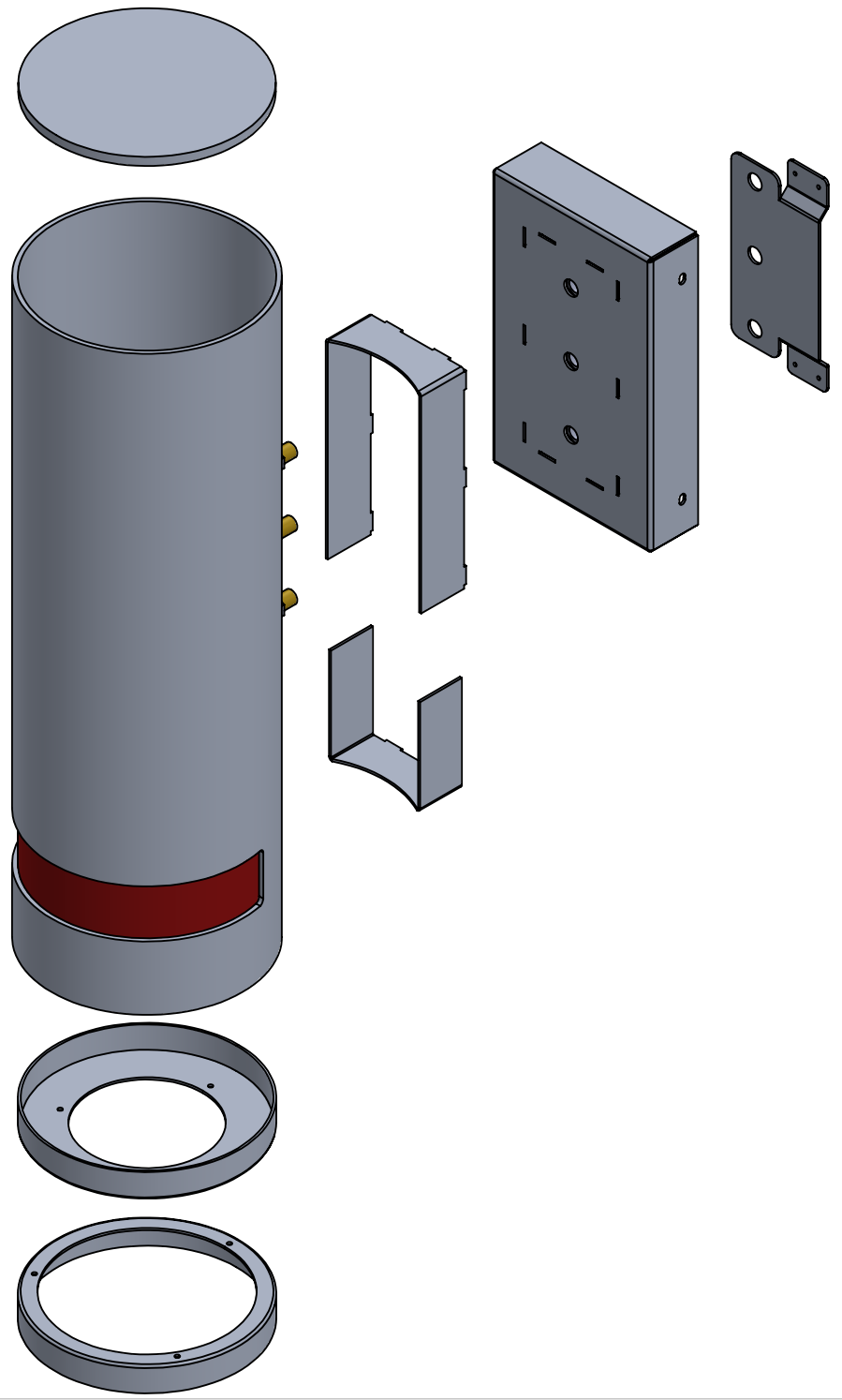


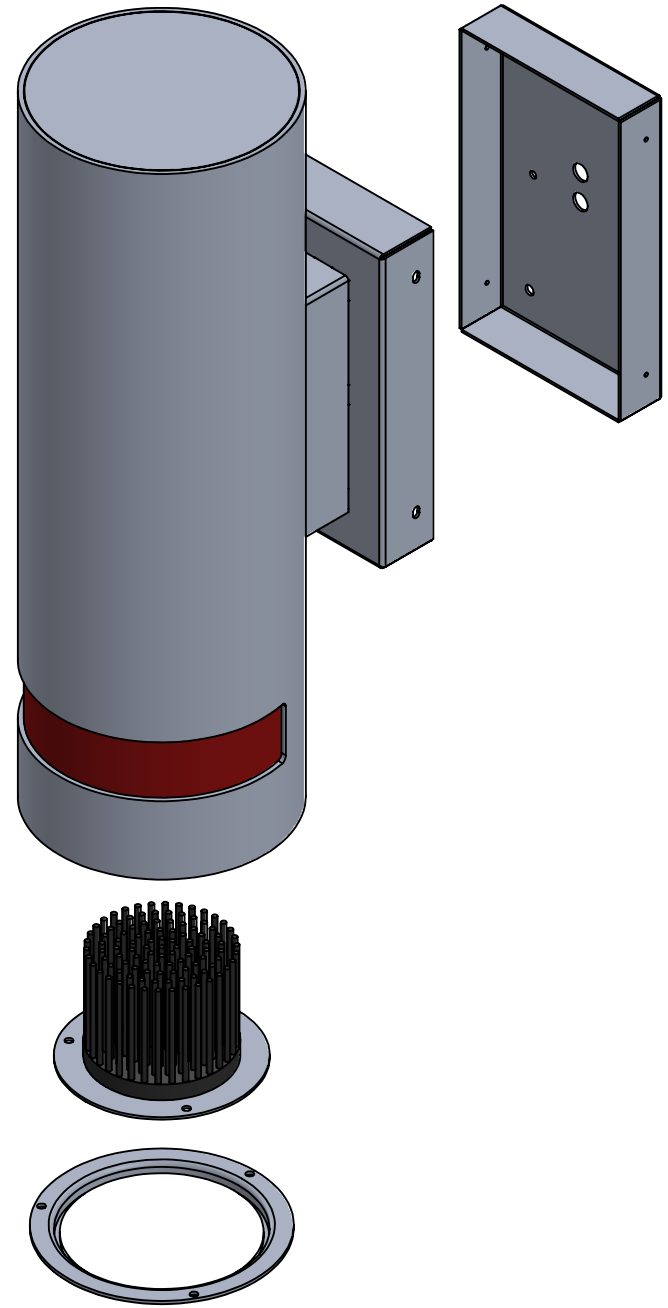
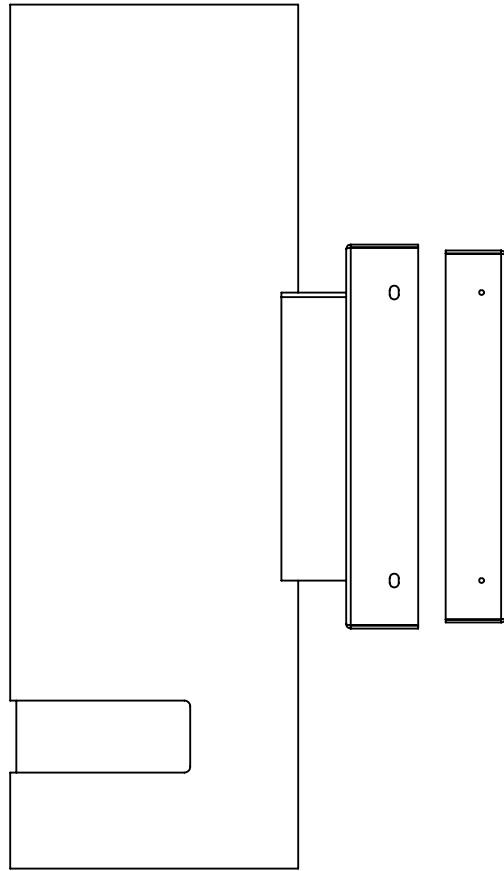
6F57?9HF9; F9GG98" #("BHC"
7M@B89F'6C 8M

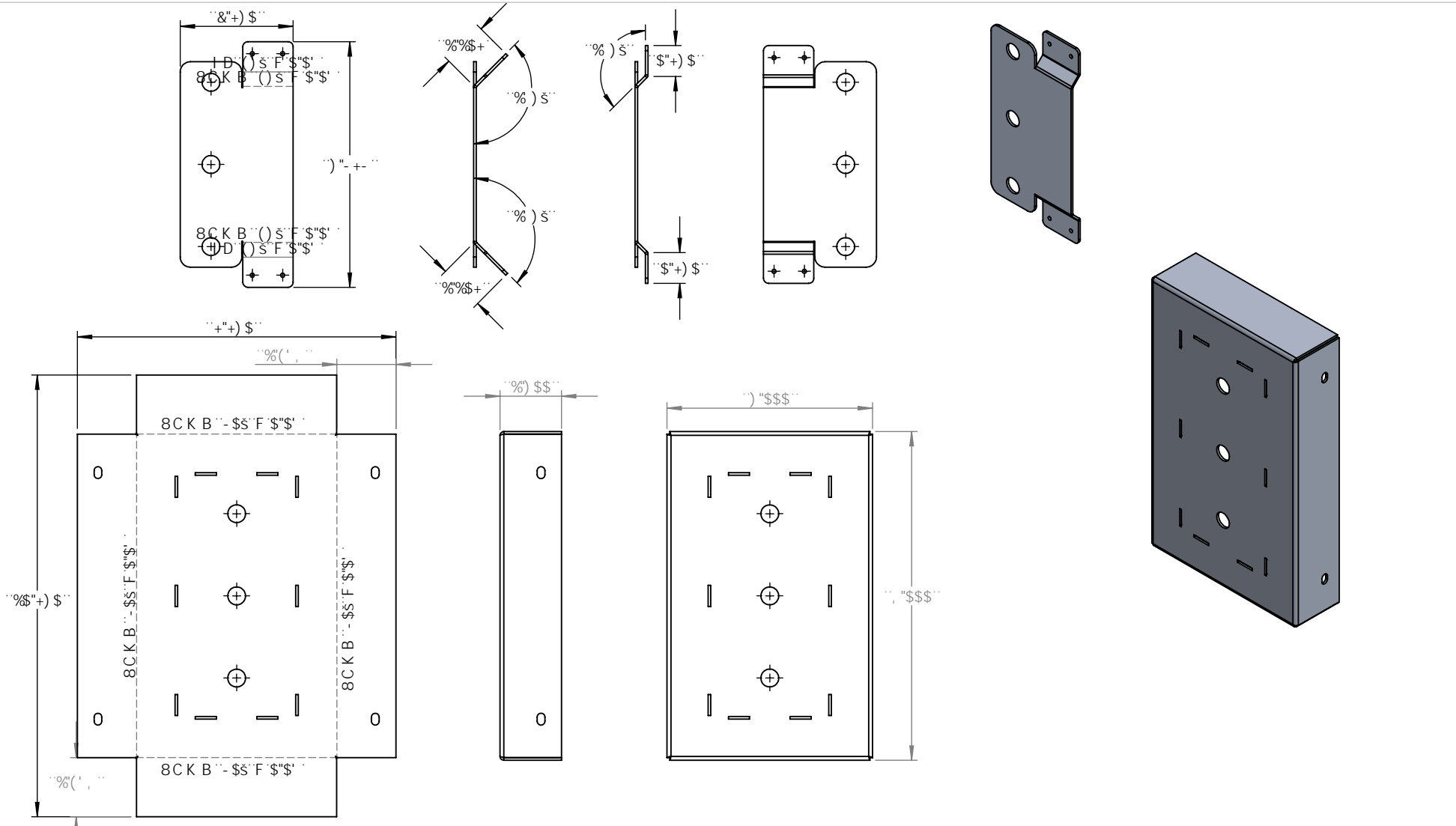




6F57?9HF9; F9GG98" #("BHC"
 7M@B89F'6C8M

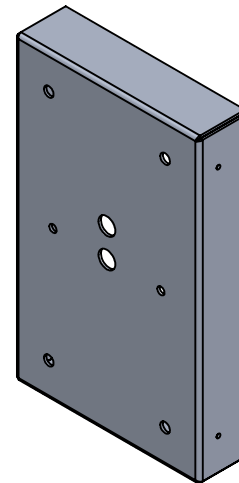
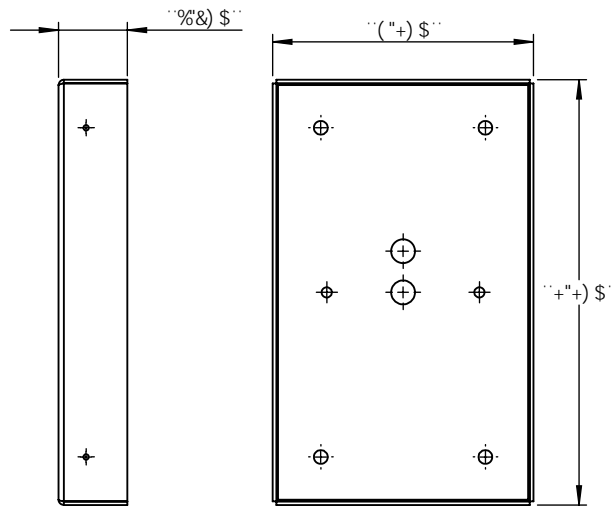
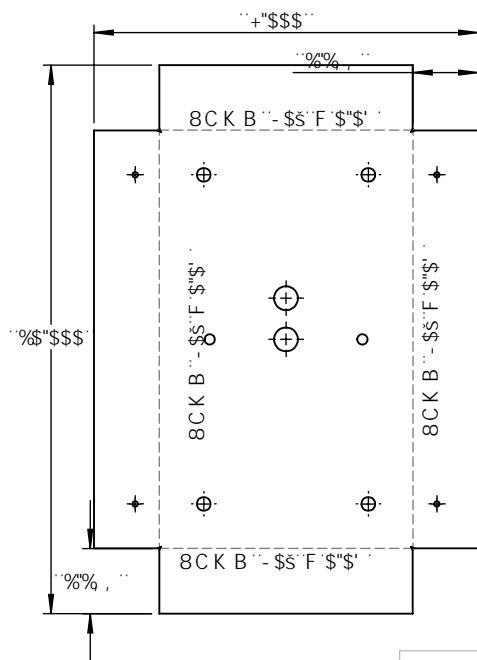






DFC DF-96FM5B87CB: 89BH5@
 H-9-B: CFA 5HC B 7 C BH5 B98 B H-6
 8F5K B: 6H-9GC @DFC D9F HMC:
 OB 9FH7 CA D5BMB5A 9<9F92" 5BM
 F9DFC 81 7 HC B -B D5FHC F 5G5 K <C @
 K H-C1 Hk 9K F H98 D9FA 6GC B C:
 OB 9FH7 CA D5BMB5A 9<9F92 6
 DFC <6H98"

		I B @GGC H: 9FK 69 GD97 ÷ 98.	B5A 9	85H9	5 @ A B I A '\$\$*') "
		8 A 9BG C BG5F9 B -B7 <9G HC @F5B7 9G : F57 HC B5 @± 5B: I @5F: A 57 <± 69B8 ± HK C D @57 9897 A 5 @± HK F99D @57 9897 A 5 @±	8F5K B		H# @.
		B H9F DF 9H: 9C A 9FF 7 HC @F5B7 B: D9F.	7 <97 998		7 M @5FA !*L % !% @8B!56!7 5!F98! '\$?
		A 5H9F 5@	9B: 5DDF"		
		: B 6<	A: : 5DDF"		
B9LH5GGM	I G98 C B		E "5"		
		8C B CHG7 5 @98F5K B:	7 C A A 9BHG		
	5DD@7 5HC B				G A9 8K ; "'BC"
					F9J
					G7 5 @. % ' ") K 9 ÷ <H'
					G<99H* ' C: '%%



DFC DF-96FM5B87CB: 89BH5@
 H-9-B: CFA 5HC B 7 C B H5 B 98 B H-6
 8F5K B: 6H-9GC @DFC D9F HMC:
 OB 9FH7 CA D5BMB5A 9<9F92" 5BM
 F9DFC 81 7HC B-B D5FHCF 5G5 K <C @
 K H-C I H-9K F H9B D9FA GGC B C:
 OB 9FH7 CA D5BMB5A 9<9F92 G
 DFC <6H98"

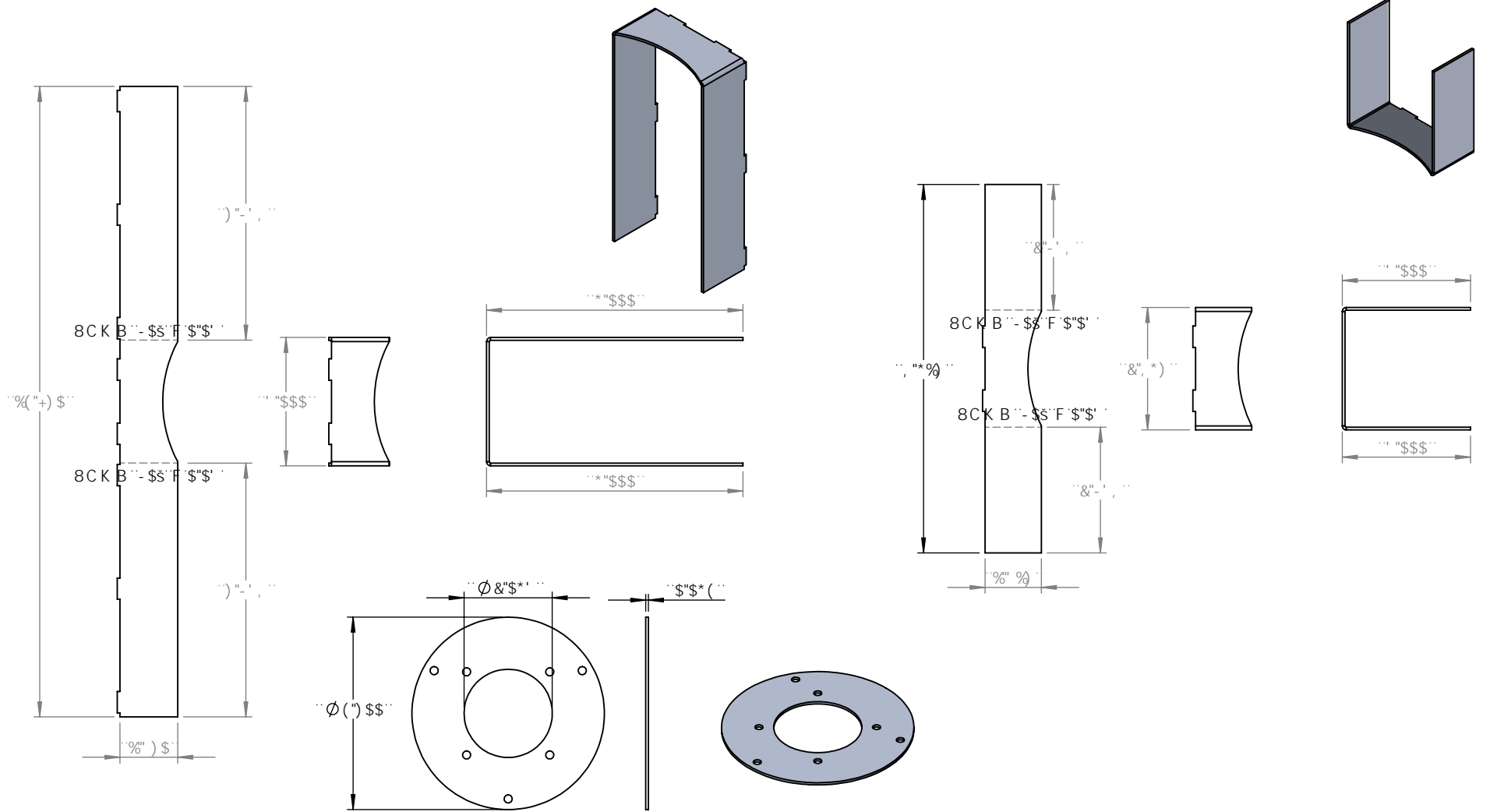
		I B @GGCH: 9FK 69 GD97 ÷ 98.	B5A 9	85H9	5 @ A B I A '\$\$*') "
		8 A 9BG C BG5F9 B B7 < 9G HC @F5B7 9G ; F57 HC B5 @± 5B: I @F: A 57 < ± 69B 8 ± HK C D @57 9897 A 5 @ ± ± H: F99D @57 9897 A 5 @ ±	8F5K B		H # @.
		B H9F DF 9H: 9C A 9F 7 HC @F5B7 B: D9F.	7 < 97 ? 98		7 M @ 5FA ! * L % ! % @ 8B ! 56 ! 7 5 ! F 98 ! ' \$?
		A 5 H9F 5 @	9B: 5 DDF "		
		: B @ <	A :: 5 DDF "		
B9LH5GGM	I G98 C B		E " 5 "		
		8C B CHG7 5 @ 8F5K B:	7 C A A 9BHG		
5DD @ 7 5HC B					G A 9 8K ; " " BC " F9J
					G7 5 @ . % ' ") K 9 ÷ < H ' G < 99H + ' C : ' % %

)

(

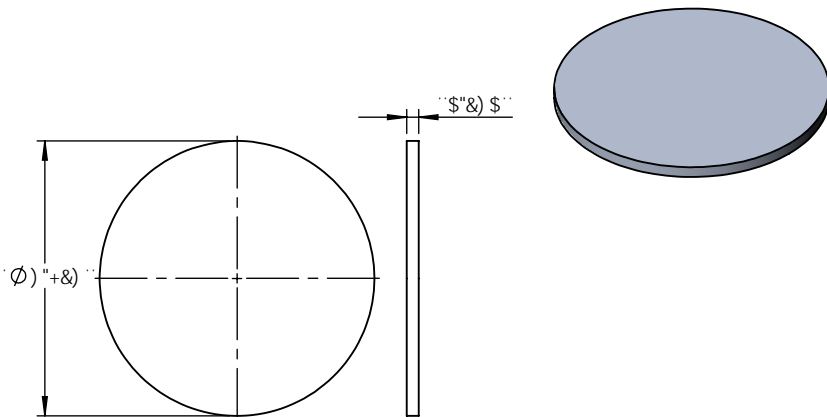
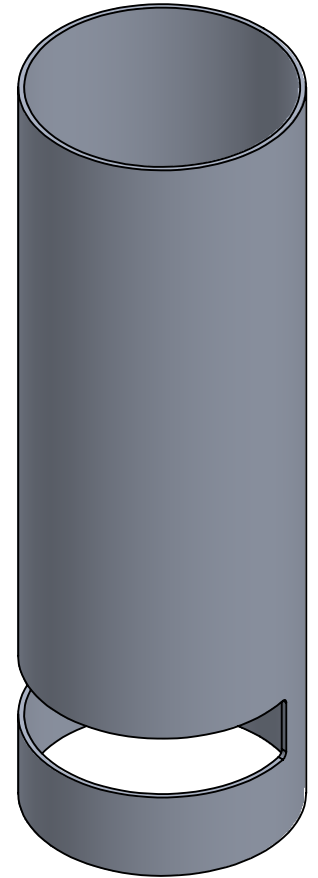
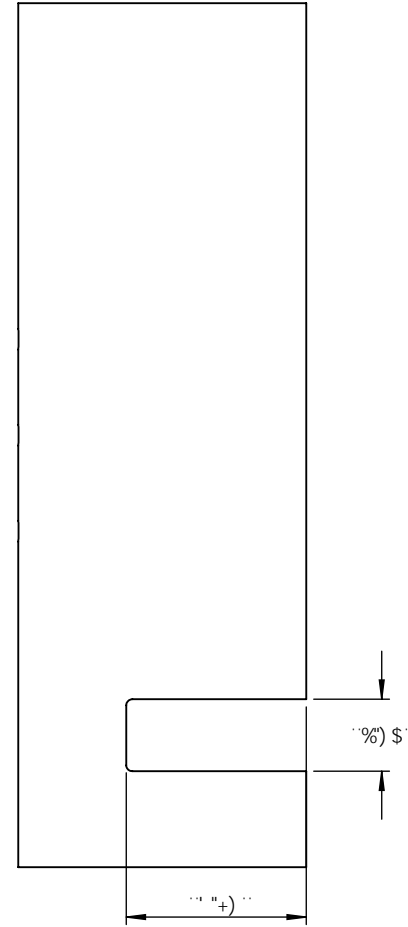
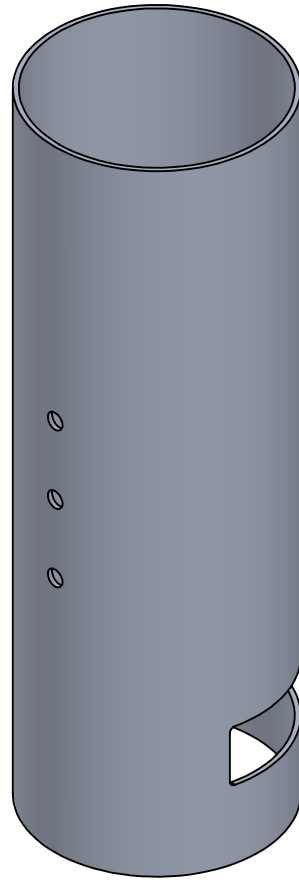
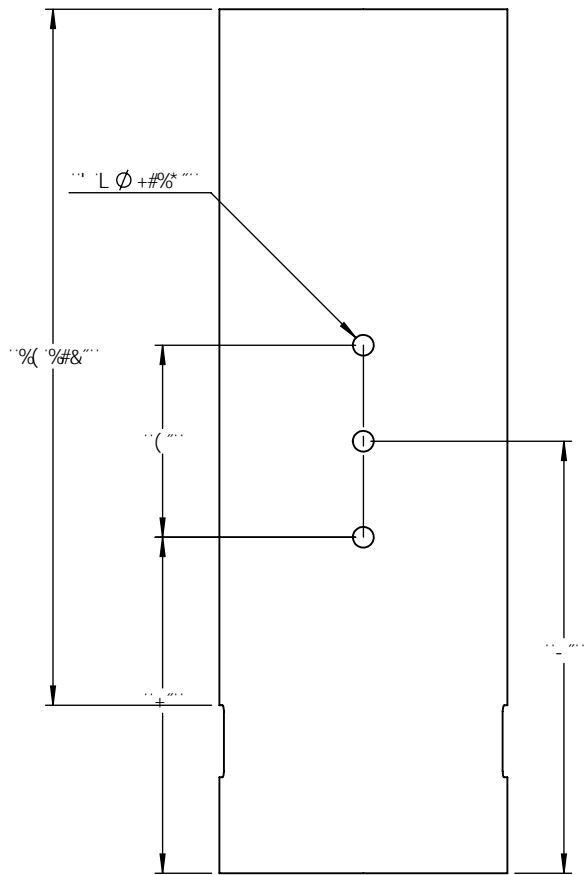
&

%



DFC DF-96FM5B87CB: 8B8H5@
 H-9-B: CFA 5HC B 7 C B H5 B 98 B H-6
 8F5K B: 6H-9GC @DFC D9F HMC:
 O B 9F H7 C A D5BMB5A 9 < 9F 92" 5BM
 F9DFC 81 7 HC B -B D5FHCF 5G5 K < C @
 K H-C1 H H-9K F H 9B D9FA 6GC B C:
 O B 9F H7 C A D5BMB5A 9 < 9F 92 6
 DFC < 6 H 98"

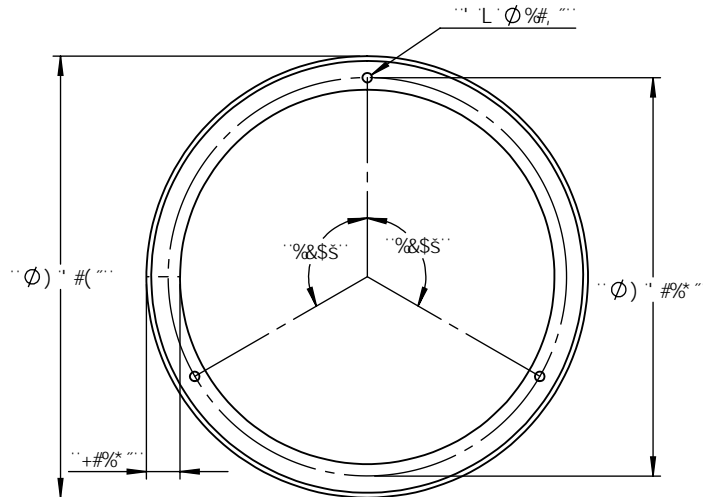
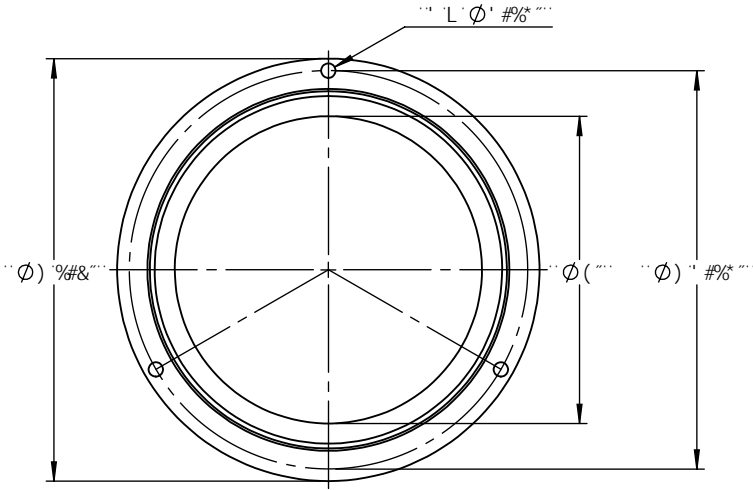
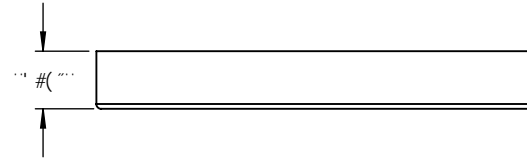
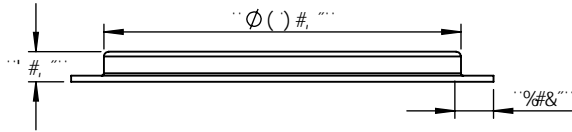
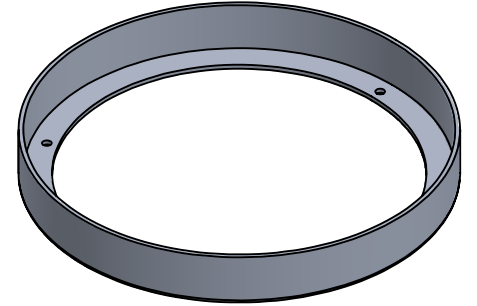
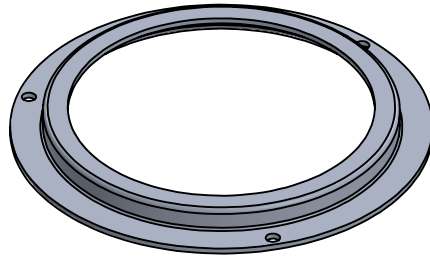
		I B @GGC H: 9FK 69 GD97 ÷ 98.		B5A 9	85H9	5 @ A B I A '\$\$*') "	
		8 A 9BGC BG5F9 B B7 < 9G HC @F 5B7 9G ; F57 HC B5 @± 5B: I @F: A 57 < ± 69B 8 ± HK C D @5 7 9 8 97 A 5 @ ± H: F99 D @5 7 9 8 97 A 5 @ ±	8F5K B 7 < 97 ? 98 9B: 5DDF" A: ; 5DDF"			H @.	
		B H F D F 9H: 9C A 9F 7 HC @F 5B7 B: D9F. A 5 H F 5 @	E "5" 7 C A A 9BHG			7 M @ 5FA ! * L % ! % @ 8B ! 5 6 ! 7 5 ! F 98 ! ' \$?	
B9LH5GGM	I G98 C B	: B 6 <				G A 9 5 8K ; "BC"	F9J
5DD @ 7 5HC B		8C B CHG 7 5 @ 8F5K B:				G 7 5 @ . % ' ") K 9 ÷ < H'	G < 99H , ' C : % %



I B @GGCH:9FK 69GD97 ÷ 98.	B5A 9	85H9	* "5@ A B I A 7 M @ B 8 9 F
8 A 9BG C BG5F9 B B7 < 9G HC @F5B7 9G : F57 HC B5 @± 5B: I @F: A 57 < ± 69B 8 ± HK C D @57 9897 A 5 @ ± HK F99D @57 9897 A 5 @ ±	8F5K B		H # @.
	7 < 97 ? 98		7 M @ 5 F A ! * L % ! % @ 8 B ! 5 6 ! 7 5 ! F 9 8 ! ' \$?
	9B: 5DDF"		
	A: 5DDF"		
	E "5"		
B H F D F 9H: 9C A 9 F 7 HC @F5B7 B: D9F.	7 C A A 9 B H G		
A 5 H F 5 @			G A 9 8 K ; " " B C " F 9 J
: B 6 <			5
8 C B C H G 7 5 @ 9 8 F 5 K B:			G 7 5 @ . % (K 9 ÷ < H ' G < 9 9 H - ' C : ' % %

#DA BC "	D5FHBI A 69F	8 9G7 F DHC B	E HM
%	7 M#5FA !*L% !% @8B!56!7 5!F98! '\$?!QDI B '8CCF	GDI B '5@ A -BI A '\$\$*') "	%

#DA BC "	D5FHBI A 69F	8 9G7 F DHC B	E HM
%	7 M#5FA !*L% !% @8B!56!7 5!F98! '\$?!QDI B '8CCF	GDI B '5@ A -BI A '\$\$*') "	%



D5FHBI A 69F
 H: 9 B: CFA 5HC B 7 CBI5 B98 B H: 6
 8F5K B: 6H: 9GC @DFC D9FHVC:
 OBG9FH7 CA D5BMB5A 9<9F92" 5BM
 F9DFC 81 7HC B -B D5FHCF 5G5 K <C @
 K H: C1 H: 9K F H9B D9FA 6GC B C:
 OBG9FH7 CA D5BMB5A 9<9F92 G
 DFC <6#98"

		I B @GGC H: 9FK 69 GD97 ÷ 98.		B5A 9	85H9	GDI B '5@ A -BI A '\$\$*') "		
		8 A 9BG C BG5F9 B -B7 <9G HC @F5B7 9G ; F57 HC B5 @± 5B: I @F: A 57 <± 69B8 ± HK C D @5 7 9 8 97 A 5 @± H: F99D @5 7 9 8 97 A 5 @±	8F5K B 7 <97 ?98 9B: 5DDF" A: ; 5DDF"			H# @.		
		B H9F DF 9H: 9C A 9F 7 HC @F5B7 B: D9F. A 5H9F 5 @	E "5" 7 C A A 9BHG			7 M#5FA !*L% !% @8B!56!7 5!F98! '\$?		
B9LH5GGM	I G98 C B	: B @<				G# 9	8K ; "BC"	F9J
	5DD @7 5HC B	8C B CHG7 5 @9 8F5K B:				G7 5 @. %&") K 9 ÷ <H'		G<99H%\$ C: %%

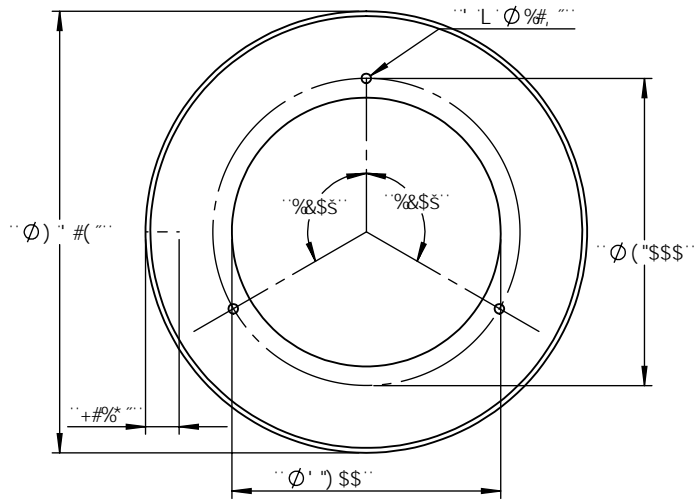
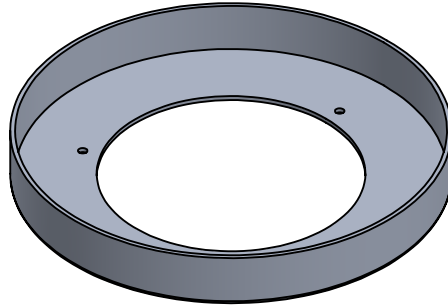
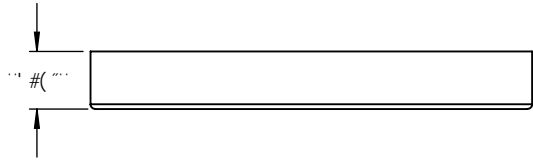
)

(

&

%

#PA 'BC "	D5FHBI A 69F	8 9G7 F DHC B	E HM
%	7 M@5FA !*L% !% @8B!56!7 5!F98!' \$?!GDI B @98 '6F57 ?9H	GDI B '5@ A BI A '\$\$*')"	%



DFC DF 9 5FM5B8 7 CB: 8 9B H5 @
 H: 9 B: CFA 5HC B 7 C B H5 B 98 B H: 6
 8F5K B: 6H: 9GC @DFC D9F HMC:
 OBG9FH7 CA D5BMB5A 9 < 9F92" 5BM
 F9DFC 81 7 HC B B D5FHCF 5G5 K < C @
 K H: C1 H: 9K F H9B D9FA 6GC B C:
 OBG9FH7 CA D5BMB5A 9 < 9F92 G
 DFC < 6H98"

		I B @GGCH: 9FK 69 GD97 ÷ 98.		B5A 9	85H9	GDI B '5@ A BI A '\$\$*')"	
		8 A 9BG C BG5F9 B B7 < 9G HC @F5B7 9G : F57 HC B5 @± 5B: I @F: A 57 < ± 69B8 ± HK C D @57 9897 A 5 @ ± HK F99D @57 9897 A 5 @ ±	8F5K B 7 < 97 ?98 9B: 5DDF" A: 5DDF"			H#@.	
		B H9F DF 9H: 9C A 9F 7 HC @F5B7 B: D9F. A 5H9F 5 @	E "5" 7 C A A 9BHG			7 M@5FA !*L% !% @8B!56!7 5!F98!' \$?	
B9LH5GGM	I G98 C B	: B 6<				G A 9 5	8K ; "'BC " F9J
5DD@7 5HC B	8C B CHG7 5 @ 8F5K B:					G7 5 @. '%&") K 9 ÷ < H'	G < 99H % % C : '%%