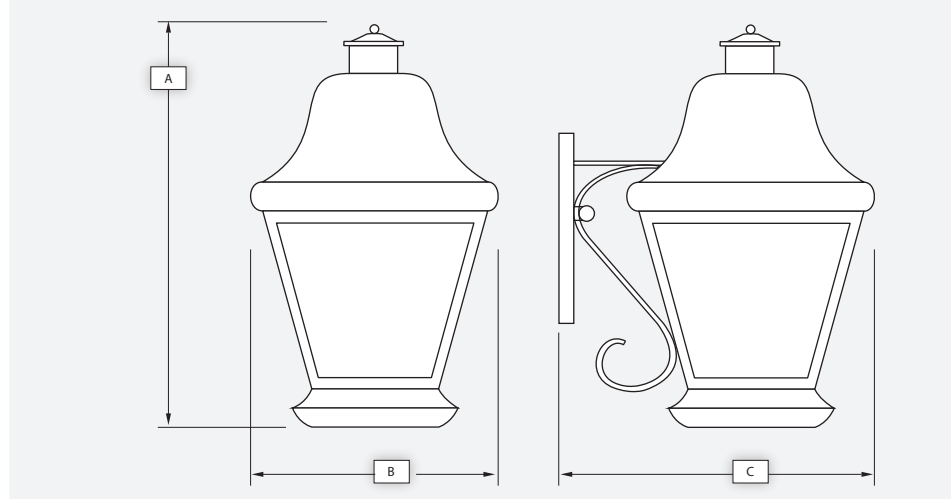




PALERMO

Catalog #		Type
Project		
Description		Date

ARM MOUNT



Standard Features

Material
Paintlok sheet; Standard Powdercoat Finish, White Acrylic Lens; .125 thickness, ETL Wet Location.

Installation
Mounting/wireway hole in center of backplate. Supplied with standard mounting hardware to mount to a 4" J-box or plaster ring.

Optics*
Contact Evergreen Lighting for complete photometrics.

LED Features

LED
Alta LED #AL-R-1W-30LED array to be mounted onto an Aluminum MPCB Board configured to the proper wattage. The LED arrays will be centered within the Lens area and mounted on a white aluminum reflective plate.

Driver

Specific Drivers will be matched with each different LED array configuration/wattage. Standard Driver Features:

- Constant Current
- 3 / 5 year warranty
- 120/277 multi-voltage power supplies
- Kelvin - 2700K, 3000K, 3500K, 4100K, 5000K

Fluorescent Features

Ballast

SC programmed electronic high power factor ballast, multivoltage 120V/277V. Lamps not included

Finishes

Ballast

- | | |
|---------------------------|-----------------------------|
| Architectural Bronze (AB) | Textured Gold (TG) |
| Textured Bronze (TBR) | Metallic Nickel (MN) |
| Matte Black (MBK) | Textured Verde Patina (TVP) |
| Semi Gloss Black (GBK) | Satin Brass (SB) |
| Textured Black (TBK) | Copper Vein (CV) |
| Textured Rust (TR) | Gold Vein (GV) |
| Matte White (MW) | Silver Vein (SV) |
| Textured White (TW) | Chrome (CH) |
| Gloss White (GW) | Oil Rubbed Bronze (ORB) |
| Metallic Grey (MG) | |

Options*

- Emergency (EMR)
- Vandal Proof Enclosure (VPE)
- Photocell (PC)
- Lamp Sources
- Size Modifications
- Special Lens

Sample Spec Number: PAL2103Q-AB-A

Part #	Lamp/Watts	Lumens	A	B	C
PAL2110L-ORB-WF-30K			Palermo Arm mount		
	10 watts LED - 3000K				
	120/277 volt power supply				
	Oil Rubbed Bronze				
	White Frosted acrylic				
	17 3/4" x 9" 11"				
	Wet location				

MADE IN CALIFORNIA

