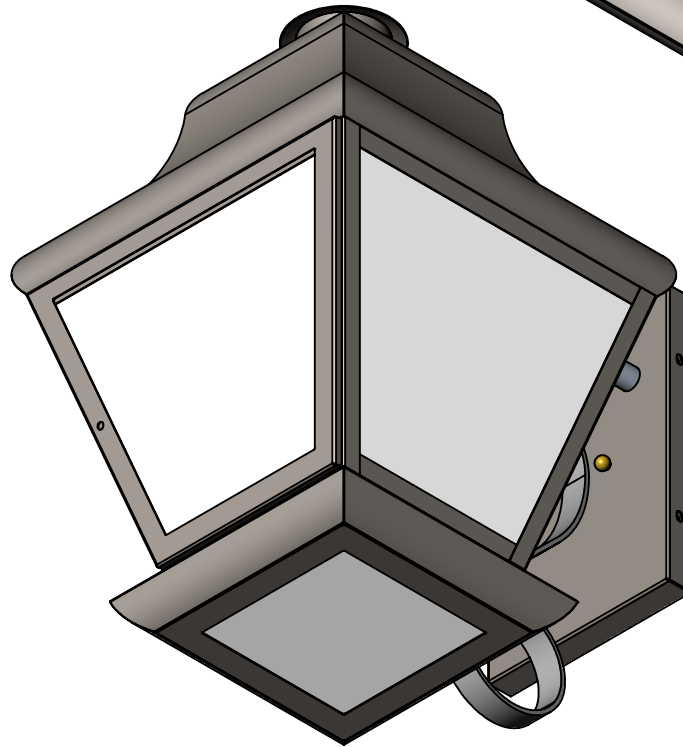
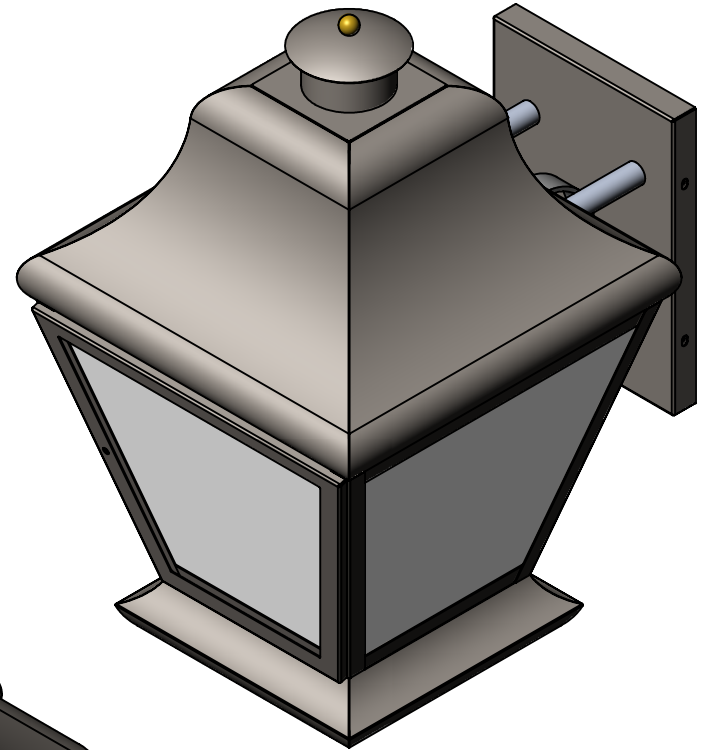
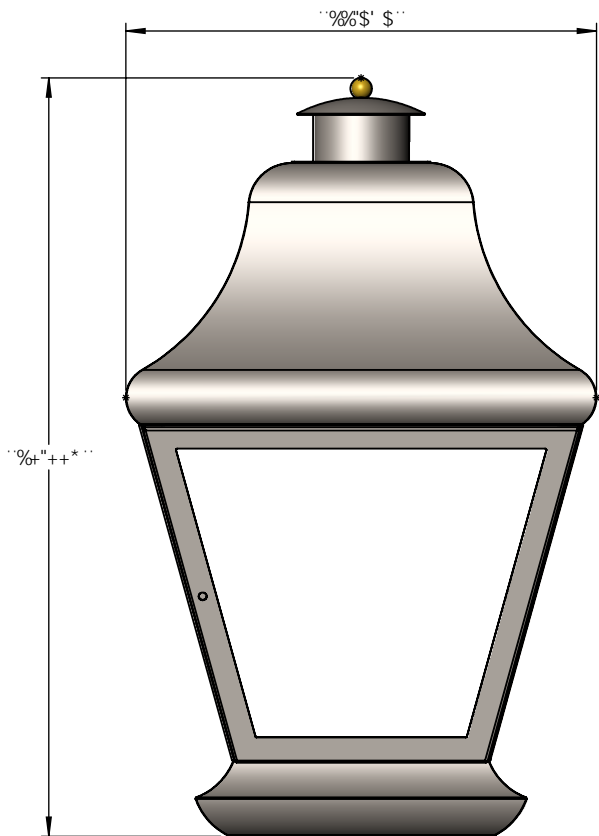
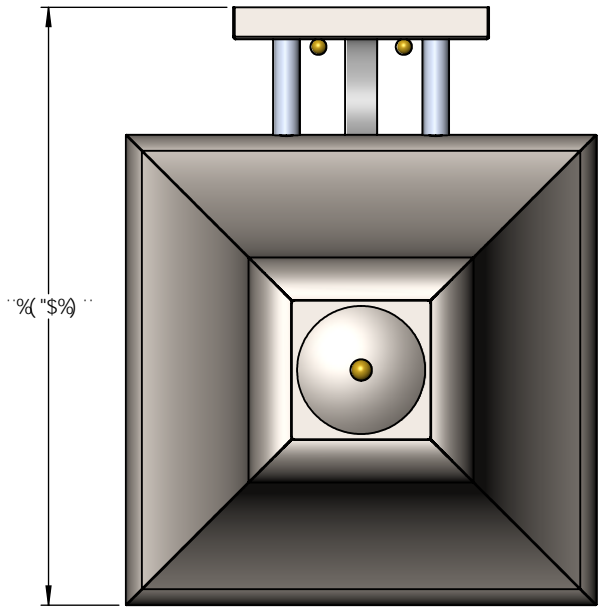
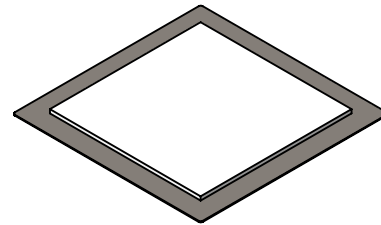
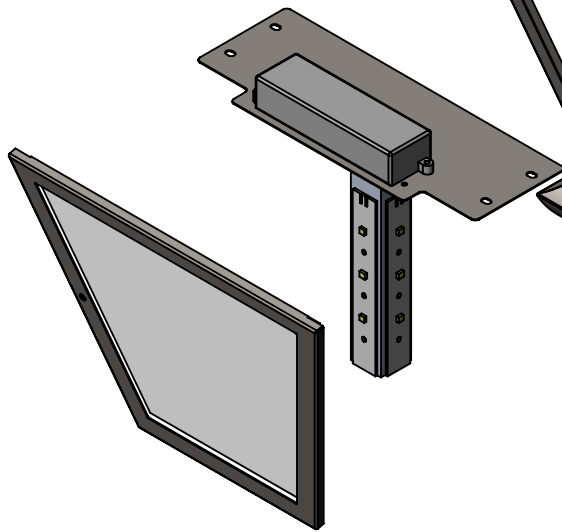
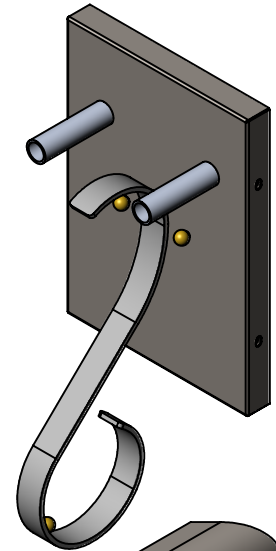
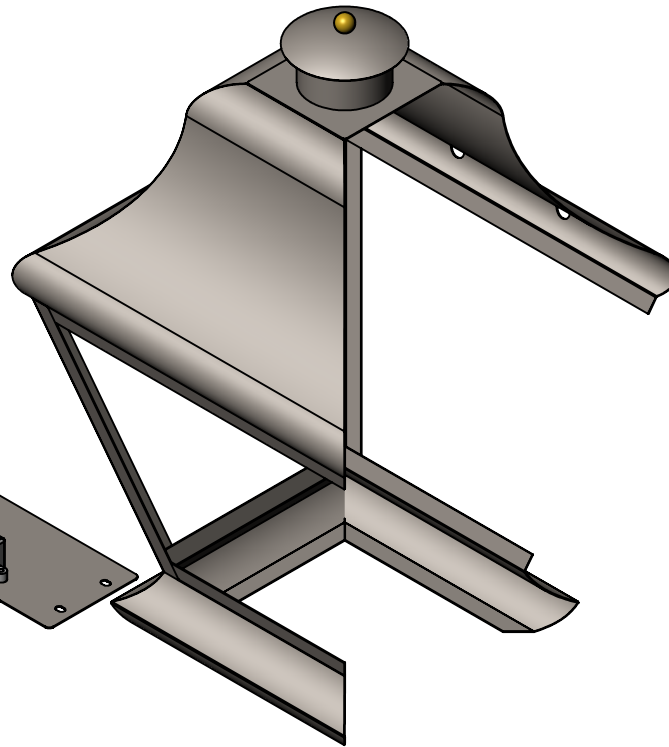
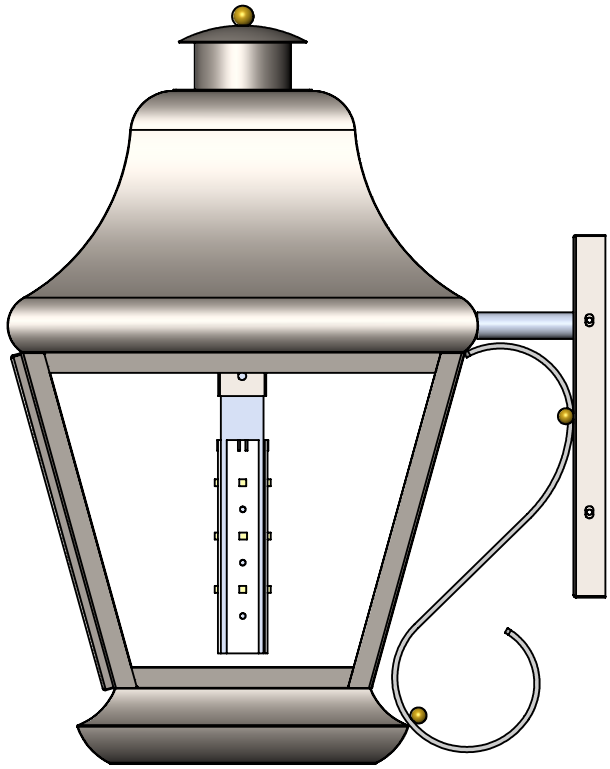
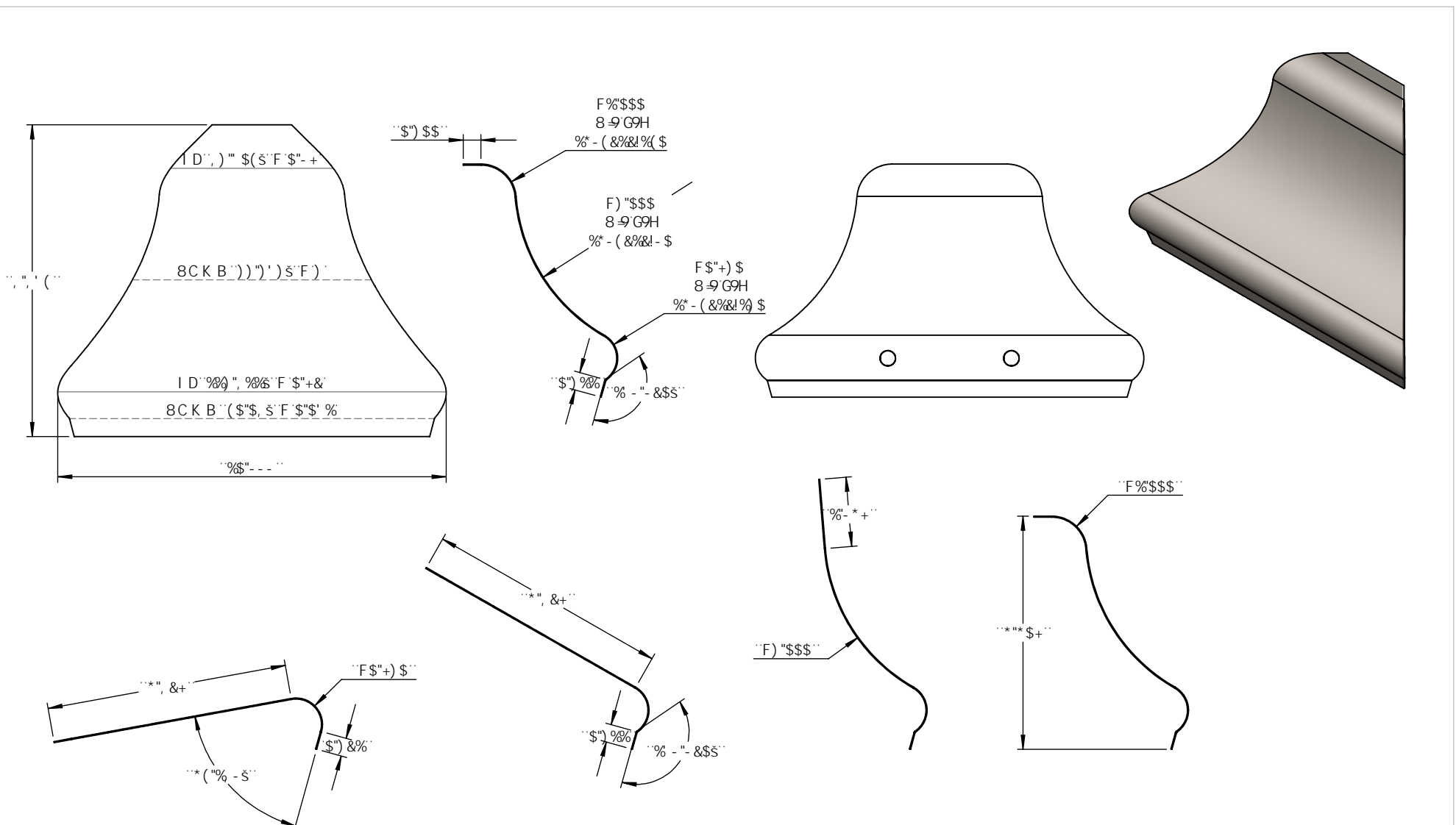


I B @GGC H: 9FK 69 GD97 ÷ 98.		B5A 9	85H9	: £ H F9 < 958
8 A 9BG C BG5F9 B B7 < 9G HC @F5B7 9G : F57 HC B5 @± "\$\$" 5B: I @5F: A 57 < ± "\$\$"" 69B8 ± HK C D@57 9897 A 5 @±" H: F99D@57 9897 A 5 @± "\$\$%"	8F5K B 7 < 97 ? 98 9B: 5DDF" A: : 5DDF"			H#@.
BH@FDF9H: 9CA 9FF 7 HC @F5B7 B: D9F. A 5H@F 5@	E "5" 7 C A A 9BHG			D5 @%\$@C F6!K : !' \$?
: B 6<				G#9 8K ; ""BC" 5 H7 ? 9H&' * +- F9J
5 @69B8 F58 ÷ G "\$' \$"				G7 5 @. % + K 9 ÷ < H' G < 99H % C : % (
5DD@7 5HC B	8C B CHG7 5 @98F5K B:			

) (' & %







DFC DF-5FM5B87CB: 89BH5@
 H:9 B: CFA 5HC B 7C B15 B98 B H:6
 8F5K B: 6H:9GC @DFC D9F HVC:
 OB G9FH7 CA D5BMB 5A 9<9F92" 5BM
 F9DFC 81 7HC B-B D5FHCF 5G5 K <C @
 K H:C1 H:K 9K F H9B D9FA 6GC B C:
 OB G9FH7 CA D5BMB 5A 9<9F92 6
 DFC <6H98"

		I B @GGC H:9FK 69 GD97 ÷ 98.		B5A 9	85H9
		8A 9BG C BG5F9 B B7 <9G HC @F 5B7 9G : F57 HC B5 @± 5B: I @F: A 57 <±69B8 ± HK C D@5 7 9897 A 5@± H: F99D @5 7 9897 A 5@±	8F5K B		
		B H9F DF 9H: 9C A 9FF 7 HC @F 5B7 B: D9F.	7 <97 ?98		
		A 5H9F 5@	9B: 5DDF"		
			A: : 5DDF"		
			E "5"		
			7 C A A 9BHG		
B9LH5GGM	I G98 C B	: B 6<			
	5DD@7 5HC B	8C B CHG 75 @9 8F5K B:			

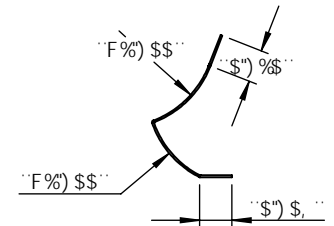
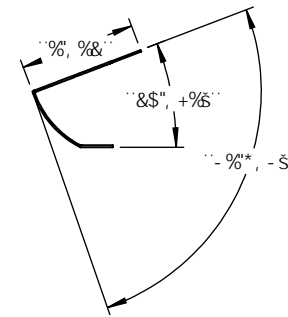
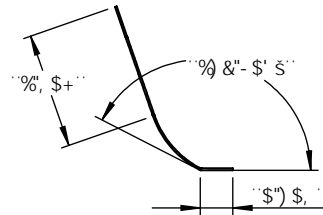
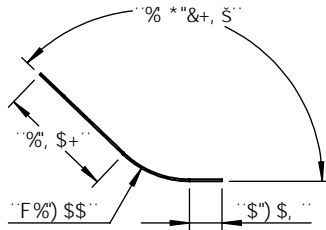
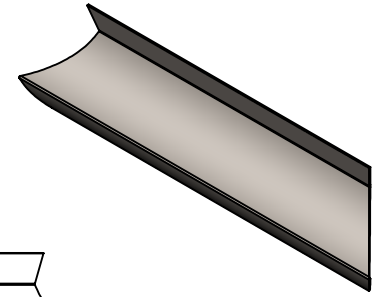
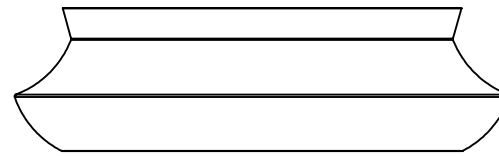
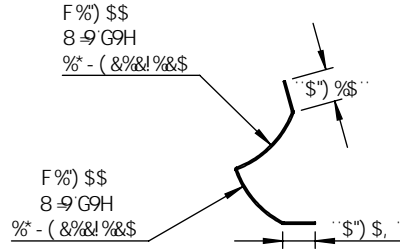
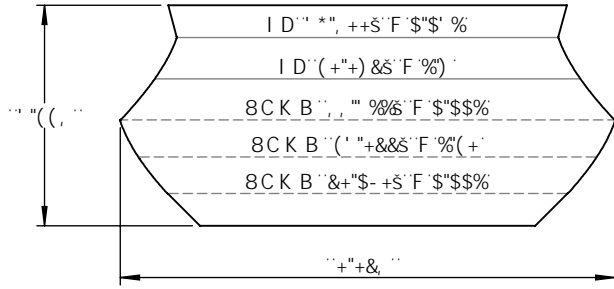
&&; 51; 9		
H#@.		
D5 @%%\$@C F 6!K :!' \$?		
G#9	8K; ""BC"	F9J
5		
G7 5 @. % (K 9 ÷ <H'	G<99H) 'C: % (

)

(

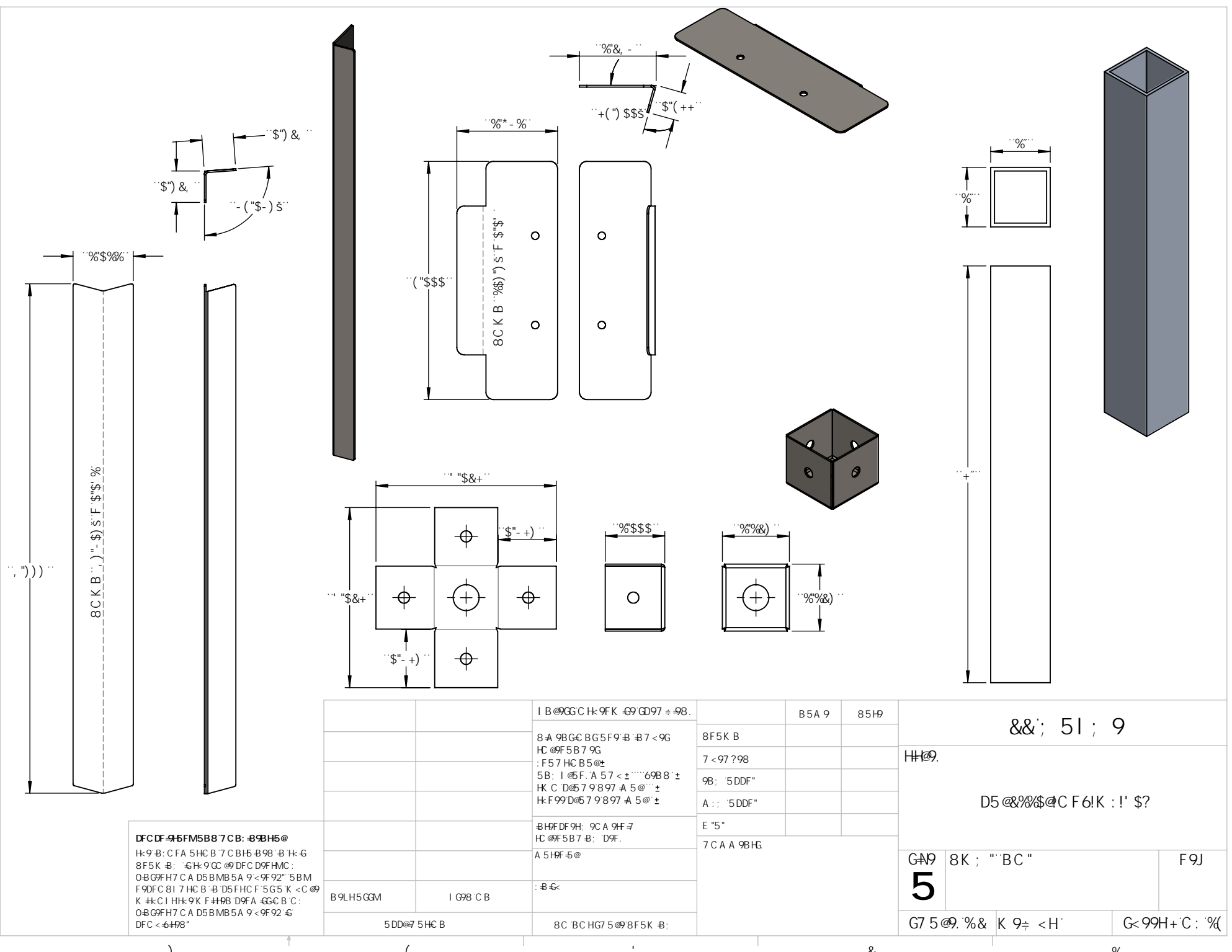
&

%



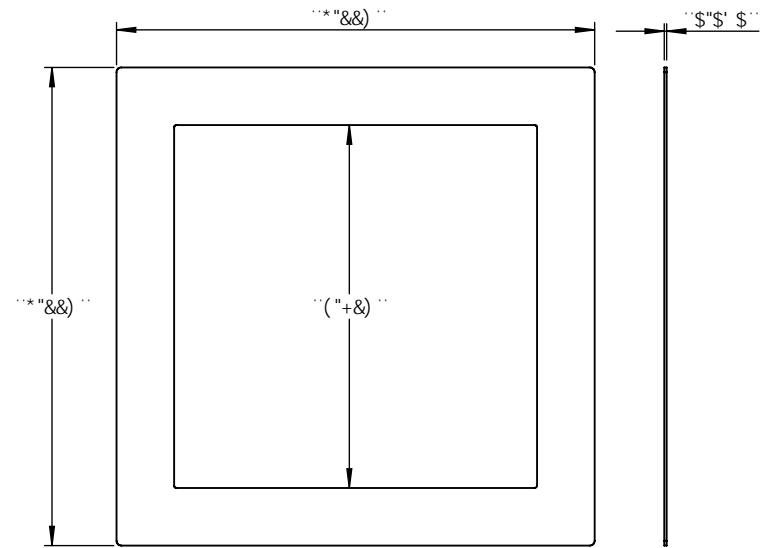
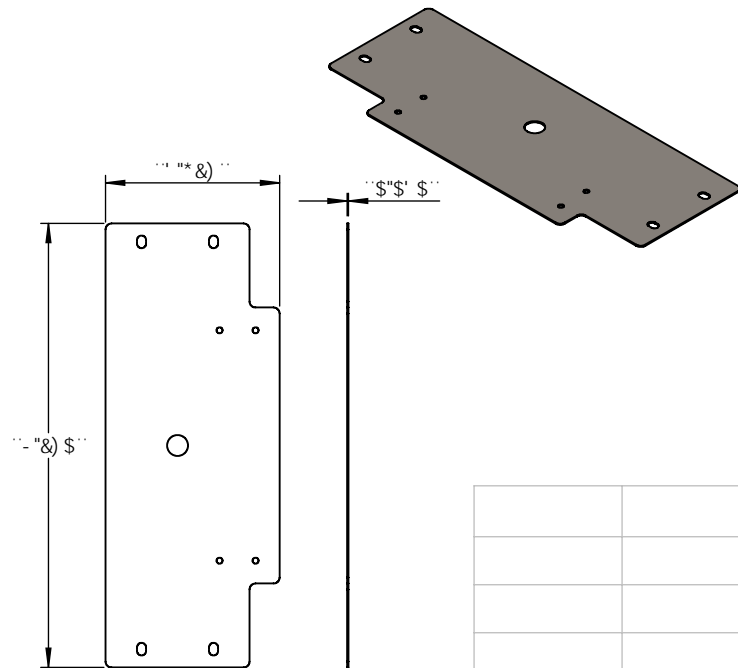
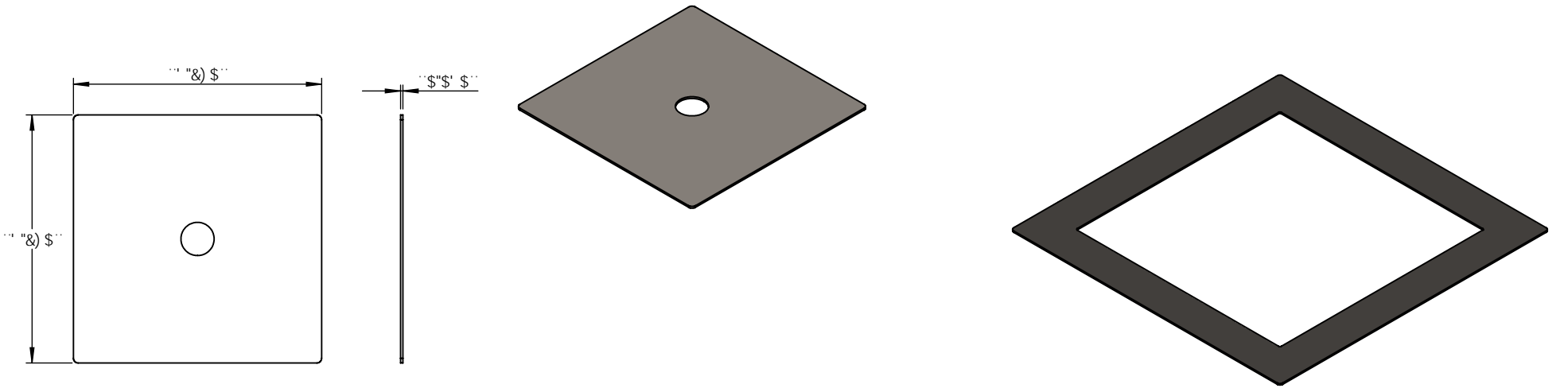
DFC DF-5FM5B87CB: 89B1H5@
 H:9 B: CFA 5HC B 7 C B15 B98 B H:6
 8F5K B: 6H:9GC @DFC D9FHMC:
 OBG9FH7 CA D5BMB5A 9<9F92" 5BM
 F9DFC 81 7 HC B B D5FHCF 5G5 K <C @
 K H:C1 H:9K F H9B D9FA 6GC B C:
 OBG9FH7 CA D5BMB5A 9<9F92 6
 DFC <6#98*

		I B @GGC H:9FK 69GD97 ÷ 98.		B5A 9	85H9	&&; 51; 9		
		8 A 9BG@ BG5F9 B B7 <9G HC @F5B7 9G : F57 HC B5 @± 5B: I @F: A 57 <±69B8 ± HK C D@57 9897 A 5@± H: F99D@57 9897 A 5@±	8F5K B 7 <97 ?98 9B: 5DDF" A: : 5DDF"					H#@. D5 @%/%\$@C F6!K : !' \$?
		B H9FDF 9H: 9C A 9FF 7 HC @F5B7 B: D9F. A 5H9F 5@	E "5" 7 C A A 9BHG			G#9 5	8K; "'BC"	
	B9LH5GGM	I G98 C B	: B<			G7 5 @. %'	K 9 ÷ <H'	G<99H* C: %
	5DD@7 5HC B	8C B CHG7 5 @98F5K B:						



DFC DF-5FM5B87CB: 89BH5@
 H:9 B: CFA 5HC B 7 C B H 5 B 98 B H:6
 8F5K B: 6H:9GC @DFC D9FHC:
 OBG9FH7CA D5BMB5A 9<9F92" 5BM
 F9DFC 81 7 HC B B D5FHCF 5G5 K <C @
 K H:C1 H:9K F H9B D9FA 6GC B C:
 OBG9FH7CA D5BMB5A 9<9F92 6
 DFC <6H98"

		I B @GGCH:9FK 69GD97 ÷ 98.		B5A 9	85H9	88; 51; 9		
		8A 9BGCBG5F9B B7<9G HC @F5B7 9G :F57 HC B5 @± 5B: I @F: A 57 <±69B8 ± HK C D@579897 A 5@± H:F99D@579897 A 5@±	8F5K B 7 <97 ?98 9B: 5DDF" A: : 5DDF"					H#@.
		BH9DF9H: 9CA 9FF 7 HC @F5B7 B: D9F. A 5H9F 5@	E "5" 7CA A 9BHG			D5 @%\$@C F6:K :!' \$?		
B9LH5GGM	I G98 CB	:B<				G#9 5	8K; "'BC"	F9J
5DD@7 5HC B	8C B CHG75 @8F5K B:					G7 5 @. %&	K 9 ÷ <H'	G<99H+C: %&



DFC DF-915FM5B87CB: 89BH5@
 H:9 B: CFA 5HC B 7 C B H 5 B 98 B H:6
 8F5K B: 6H:9 GC @DFC D9FHMC:
 OBG9FH7CA D5BMB5A 9<9F92" 5BM
 F9DFC 81 7 HC B B D5FHCF 5G5 K <C @
 K H:C I H:9K F H:9B D9FA 6GC B C:
 OBG9FH7CA D5BMB5A 9<9F92 6
 DFC <6#98"

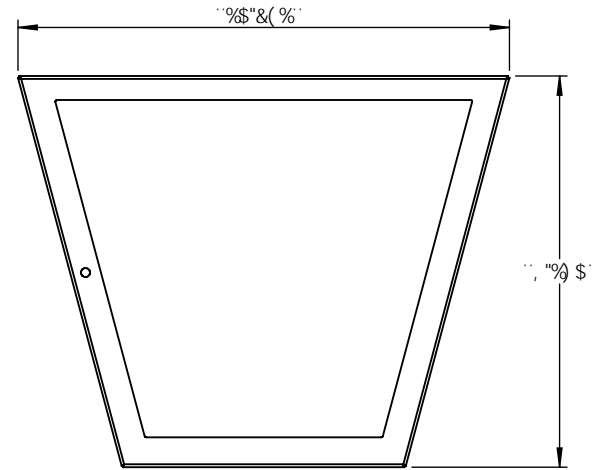
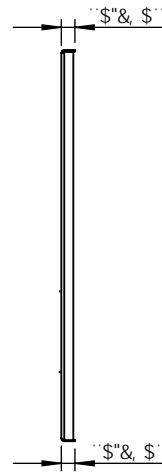
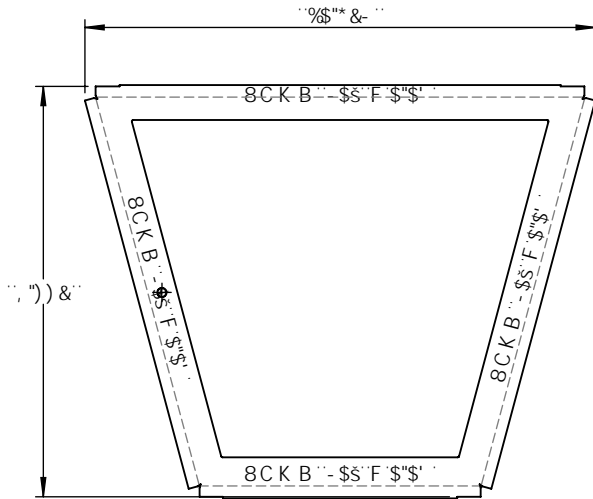
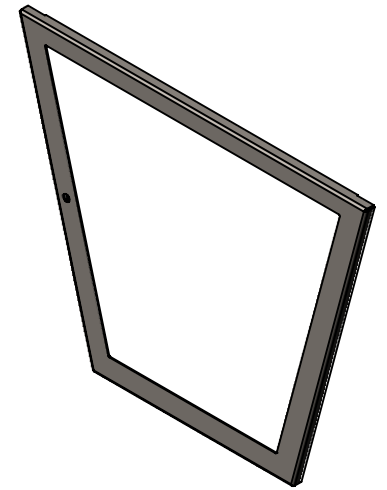
		I B @GGCH:9FK 69 GD97 ÷ 98.		B5A 9	85H9	&&; 51; 9	
		8 A 9BG C BG5F9 B B7 <9G HC @F 5B7 9G ; F57 HC B5 @± 5B; I @F: A 57 <±69B8 ± HK C D@57 9897 A 5@± H: F99D@57 9897 A 5@±	8F5K B			H#@.	
		B H F D F 9H: 9C A 9F 7 HC @F 5B7 B: D9F.	7 <97 ?98			D5 @%\$@C F 6!K : !' \$?	
		A 5HF 5@	9B: 5DDF"			G#9 8K; "'BC"	
	B9LH5GGM	I G98 CB	A: 5DDF"			F9J	
		: B <	E "5"			G7 5 @. %&)"K 9 ÷ <H'	
	5DD@7 5HC B	8C B CHG7 5 @98F5K B:	7 C A A 9BHG			G<99H, 'C: '%(

)

(

&

%



DFC DF-915FM5B87CB: 89BH5@
 H:9 B: CFA 5HC B 7 C B H5 B 98 B H:6
 8F5K B: 4GH:9GC @DFC D9FHMC:
 OBG9FH7 CA D5BMB5A 9<9F92" 5BM
 F9DFC 81 7 HC B B D5FHCF 5G5 K <C @
 K H:C I HH:9K F H9B D9FA 6GC B C:
 OBG9FH7 CA D5BMB5A 9<9F92 4
 DFC <6#98"

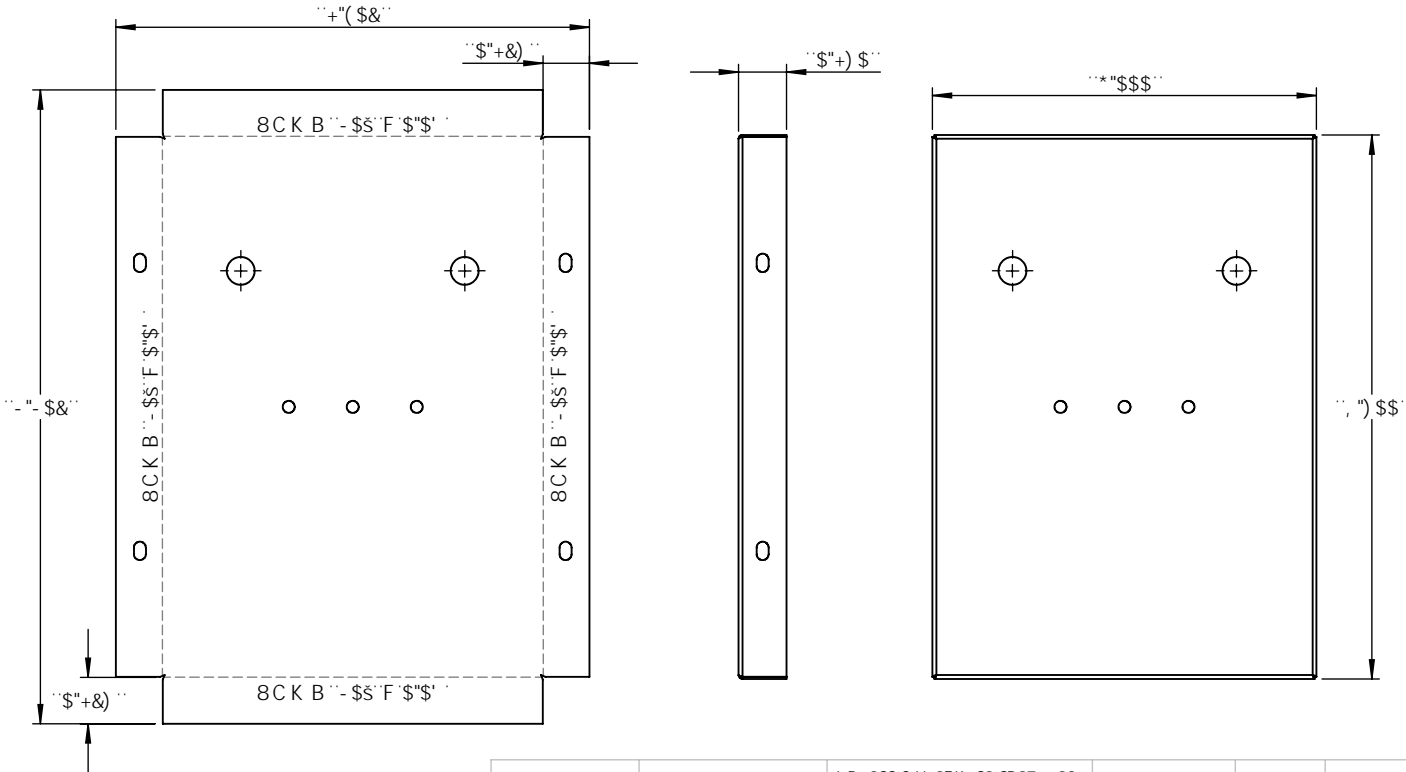
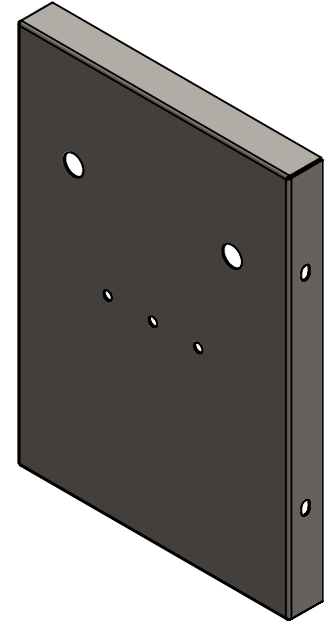
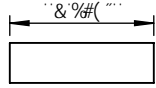
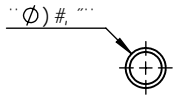
		I B @GGCH:9FK 69GD97 ÷ 98.	B5A 9	85H9	&&; 51; 9
		8 A 9BG C BG5F9 B B7 <9G HC @F5B7 9G :F57 HC B5@± 5B: I @F: A 57 <±69B8 ± HK C D@579897 A 5@± H:K F99D@579897 A 5@±	8F5K B		
		B H9FDF9H: 9C A 9FF 7 HC @F5B7 B: D9F.	7 <97 ?98		D5 @%\$@C F 6!K :!' \$?
		A 5H9F 5@	9B: 5DDF"		
	B9LH5GGM	I G98 C B	A: : 5DDF"		G#9 8K; ""BC" F9J
			E "5"		
	5DD@7 5HC B	8C B CHG75 @98F5K B:	7 C A A 9BHG		G7 5 @. % (K 9 ÷ <H' G<99H- 'C: % (

)

(

&

%



DFC DF-5FM5B87CB: 89BH5@
 H:9 B: CFA 5HC B 7 C B15 B98 B H:6
 8F5K B: 6H:9GC @DFC D9FHMC:
 OB9FH7 CA D5BMB5A 9<9F92" 5BM
 F9DFC 81 7 HC B B D5FHCF 5G5 K <C @
 K H:C1 H:9K F H9B D9FA 6GC B C:
 O:BG9FH7 CA D5BMB5A 9<9F92 6
 DFC <6H98"

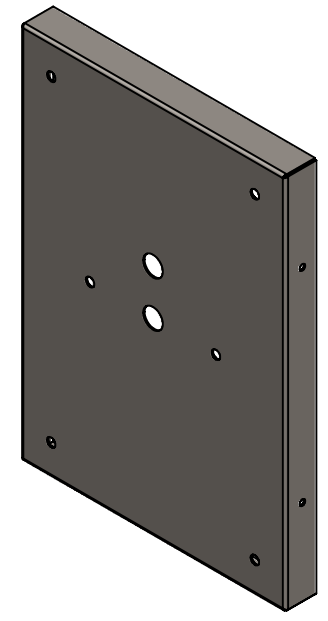
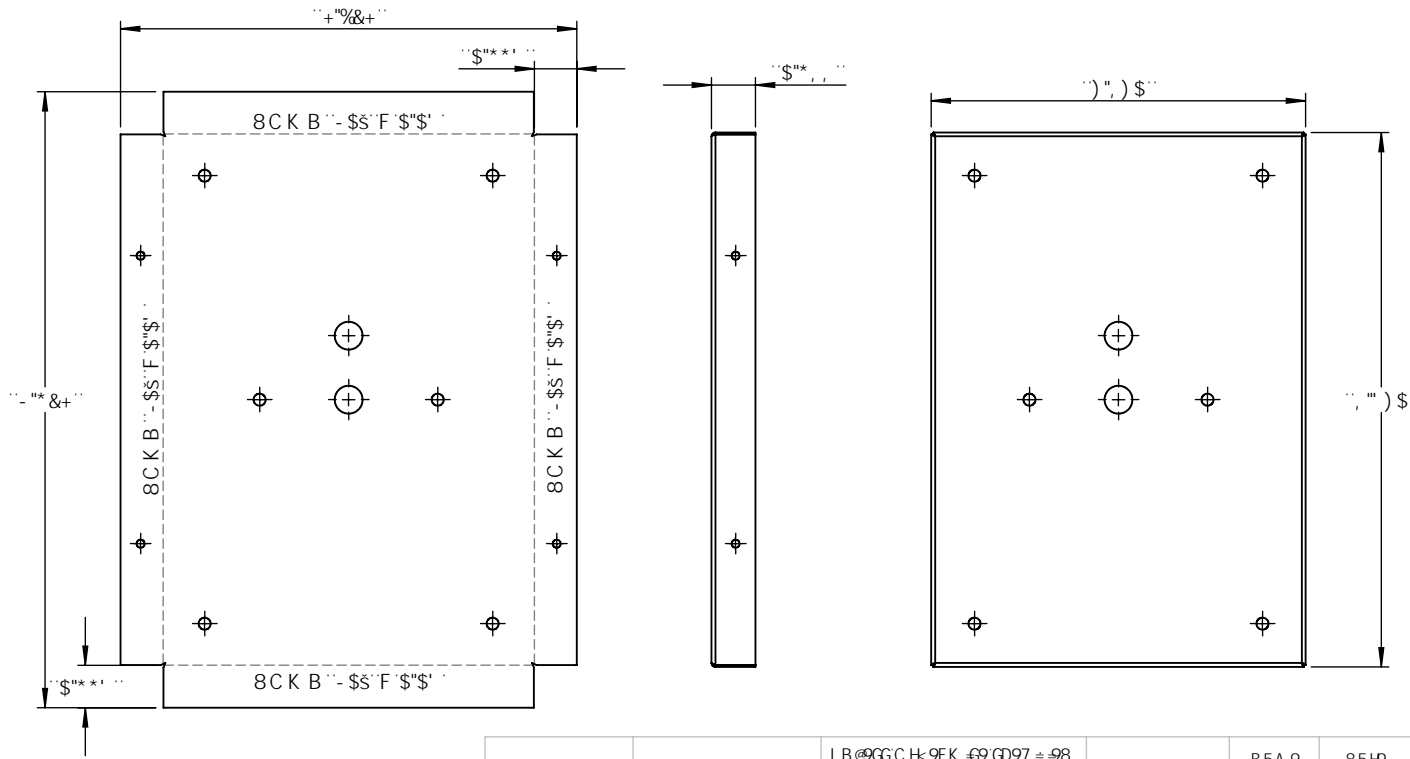
		I B @GGCH:9FK 69 GD97 ÷ 98.	B5A 9	85H9	&&; 51; 9
		8 A 9BGC BG5F9 B B7 <9G HC @F5B7 9G ; F57 HC B5 @± 5B; I @F: A 57 <±69B8 ± HK C D@57 9897 A 5 @± H:KF99D@57 9897 A 5 @±	8F5K B		
		B H9DFDF9H: 9CA 9FF 7 HC @F5B7 B: D9F.	7 <97 ?98		D5 @%\$@C F6!K :!' \$?
		A 5H9F 5@	9B: 5DDF"		
	B9LH5GGM	I G98 CB	A: 5DDF"		G#9 8K; "BC" F9J
			E "5"		
			7 C A A 9BHG		G7 5 @. %' K 9 ÷ <H' G<99H%\$'C: %
	5DD@7 5HC B	8C B CHG7 5 @98F5K B:			

)

(

&

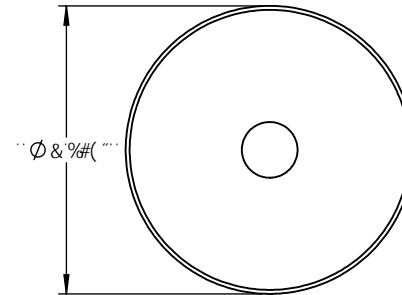
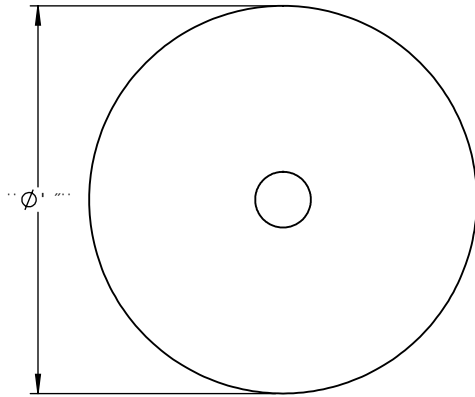
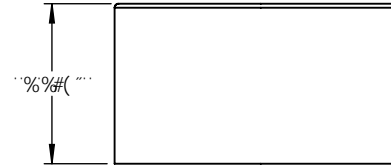
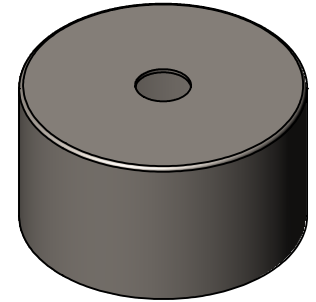
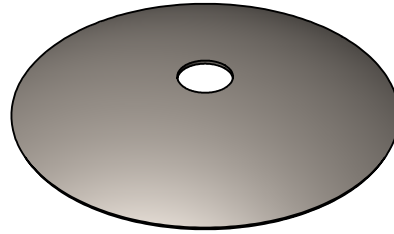
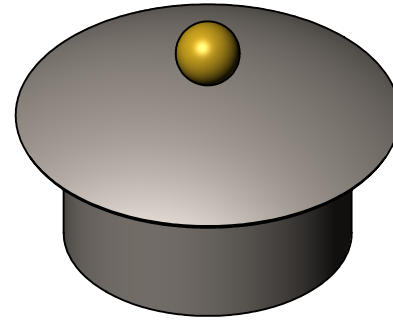
%



DFC DF-5FM5B87CB: 89BH5@
 H:9 B: CFA 5HC B 7 C B H5 B 98 B H:6
 8F5K B: 4GH:9GC @DFC D9FHVC:
 OBG9FH7CA D5BMB5A 9<9F92" 5BM
 F9DFC 81 7HC B B D5FHCF 5G5 K <C @
 K H:C I H:9K F H9B D9FA 6GC B C:
 OBG9FH7CA D5BMB5A 9<9F92 6
 DFC <6#98"

		I B @GGCH:9FK 69GD97 ÷ 98.		B5A 9	85H9	88; 51; 9		
		8 A 9BG C BG5F9 B B7 <9G HC @F5B7 9G :F57 HC B5 @± 5B: I @F: A 57 <±69B8 ± HK C D@57 9897 A 5@± H:F99D@57 9897 A 5@±	8F5K B 7 <97 ?98 9B: 5DDF" A: 5DDF"					H#@.
		BH9DF9H: 9CA 9FF 7 HC @F5B7 B: D9F. A 5HF 5@	E "5" 7 C A A 9BHG			D5 @%\$@C F 6!K : !' \$?		
B9LH5GGM	I G98 CB	: B 6<				G#9 5	8K; ""BC"	F9J
5DD@7 5HC B	8C B CHG75 @98F5K B:					G7 5 @. '%'	K 9 ÷ <H'	G<99H%&C: '%

#9A 'BC "	D5FHBI A 69F	89G7 F-DHC B	E HM
%	D5 @%\$@C F6!K :!' \$?!HC D'GDI B '7 5D	GDI B '&& ; 51 ; 9	%
#9A 'BC "	D5FHBI A 69F	89G7 F-DHC B	E HM
%	A 58(' &\$@C F6!5!(%?!HC DFC @98 '7 #7 @	&& ; 51 ; 9	%



DFC DF-915FM5B87CB: 89B H5@
 H:9 B: CFA 5HC B 7 C B H5 B 98 B H:6
 8F5K B: 6H:9 GC @DFC D9F HVC:
 O B G9F H7 C A D5B MB 5A 9 < 9F 92" 5 BM
 F9DFC 81 7 HC B B D5FHCF 5G5 K < C @
 K H: C I H H: 9 K F H H B D9FA GGC B C:
 O B G9F H7 C A D5B MB 5A 9 < 9F 92 G
 DFC < 6 #98 "

		I B @GGC H: 9FK @9 GD97 ÷ 98.		B5A 9	85H9	GDI B '&& ; 51 ; 9	
		8 A 9BG@ BG5F9 B 'B7 < 9G HC @F 5B7 9G : F57 HC B5 @± 5B: I @F: A 57 < ± 69B 8 ± K C D @5 7 9 8 97 A 5 @ ± H: F99 D @5 7 9 8 97 A 5 @ ±	8F5K B 7 < 97 ? 98 9B: 5DDF" A: 5DDF"			H#@. D5 @%\$@C F6!K :!' \$?	
		B H F D F 9H: 9C A 9F 7 HC @F 5B7 B: D9F. A 5 H F 5 @	E "5" 7 C A A 9BHG			G A 9 5	8K ; "'BC" F9J
B9LH5GGM	I G98 CB	: B @<				G7 5 @. '%%) K 9 ÷ < H'	G < 99H % & C : '%
	5DD @ 7 5HC B	8C B CHG 7 5 @ 8F5K B:					

)

(

&

%

